

ISSUE 17; October 2015

Description

- Industry standard low cost SMD version of the HC49/4H crystal
- Resistance welded, hermetically sealed in an inert atmosphere, glass to metal seals on leads
- Lead wires are mounted onto a plastic former to create a gull wing mount
- Low profile versions available please contact our sales offices for details
- Stock parts available

Frequency Parameters

- Frequency 3.2MHz to 100.0MHz
- Frequency Tolerance $\pm 10.00\text{ppm}$ to $\pm 100.00\text{ppm}$
- Tolerance Condition @ 25°C $\pm 2^\circ\text{C}$
- Frequency Stability $\pm 15.00\text{ppm}$ to $\pm 500.00\text{ppm}$
- Ageing $\pm 5\text{ppm typ per year @ } 25^\circ\text{C}$

Electrical Parameters

- Load Capacitance (CL) 10.0pF to 75.0pF
- Shunt Capacitance (C0) 7pF max
- Drive Level 500 μW max

Operating Temperature Ranges

- 0 to 50°C
- -10 to 60°C
- -20 to 70°C
- -30 to 80°C
- -40 to 85°C
- -55 to 105°C

Environmental Parameters

- Shock: 981m/s², 6ms, 3 times in each of 3 mutually perpendicular planes
- Vibration: 10Hz-60Hz, 0.75mm amplitude, 60Hz-500Hz, 98.1m/s², 30mins in 3 mutually perpendicular planes
- Storage Temperature Range: -55 to 125°C

Ordering Information

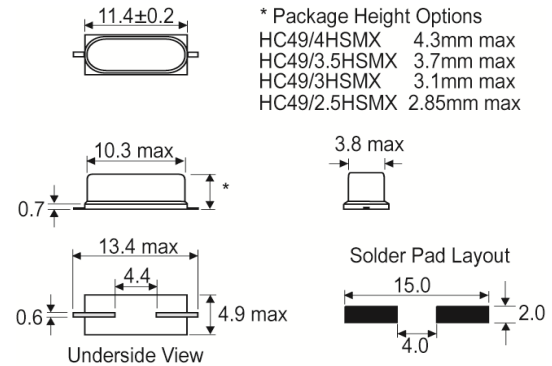
- Frequency*
- Model*
- Frequency Tolerance (@ 25°C)*
- Frequency Stability (over operating temperature range)*
- Operating Temperature Range*
- Load Capacitance*
- Overtone*
- (*minimum required)
- Example
- 10.00MHz HC49/4HSMX
- 50/50/-40 to 85C/10 FUND

Compliance

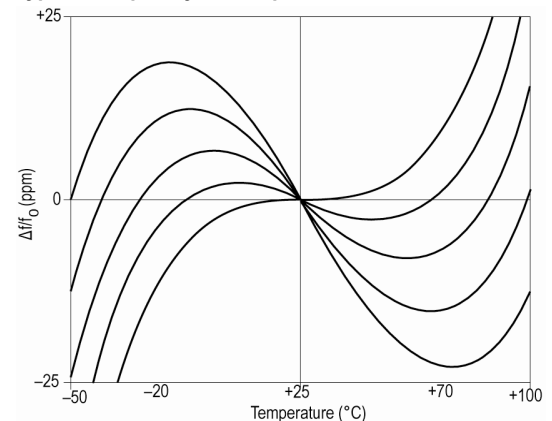
- RoHS Status (2011/65/EU) Compliant
- REACH Status Compliant
- MSL Rating (JDEC-STD-033): Not Applicable



Outline (mm)



Typical Frequency vs Temperature Curves



Sales Office Contact Details:

UK: +44 (0)1460 270200
Germany: 0800 1808 443

France: 0800 901 383
USA: +1 408.273.4530

Email: info@iqdfrequencyproducts.com
Web: www.iqdfrequencyproducts.com

Packaging Details

- Pack Style: R250 Tape & reel of 250pcs
Pack Size: 250
- Pack Style: R500 Tape & reel of 500pcs
Pack Size: 500
- Pack Style: Bulk Loose in bulk pack
Pack Size: 100
- Pack Style: Cutt In tape, cut from a reel
Pack Size: 100
- Pack Style: Reel Tape & reel in accordance with EIA-481-D
Pack Size: 1,000

Electrical Specification - maximum limiting values

Frequency Min	Frequency Max	Temperature Range	Stability (min)*	Over Tone Order	ESR
		°C	ppm		Ω
3.2MHz	3.999999MHz	0 to 50 -10 to 60 -20 to 70 -30 to 80 -40 to 85 -55 to 105	±15 ±20 ±20 ±25 ±30 ±100	Fundamental	300
4.0MHz	5.499999MHz	0 to 50 -10 to 60 -20 to 70 -30 to 80 -40 to 85 -55 to 105	±15 ±20 ±20 ±25 ±30 ±100	Fundamental	130
5.5MHz	7.999999MHz	0 to 50 -10 to 60 -20 to 70 -30 to 80 -40 to 85 -55 to 105	±15 ±20 ±20 ±25 ±30 ±100	Fundamental	60
8.0MHz	39.999999MHz	0 to 50 -10 to 60 -20 to 70 -30 to 80 -40 to 85 -55 to 105	±15 ±20 ±20 ±25 ±30 ±100	Fundamental	40
26.0MHz	100.0MHz	0 to 50 -10 to 60 -20 to 70 -30 to 80 -40 to 85 -55 to 105	±15 ±20 ±20 ±25 ±30 ±100	3rd Overtone	100

*Stability Maximum values ±500ppm

This document was correct at the time of printing; please contact your local sales office for the latest version.

[Click to view latest version on our website.](#)

Sales Office Contact Details:

UK: +44 (0)1460 270200

Germany: 0800 1808 443

France: 0800 901 383

USA: +1 408.273.4530

Email: info@iqdfrequencyproducts.com

Web: www.iqdfrequencyproducts.com

X-ON Electronics

Largest Supplier of Electrical and Electronic Components

Click to view similar products for IQD manufacturer:

Other Similar products are found below :

[LFOCXO063803BULK](#) [LFSPXO056242CUTT](#) [LFMCXO063767BULK](#) [LFMCXO063773BULK](#) [LFOCXO063809BULK](#)
[LFTCXO063709BULK](#) [LFTCXO063710BULK](#) [LFTCXO063779BULK](#) [LFTCXO063781BULK](#) [LFTCXO070028Cutt](#)
[LFTVXO063701BULK](#) [LFTVXO063702BULK](#) [LFTVXO063703BULK](#) [LFTVXO063707BULK](#) [LFTVXO063791BULK](#) [LFXTAL003215](#)
[LFMCXO063766BULK](#) [LFMCXO063771BULK](#) [LFOCXO063816BULK](#) [LFTCXO063713BULK](#) [LFTCXO063714BULK](#)
[LFTCXO063716BULK](#) [LFTVXO063704BULK](#) [LFTVXO063705BULK](#) [LFTVXO063706BULK](#) [LFTVXO063789BULK](#)
[LFTVXO063790BULK](#) [LFOCXO063809](#) [LFSPXO009581](#) [LFTCXO063784](#) [LFTVXO063786](#) [SPXO009437-CFPS-73](#) [LFSPXO009686Bulk](#)
[LFSPXO023543Bulk](#) [LFOCXO067293Bulk](#) [LFMISC075710Bulk](#) [LFSPXO076024Cutt](#) [LFMCXO064079BULK](#) [LFOCXO067293](#)
[LFMCXO064077BULK](#) [LFTVXO063785BULK](#) [LFXTAL012312BULK](#) [LFTCXO063780BULK](#) [LFXTAL003224](#) [LFSPXO009592CUTT](#)
[LFPTXO000295Bulk](#) [LFMISC070550Bulk](#) [LFOCXO063802BULK](#) [LFMCXO064080BULK](#) [LFSPXO009615Bulk](#)