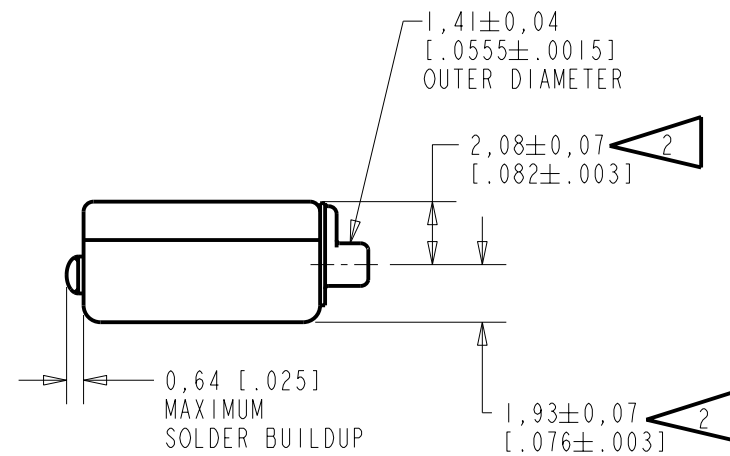
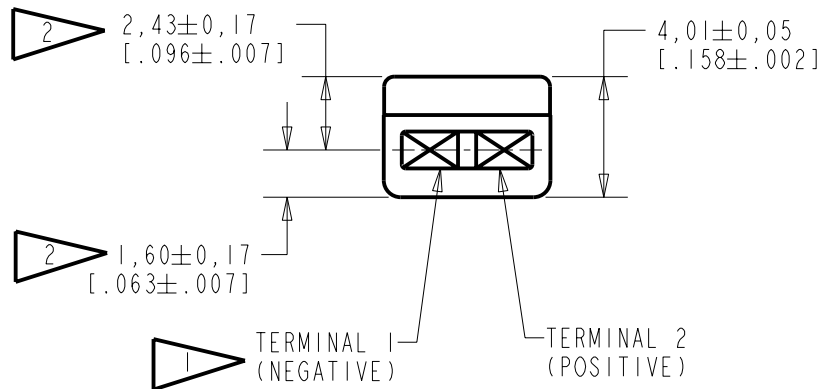
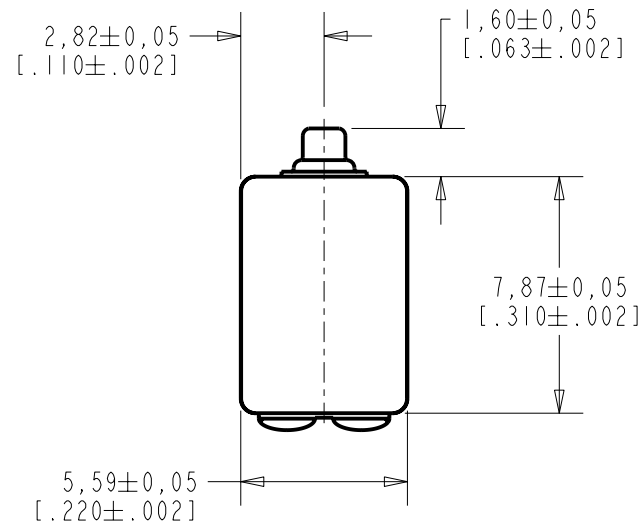
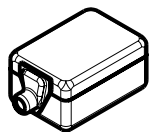


**BK-28507-000**  
SHT 1.1



NOTES:

- 1 A POSITIVE GOING VOLTAGE AT TERMINAL 2, RELATIVE TO TERMINAL 1, CAUSES A DECREASE IN PRESSURE AT THE SOUND OUTLET.
- 2 LOCATED FROM TWO SURFACES FOR CUSTOMER COVENIENCE. ONLY APPLICABLE FROM ONE SURFACE, NOT TO BE USED TOGETHER. HORIZONTAL LOCATION FOR TERMINAL CENTERED TO  $\pm 0,17$  [.007].



SCALE 2:1  
NOMINAL WEIGHT .66 GRAM  
DIMENSIONS IN MILLIMETERS [INCHES]

**KNOWLES ELECTRONICS**  
ITASCA, ILLINOIS U.S.A.

| Revision             | C.O. #    | Implementation Date | RELEASE LEVEL | REVISION |
|----------------------|-----------|---------------------|---------------|----------|
| A                    | CI0103461 | 1-17-06             | Released      | A        |
| SCALE: 4:1           |           |                     | DR. BY        | DATE     |
| DO NOT SCALE DRAWING |           |                     | CRG           | 1-17-06  |
| TITLE: RECEIVER      |           |                     | CK. BY        | DATE     |
| OUTLINE DRAWING      |           |                     | GJP           | 1-19-06  |
| BK-28507-000         |           |                     | APP. BY       | DATE     |
| SHT 1.1              |           |                     | GJP           | 1-19-06  |

|           |       |       |
|-----------|-------|-------|
| 800       | 111.0 | 121.5 |
| 750       | 113.5 | 123.0 |
| 900-1300  | 123.0 | 129.0 |
| 1500-1900 | 114.0 | 120.0 |
| 2100-2700 | 118.5 | 125.5 |
| 2700-3300 | 113.0 | ---   |
| 3400-4000 | 117.0 | 124.0 |
| 4000-4400 | 113.0 | ---   |
| 4900-5500 | 102.0 | ---   |

3. RESPONSE, IMPEDANCE, AND DISTORTION MEASUREMENTS MADE USING THE ELECTRICAL TEST CONDITIONS SHOWN BELOW.
4. ELECTRICAL SOURCE IMPEDANCE MUST BE "EQUAL TO NOMINAL" 1KHz IMPEDANCE FOR TEST CONDITIONS SHOWN BELOW.
5. INDIVIDUAL SPECIFICATIONS.

| PORT LOCATION | IMPEDANCE OHMS $\pm 15\%$ |       | DCR @20°C OHMS $\pm 10\%$ | DISTORTION |         | ELECTRICAL TEST CONDITIONS |       | SOURCE IMPEDANCE |
|---------------|---------------------------|-------|---------------------------|------------|---------|----------------------------|-------|------------------|
|               | 1KHz                      | 500Hz |                           | MAX. %     | FREQ Hz | AC V RMS                   | DC mA | OHMS             |
| 12S           | 30                        | 13.3  | 10.7                      | 10         | 500     | 0.35                       | 0.0   | 30               |

| Revision | C.O. #    | Implementation Date | RELEASE LEVEL   | REVISION |
|----------|-----------|---------------------|-----------------|----------|
|          |           |                     | <b>Released</b> | <b>A</b> |
| A        | C10103461 | 1-17-06             |                 |          |

**KNOWLES ELECTRONICS**  
ITASCA, ILLINOIS U.S.A.

WHEN TEST LIMITS ARE USED TO ESTABLISH INCOMING INSPECTION ACCEPTANCE/REJECTION CRITERIA, CORRELATION OF TEST EQUIPMENT WITH KNOWLES IS ALSO REQUIRED FOR ELIMINATION OF EQUIPMENT AND TEST METHOD VARIATION

DR. BY DATE  
CRG 1-17-06

CK. BY DATE  
GJP 1-19-06

TITLE: **RECEIVER**  
PERFORMANCE SPECIFICATION

**BK-28507-000**  
**SHT 2.1**

APP. BY DATE  
GJP 1-19-06

## X-ON Electronics

Largest Supplier of Electrical and Electronic Components

*Click to view similar products for [Knowles](#) manufacturer:*

Other Similar products are found below :

[FG-23329-C05](#) [BK-28562-000](#) [CB-22850-000](#) [SPH1611LR5H-1](#) [TO-24611-000](#) [FB-EM-30342-000](#) [UL-0805-KITSET32-AB](#) [AUTO-AECQ-HV-KIT45](#) [0805Y0500104JXT](#) [KAS-700-0150](#) [SBSGP5000103MXB](#) [HE-31751-000](#) [UL-0603-KITSET34-AB](#) [ED-26821-000](#) [8131M5000274MXC42](#) [KAS-700-0145](#) [1812Y1K00103KST](#) [KAS-700-0151](#) [FK-23451-000](#) [2900-253091](#) [SBSGC5000102MXB](#) [2220Y1K20224KXTWS2](#) [FB-FO-23225-000](#) [KAS-700-0152](#) [BK-21613-000](#) [FED-30027-I24](#) [GU-32829-000](#) [FED-27926-I04](#) [KAS-700-0137](#) [KAS-700-0148](#) [5100-253441](#) [WBFK-30000-000](#) [BF-3163-000](#) [FED-30048-I04](#) [DWFK-31785-000](#) [EH-27479-000](#) [KAS-33100-0004](#) [5100-253447](#) [BJ-28471-000](#) [BF-3034-000](#) [2800-253325](#) [BK-21610-000](#) [TO38-30702-B20](#) [KAS-700-0146](#) [EC-27817-000](#) [CI-22960-000](#) [2800-253788](#) [BU-23842-000](#) [FG-23453-C05](#) [CI-30050-000](#)