

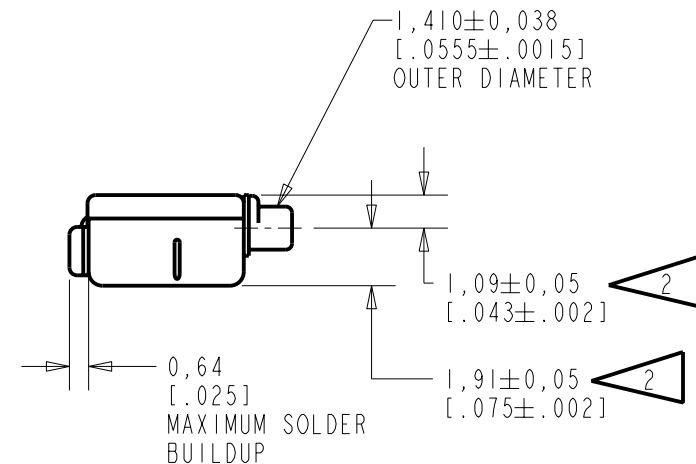
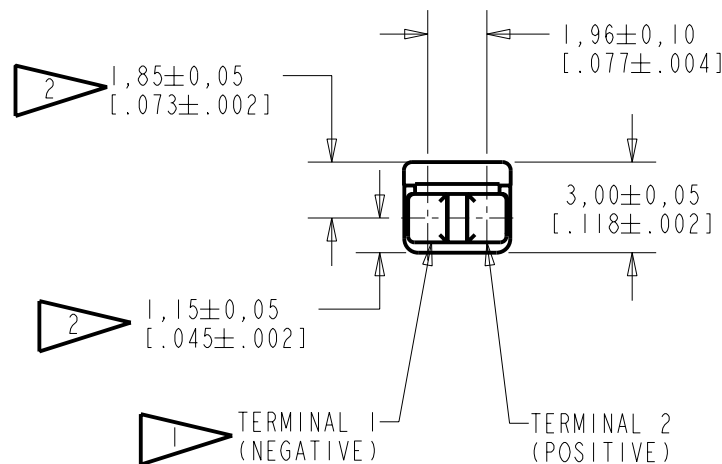
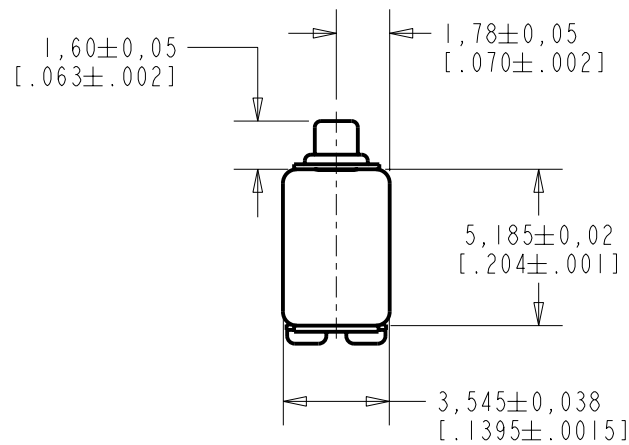


EH-23030-000

SHT 1.1

NOTES:

-  A POSITIVE GOING VOLTAGE AT TERMINAL 2, RELATIVE TO TERMINAL 1, CAUSES A DECREASE IN PRESSURE AT THE SOUND OUTLET.
-  LOCATED FROM TWO SURFACES FOR CUSTOMER CONVENIENCE. ONLY APPLICABLE FROM ONE SURFACE, NOT TO BE USED TOGETHER. HORIZONTAL LOCATION FOR TERMINAL CENTERED TO $\pm 0,17$ [.007].



NOMINAL WEIGHT
.23 GRAMS DIMENSIONS IN MILLIMETERS [INCHES]

KNOWLES ELECTRONICS
ITASCA, ILLINOIS U.S.A.

Revision	C.O. #	Implementation Date	RELEASE LEVEL	REVISION
			Released	A
A	CI0103366	11-10-05		
SCALE: 4:1				
TITLE: RECEIVER			DR. BY: AB DATE: 11-10-05	
OUTLINE DRAWING			CK. BY: GJP DATE: 11-21-05	
EH-23030-000			APP. BY: GJP DATE: 11-21-05	
SHT 1.1				

3. RESPONSE, IMPEDANCE, AND DISTORTION MEASUREMENTS MADE USING THE ELECTRICAL TEST CONDITIONS SHOWN BELOW.
4. ELECTRICAL SOURCE IMPEDANCE MUST BE GREATER THAN 20 TIMES 1KHz IMPEDANCE FOR TEST CONDITIONS SHOWN BELOW.
5. INDIVIDUAL SPECIFICATIONS.

PORT LOCATION	IMPEDANCE OHMS ±15%		DCR @20°C OHMS ±10%	DISTORTION		ELECTRICAL TEST CONDITIONS	
	1KHz	500Hz		MAX. %	FREQ Hz	AC mA RMS	DC mA
12C	1055	625	395	10	800	0.71	1.00

Revision	C.O. #	Implementation Date	RELEASE LEVEL	REVISION
			Released	A
A	C10103366	11-10-05		

KNOWLES ELECTRONICS
ITASCA, ILLINOIS U.S.A.

WHEN TEST LIMITS ARE USED TO ESTABLISH INCOMING INSPECTION ACCEPTANCE/REJECTION CRITERIA, CORRELATION OF TEST EQUIPMENT WITH KNOWLES IS ALSO REQUIRED FOR ELIMINATION OF EQUIPMENT AND TEST METHOD VARIATION

DR. BY	DATE
AB	11-10-05

TITLE:	RECEIVER	EH-23030-000
	PERFORMANCE SPECIFICATION	SHT 2.1

CK. BY	DATE
GJP	11-21-05
APP. BY	DATE
GJP	11-21-05

X-ON Electronics

Largest Supplier of Electrical and Electronic Components

Click to view similar products for [Knowles](#) manufacturer:

Other Similar products are found below :

[FG-23329-C05](#) [BK-28562-000](#) [CB-22850-000](#) [SPH1611LR5H-1](#) [TO-24611-000](#) [FB-EM-30342-000](#) [UL-0805-KITSET32-AB](#) [AUTO-AECQ-HV-KIT45](#) [0805Y0500104JXT](#) [KAS-700-0150](#) [SBSGP5000103MXB](#) [HE-31751-000](#) [UL-0603-KITSET34-AB](#) [ED-26821-000](#) [8131M5000274MXC42](#) [KAS-700-0145](#) [1812Y1K00103KST](#) [KAS-700-0151](#) [FK-23451-000](#) [2900-253091](#) [SBSGC5000102MXB](#) [2220Y1K20224KXTWS2](#) [FB-FO-23225-000](#) [KAS-700-0152](#) [BK-21613-000](#) [FED-30027-I24](#) [GU-32829-000](#) [FED-27926-I04](#) [KAS-700-0137](#) [KAS-700-0148](#) [5100-253441](#) [WBFK-30000-000](#) [BF-3163-000](#) [FED-30048-I04](#) [DWFK-31785-000](#) [EH-27479-000](#) [KAS-33100-0004](#) [5100-253447](#) [BJ-28471-000](#) [BF-3034-000](#) [2800-253325](#) [BK-21610-000](#) [TO38-30702-B20](#) [KAS-700-0146](#) [EC-27817-000](#) [CI-22960-000](#) [2800-253788](#) [BU-23842-000](#) [FG-23453-C05](#) [CI-30050-000](#)