

Insulated In-Line Banana Jack	5
Insulated Pierced Lug Terminal	5
Insulated Rib-Loc® Solder Terminal	4
Insulated Rib-Loc® Turret Terminal	2
Insulated Solder Terminal	5
Insulated Solder Type	2
Insulated Turret Terminal	4
Miniature Banana Jacks	2
Uninsulated Heavy Duty	6
Uninsulated Heavy Duty Jumbo	6
Uninsulated Rivet Panel Mount: Turret Terminal	3
Uninsulated Rivet Type, Turret Terminal Type	2
Uninsulated Standard Type: Pierced Lug Terminal	3
Uninsulated Standard Type: Slotted Lug Terminal	4

# Miniature Banana Jacks & Plugs

APPLICATION • Test equipment



INCHES (MILLIMETERS)  
CUSTOMER DRAWINGS AVAILABLE UPON REQUEST

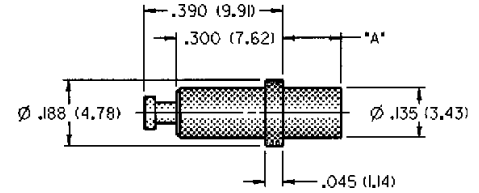
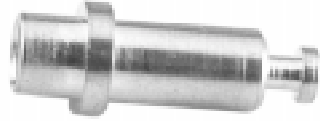
## Uninsulated Rivet Type, Turret Terminal Type

### SPECIFICATIONS

**Jack Body:** Brass per QQ-B-626D  
**Finish:** Silver

### RATINGS

**Current:** 10 amps  
**Contact Resistance:** 0.010 ohms maximum



SILVER PLATING		
PART NO.	PANEL THICKNESS	"A" DIMENSION
108-1300-501	.063 (1.6)	.105 (2.67)

**For Miniature Banana Plug: .120 (3.00) Across Flats**

### FEATURES:

- Small size; high current carrying capacity
- Solder turret for rapid wire attachment

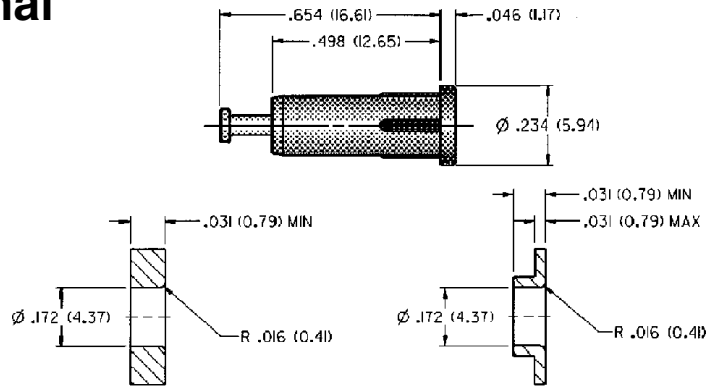
## Insulated Rib-Loc® Turret Terminal

### SPECIFICATIONS

**Contact:** Brass per QQ-B-626D  
**Finish:** Silver  
**Insulated Handle:** Nylon 6/6 per ASTM D4066  
**Panel Thickness:** Up to .313 (80)

### RATINGS

**Current:** 10 amps  
**Breakdown Voltage:** 3500 Vrms minimum †  
**Contact Resistance:** 0.010 ohms maximum  
**Contact-To-Panel C:** 2.4 pF nominal



MOUNTING HOLE OPTIONS

SILVER PLATING			
PART NO.	COLOR	PART NO.	COLOR
108-1102-001	Red	108-1103-001	Black

**For Miniature Banana Plug: .120 (3.00) Across Flats**

### FEATURES:

- Hardwareless Rib-Loc® mounting design
- Nylon UL approved for self extinguishing

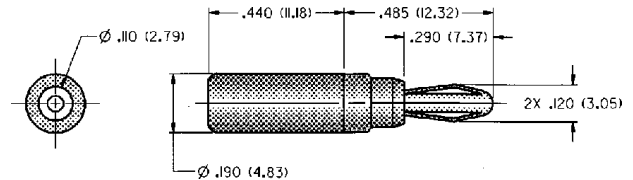
## Insulated Solder Type

### SPECIFICATIONS

**Plug Body:** Brass per QQ-B-626D  
**Plug Spring:** Beryllium copper per QQ-C-533  
**Finish:** Nickel  
**Insulated Handle:** Nylon 6/6 per ASTM D4066

### RATINGS

**Current:** 10 amps  
**Breakdown Voltage:** 3500 Vrms minimum †  
**Contact Resistance:** 0.010 ohms maximum



NICKEL PLATING			
PART NO.	COLOR	PART NO.	COLOR
108-1002-001	Red	108-1003-001	Black

**For Miniature Banana Jack: .104 (2.64) Diameter**

### FEATURES:

- Small size for limited space
- Solder terminal accepts up to 18 gauge wire
- Nylon UL approved for self extinguishing

† Avoid user injury due to misapplication. See safety advisory definitions on page 2.

## Uninsulated Rivet Panel Mount:

### Turret Terminal

#### SPECIFICATIONS

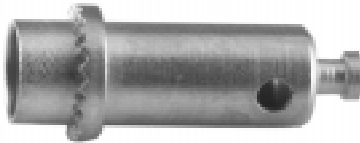
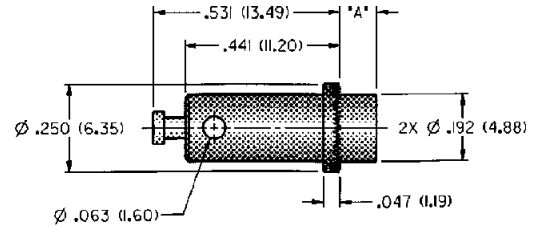
**Jack Body:** Brass per QQ-B-626D

**Finish:** Nickel

#### RATINGS

**Current:** 15 amps

**Contact Resistance:** 0.010 ohms maximum



NICKEL PLATING		
PART NO.	PANEL THICKNESS	"A"
108-2300-501	.063 (1.6)	.105 (2.67)

**For Standard Banana Plug: .175 (4.44) Across Flats**

#### FEATURES:

- Nickel plated brass body with cross hole
- Low cost, easy mounting banana jack

## Uninsulated Standard Type:

### Pierced Lug Terminal

#### SPECIFICATIONS

**Jack Body:** Brass per QQ-B-626D

**Finish:** Nickel

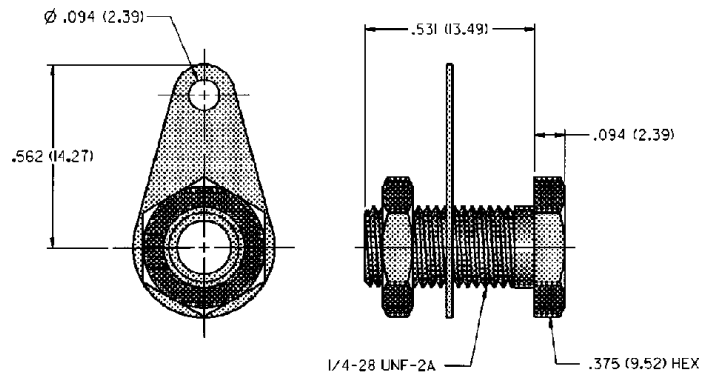
**Hardware:** Nickel plated nut; stamped tin plated solder terminal (unassembled)

**Panel Thickness:** Up to .375 (9.50)

#### RATINGS

**Current:** 15 amps

**Contact Resistance:** 0.010 ohms maximum



NICKEL PLATING	
PART NO.	
108-0740-001	

**For Standard Banana Plug: .175 (4.44) Across Flats**

#### FEATURES:

- Accepts up to 12 gauge wire
- Hex head for faster installation
- For higher current designs

† Avoid user injury due to misapplication. See safety advisory definitions on page 2.

# Banana Jacks

APPLICATION • Test Equipment • Power Supplies



INCHES (MILLIMETERS)  
CUSTOMER DRAWINGS AVAILABLE UPON REQUEST

## Uninsulated Standard Type: Slotted Lug Terminal

### SPECIFICATIONS

**Jack Body:** Brass per QQ-B-626D

**Finish:** Nickel

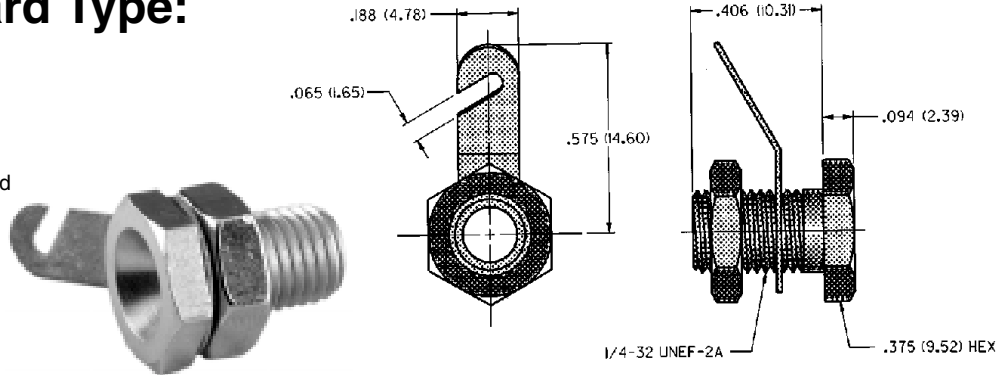
**Hardware:** Nickel plated nut; stamped tin plated solder terminal (unassembled)

**Panel Thickness:** Up to .250 (6.35)

### RATINGS

**Current:** 15 amps

**Contact Resistance:** 0.010 ohms maximum



**For Standard Banana Plug: .175 (4.44) Across Flats**

### FEATURES:

- Accepts up to 12 gauge wire
- Hex head for faster installation
- For higher current designs

NICKEL PLATING	
PART NO.	
108-0740-102	

## Insulated Rib-Loc® Solder Terminal

### SPECIFICATIONS

**Contact:** Formed brass per QQ-B-626D

**Finish:** Bright tin

**Body:** Nylon 6/6 per ASTM D4066

**Panel Thickness:** Up to .250 (6.35)

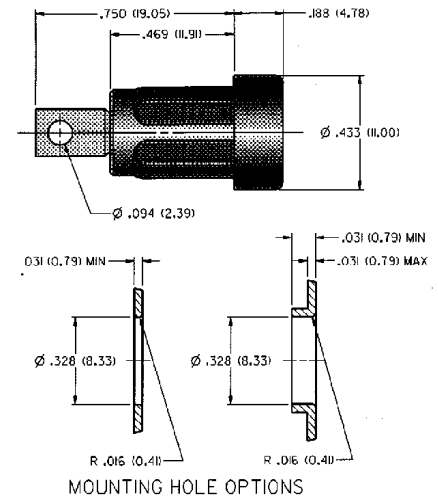
### RATINGS

**Current:** 15 amps

**Breakdown Voltage:** 7000 Vrms minimum †

**Contact Resistance:** 0.010 ohms maximum

**Contact-To-Panel C:** 2.4 pF nominal



**For Standard Banana Plug: .175 (4.44) Across Flats**

### FEATURES:

- Requires no mounting hardware
- Accepts up to 16 gauge wire
- Nylon UL approved for self extinguishing

BRIGHT TIN PLATING			
PART NO.	COLOR	PART NO.	COLOR
108-2301-801	White	108-2304-801	Green
108-2302-801	Red	108-2307-801	Yellow
108-2303-801	Black	108-2310-801	Blue

## Insulated Turret Terminal

### SPECIFICATIONS

**Contact:** Machined brass per QQ-B-626D

**Finish:** Silver

**Body:** Nylon 6/6 per ASTM D4066

**Hardware:** Nickel plated nut (unassembled)

**Body Thread Stripping Torque:** 6.0 lb. in. (7kg. cm.)

**Panel Thickness:** Up to .343 (8.80)

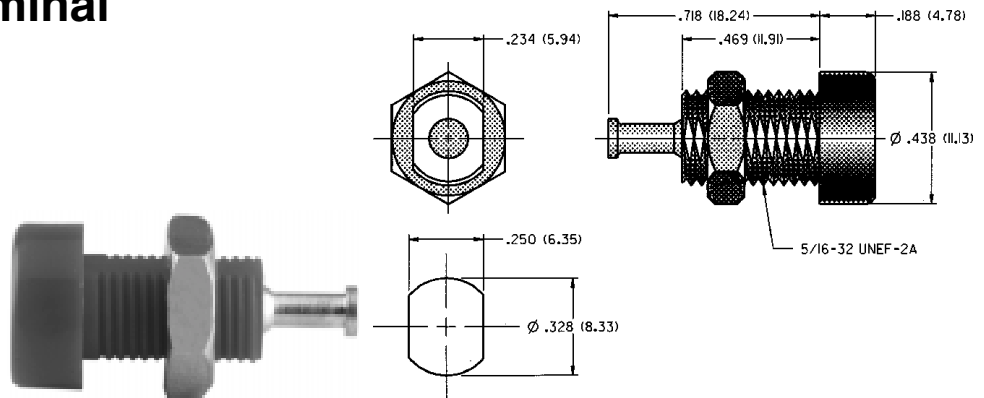
### RATINGS

**Current:** 15 amps

**Breakdown Voltage:** 7000 Vrms minimum †

**Contact Resistance:** 0.010 ohms maximum

**Contact-To-Panel:** 2.4 pF nominal



MOUNTING HOLE LAYOUT

**For Standard Banana Plug: .175 (4.44) Across Flats**

### FEATURES:

- Keyed mounting with double flats
- Nylon UL approved for self extinguishing

SILVER PLATING			
PART NO.	COLOR	PART NO.	COLOR
108-2301-621	White	108-2304-621	Green
108-2302-621	Red	108-2307-621	Yellow
108-2303-621	Black	108-2310-621	Blue

† Avoid user injury due to misapplication. See safety advisory definitions on page 2.

## Insulated Solder Terminal

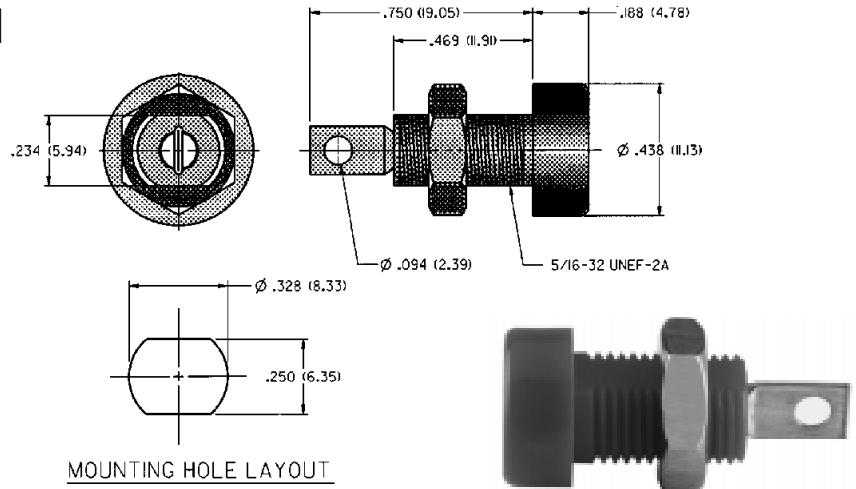
### SPECIFICATIONS

**Contact:** Formed brass per QQ-B-626D  
**Finish:** Bright tin  
**Body:** Nylon 6/6 per ASTM D4066  
**Hardware:** Nickel plated nut (unassembled)  
**Body Thread Stripping Torque:** 6.0 lb. in. (7kg. cm.)  
**Panel Thickness:** Up to .343 (8.80)

### RATINGS

**Current:** 15 amps  
**Breakdown Voltage:** 7000 Vrms minimum †  
**Contact Resistance:** 0.010 ohms maximum  
**Contact-To-Panel:** 2.4 pF nominal

BRIGHT TIN PLATING			
PART NO.	COLOR	PART NO.	COLOR
108-0901-001	White	108-0907-001	Yellow
108-0902-001	Red	108-0908-001	Brown
108-0903-001	Black	108-0910-001	Blue
108-0904-001	Green	108-0912-001	Violet
108-0906-001	Orange	108-0913-001	Gray



**For Standard Banana Plug: .175 (4.44) Across Flats**  
**FEATURES:**

- Keyed mounting with double flats
- Accepts up to 16 gauge wire
- Nylon UL approved for self extinguishing

## Insulated Pierced Lug Terminal

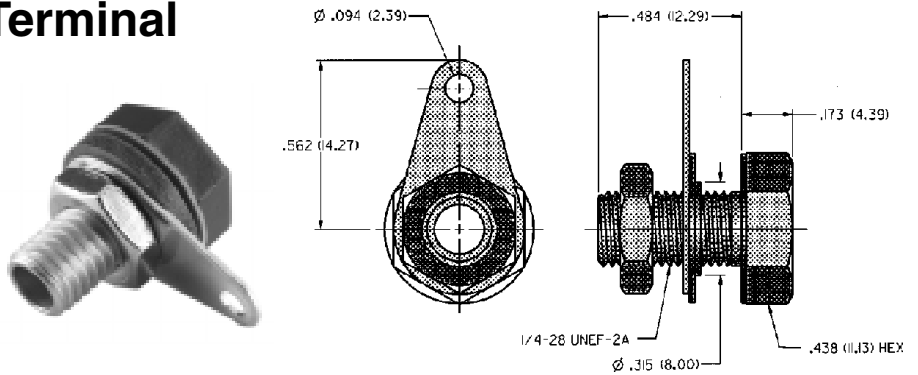
### SPECIFICATIONS

**Contact:** Brass per QQ-B-626D  
**Finish:** Nickel  
**Hex Head:** Molded phenolic  
**Hardware:** Nickel plated nut, fiber insulating washer and stamped tin plated solder terminal (unassembled)  
**Panel Thickness:** Up to .281 (7.15)

### RATINGS

**Current:** 15 amps  
**Breakdown Voltage:** 1500 Vrms minimum †  
**Contact Resistance:** 0.010 ohms maximum  
**Contact-To-Panel:** 2.4 pF nominal

NICKEL PLATING	
PART NO.	COLOR
108-0745-001	Red
108-0745-002	Black



**For Standard Banana Plug: .175 (4.44) Across Flats**  
**FEATURES:**

- Withstands extreme temperatures and abuse
- Stamped tin plated solder terminal with hole for up to 12 gauge wire
- Integrally molded hex head for fast installation

## Insulated In-Line Banana Jack

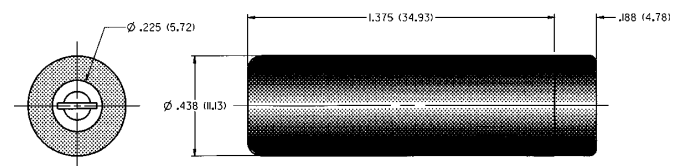
### SPECIFICATIONS

**Contact:** Formed brass per QQ-B-626D  
**Finish:** Bright Tin  
**Body:** Nylon 6/6 per ASTM D4066  
**Body Thread Stripping Torque:** 6.0 lb. in. (7kg cm)

### RATINGS

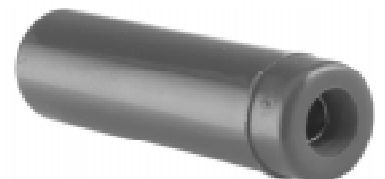
**Current:** 15 amps  
**Breakdown Voltage:** 7000 Vrms minimum †  
**Contact Resistance:** 0.010 ohms maximum  
**Contact-To-Panel:** 2.4 pF nominal

SILVER PLATING	
PART NO.	COLOR
108-0702-001	Red
108-0703-001	Black



**For Standard Banana Plug: .175 (4.44) Across Flats**  
**FEATURES:**

- Stamped contact with pierced solder terminal hole
- Nylon UL approved for self extinguishing
- Accepts wire sizes up to 16 gauge
- For in-line applications
- Includes banana jack 108-090x-001



† Avoid user injury due to misapplication. See safety advisory definitions on page 2.

# Jumbo Banana Jacks

## Uninsulated Heavy Duty

### SPECIFICATIONS

**Jack Body:** Brass per QQ-B-626D

**Finish:** Nickel

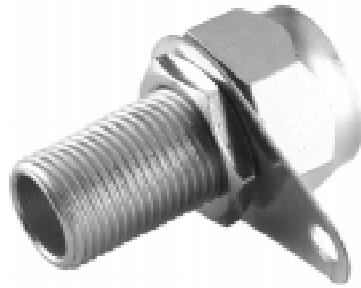
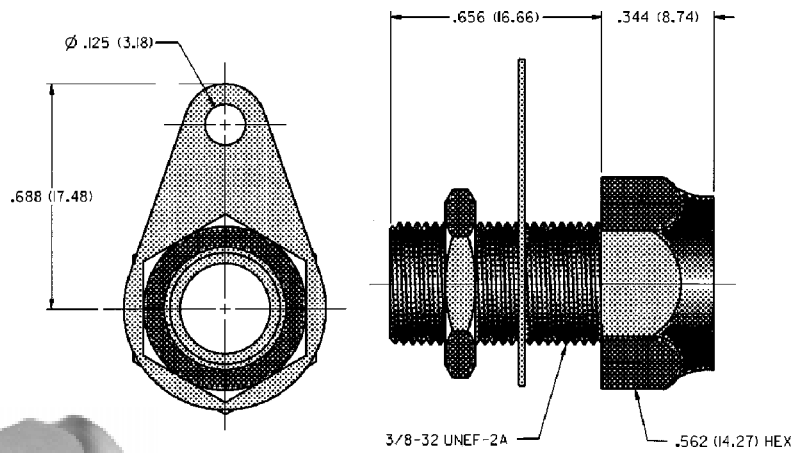
**Hardware:** Nickel plated nut; stamped tin plated solder terminal (unassembled)

**Panel Thickness:** Up to .531 (13.50)

### RATINGS

**Current:** 40 amps

**Contact Resistance:** 0.010 ohms maximum



### For Jumbo Size Banana Plug:

**.300 (7.62) Across Flats**

### FEATURES:

- For extremely high current applications
- Accepts up to 10 gauge wire
- Solder terminal with pierced hole
- Withstands severe conditions

† Avoid user injury due to misapplication. See safety advisory definitions on page 2.

<b>NICKEL PLATING</b>
<b>PART NO.</b>
108-0760-001

## X-ON Electronics

Largest Supplier of Electrical and Electronic Components

*Click to view similar products for [CINCH](#) manufacturer:*

Other Similar products are found below :

[142-0693-101](#) [142-0761-851](#) [AD1300](#) [TNGMFL1-1-78](#) [73-7792-3](#) [CBBJR79A](#) [415-0003-MM150](#) [415-0003-MM250](#) [415-0027-MM750](#)  
[415-0033-MM250](#) [415-0038-MM250](#) [415-0043-M1.5](#) [415-0081-MM150](#) [415-0081-MM200](#) [415-0030-MM150](#) [415-0032-MM500](#) [142-0721-882](#) [147-0801-801](#) [147-0901-821](#) [134-1000-027](#) [135-3711-202](#) [142-0711-202](#) [HP437](#) [415-0033-006](#) [1-150](#) [18-140-P](#) [21-160-L](#) [3/4W140](#)  
[41G](#) [5-542](#) [50-12S-30-2](#) [50-50S-30-2](#) [DA-24658-31](#) [DCU-37P](#) [MDC-6P08](#) [S402DB](#) [S408DB](#) [TE-9PSH](#) [TE-9SSH](#) [TRWR-204](#) [TRWR-216](#)  
[TRWR-403](#) [57-20360](#) [DA-15S-F179-P](#) [P-306H-CCT-P](#) [DBM25S](#) [P3333SB](#) [JA83383FK](#) [DCCM37S6E5-36.0B](#) [142-1701-121](#)