



PRELIMINARY DATA

**MOSFET BASED
DC SOLID-STATE RELAY**

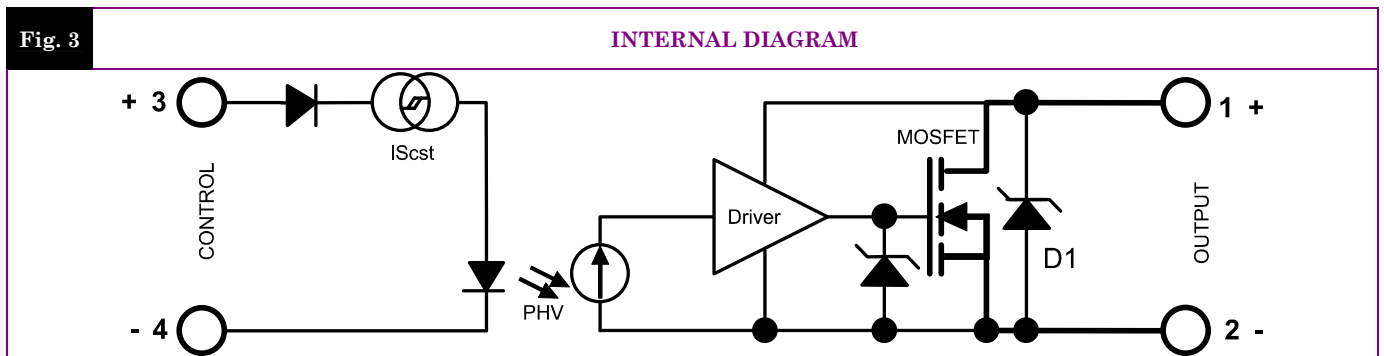
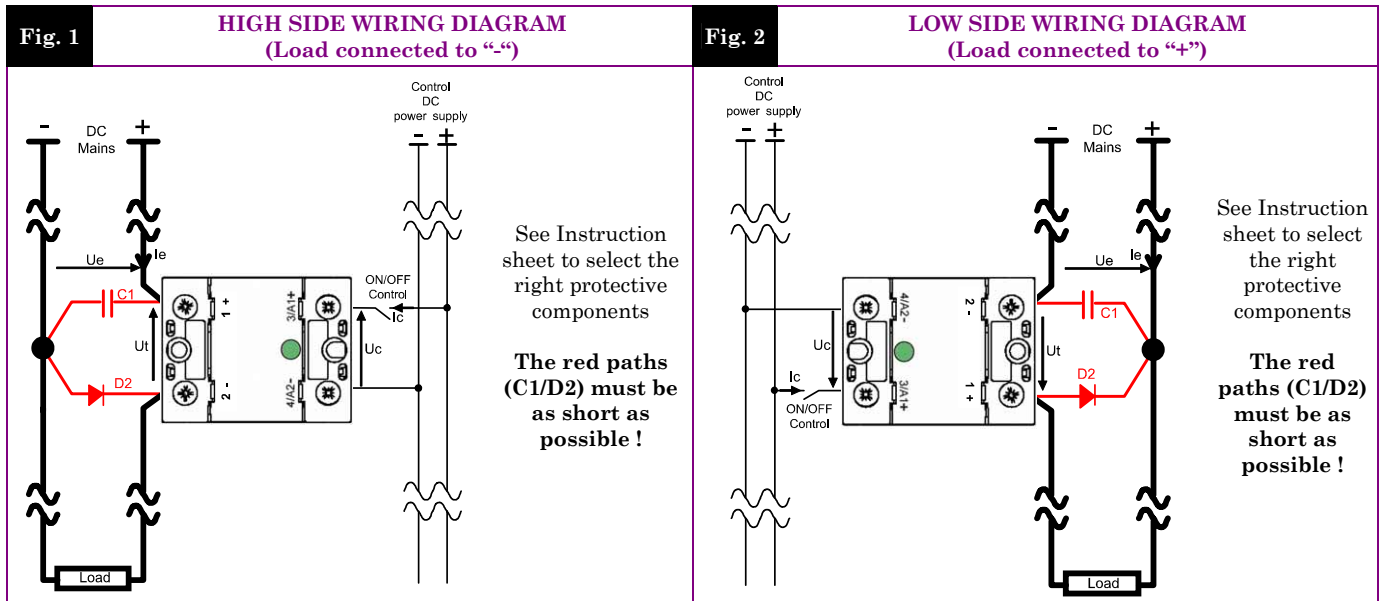
- ▶ Latest MOSFET technology generation.
- ▶ Ultra low on-state resistance.
- ▶ Low output leakage current.
- ▶ Low control current consumption.
- ▶ Built-in overvoltage protection
- ▶ Reverse protected triggered control input to avoid linear control risks
- ▶ No radiated or conducted disturbances
- ▶ Touch protected housing IP20

SOM020200



Control voltage range	3.5-32VDC
Max. permanent output voltage	110VDC
Max. load current with heatsink	20ADC

Load voltage range	Load current range	Control input voltage range	In & case / Out Insulation	Connections	Dimensions (WxHxD)	Weight
5-110VDC	Up to 20A (with heatsink)	3.5-32VDC	2.5kV	Screw terminals	45 x 58.5 x 30	80g



Proud to serve you



PRELIMINARY DATA

CONTROL INPUT CHARACTERISTICS

INPUT CIRCUIT	CHARACTERISTIC	LABEL	VALUE	INFO.
	Nom. Control voltage	Ucnom	12-24VDC	
	Min. Control current	Icmin	35mADC	-100µA/°C
	Control voltage range	Uc	3.5 – 32VDC	typical ON=3.3V
	Control current consumption	Ic	32 – 35mADC (for control voltage range)	See fig. 5
	Releasing control voltage	Ucoffmax	1VDC	typical OFF= 2.6V
	Max. reverse control voltage	-Ucmax	32VDC	-Icmax<100µA
	Input impedance	Rin	Current limitation	See fig. 5

POWER OUTPUT CHARACTERISTICS

POWER CIRCUIT	CHARACTERISTIC	LABEL	VALUE	INFO.	
	Nominal voltage	Uenom	90VDC		
	Voltage range	Ut Ue	5-110VDC		
	Non-repetitive peak voltage	Utp	200V		
	Overvoltage protection	D1	Varistor 75V size 20		
	Max reverse voltage drop (internal diode at OFF state)	-Ut	1.5V	@Ic=-20A @Uc=0	
	Maximum nominal currents	Ie max	Resistive 20A	Motor Please contact us	See fig. 7 (limits)
	Non-repetitive peak overload current	Iepeak	160A		See fig. 8
	Min. load current	Iemin	5mA		
	Max. leakage current	Ielk max	3mA		@Utmax @Tjmax
	Max. on-state resistance	RDSon	90mΩ		@Iemax @Tjmax
	Typ. output capacitance	Cout	0.6nF		
	Junction/case thermal resistance per power element	Rthjc	1.2 K/W		
	Built-in heatsink thermal resistance vertically mounted	Rthra	10K/W		@ΔTra=75°C
	Heatsink thermal time constant	Tthra	10 minutes		@ΔTra=50°C
	Control inputs/power outputs insulation voltage	Uimp	2.5kV		
	Inputs/case insulation voltage	Uimp	2.5kV		
	Outputs/case insulation voltage	Uimp	2.5kV		
	Isolation resistance	Rio	1GΩ		
	Isolation capacitance	Cio	<8pF		
	Maximum junction temperature	Tjmax	175°C		
	Storage ambient temperature	Tstg	-40->+100°C		
Operating ambient temperature	Tamb	-25->+90°C		See fig. 7	
Max. case temperature	Tc	100°C			

PROTECTION CHARACTERISTICS

PROTECTION	Leakage current (Ielk) vs DC voltage (Ut)	Absolute limits
	<p>Ielk : Leakage current of the relay Ie : User load nominal current Utp : Relay max. non repetitive peak voltage</p>	<p>Utmax : Max. nominal voltage of the relay Uto : Possible overvoltage above Utmax Utn = Ue : User DC power supply voltage</p> <p>t : Overvoltage duration T : Time between 2 overvoltage</p>

Uto < Utp

$$t_{max} = \frac{0.75}{(Uto - Ut_{max}) \times Ie}$$

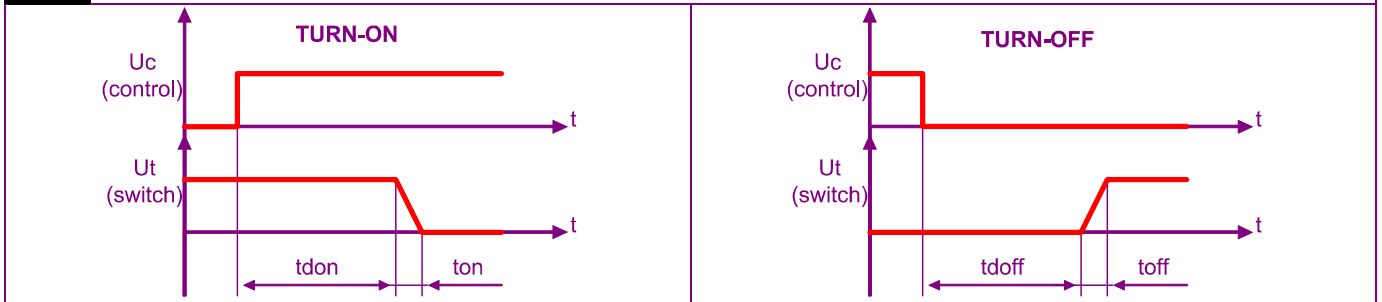
$$\frac{P_{(protection)} = 1W_{max}}{\Rightarrow \frac{(Uto - Ut_{max}) \times Ie \times t}{T} \leq 1}$$



TIME CHARACTERISTICS

Fig. 4

TIME DIAGRAMS



TIME CHARACT.	CHARACTERISTIC	LABEL	VALUE	INFO.
	Turn on time	ton	20µs	
	Turn on delay	tdon	20µs	
	Turn off time	toff	20µs	
	Turn off delay	tdoff	20µs	
	Max. On-Off frequency	F_(on-off)	>1000Hz (for high frequency, take 2 x I _e to calculate the heatsink; the protections must be chosen carefully)	Refer to the instruction sheet

GENERAL INFORMATION

CONNEX-TIONS	Connections		Power		Control	
	Screwdriver advised		POZIDRIV2			
	Min and max tightening torque		2 N.m		1.2 N.m	
	Insulated crimp terminals (round tabs, eyelet type)		M5		M4	

MISC.	Display		Green LED (indicates relay has switched ON)		
	Housing		UL94V0		
	Mounting		2 screws (M4x12mm ; tightening = 1.2N.m)		See mounting sheet
	Noise level		None		
	Weight		80g		

STANDARDS

GENERAL	Standards		IEC60947-1		
	Protection level		IP20		
	Protection against direct touch		Yes		
	CE marking		Yes		
	UL, cULUS and VDE approvals		Pending		

E.M.C. IMMUNITY	TYPE OF TEST	STANDARD	LEVEL	EFFECT
	E.S.D. (Electrostatic discharges)	EN61000-4-2	Pending	?
	Radiated electromagnetic fields	EN61000-4-3	Pending	?
	Fast transients bursts	EN61000-4-4	Pending	?
	Electric chocks	EN61000-4-5	Pending	?
Voltage drop	EN61000-4-11	-		

E.M.C. EMISSION				
	Radiated and conducted disturbances	NFEN55011	Pending	



CHARACTERISTIC CURVES

Fig. 5 INPUT CHARACTERISTIC

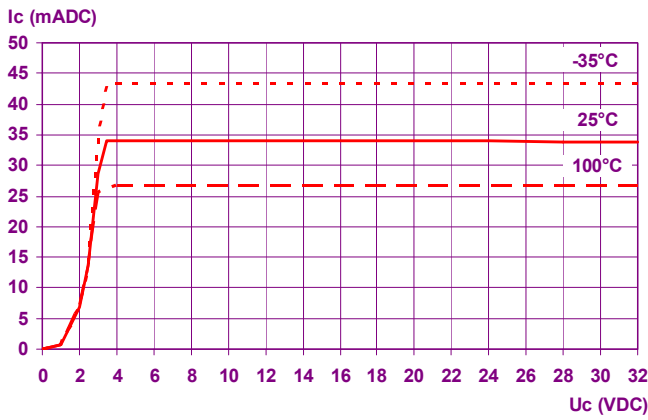


Fig. 6 ON RESISTANCE VS JUNCTION TEMPERATURE

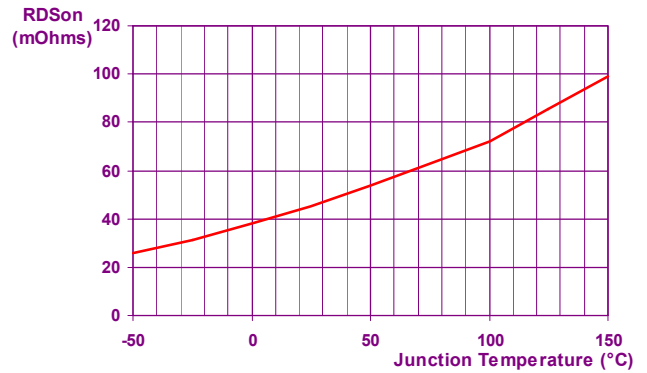


Fig. 7 POWER DISSIPATED AND LOAD CURRENT LIMIT VS TEMPERATURE

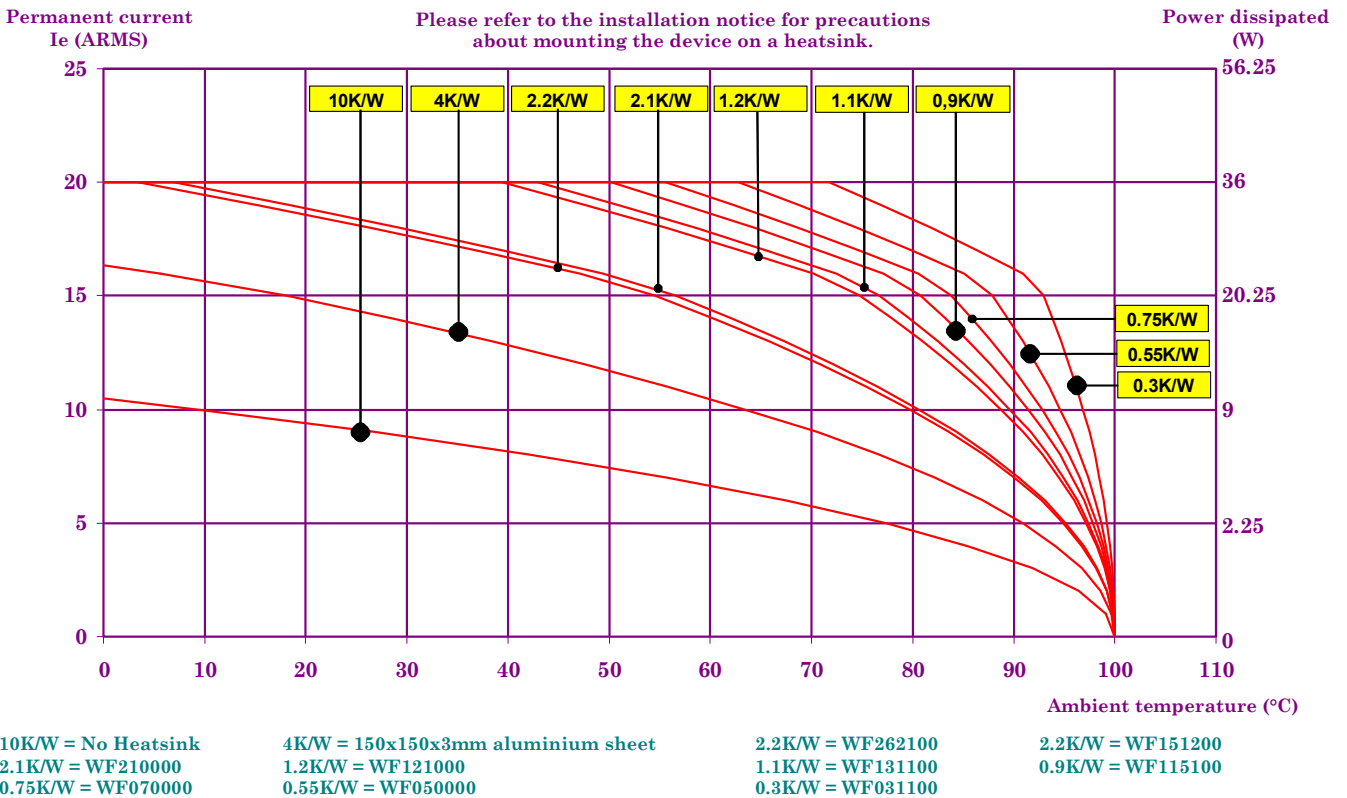
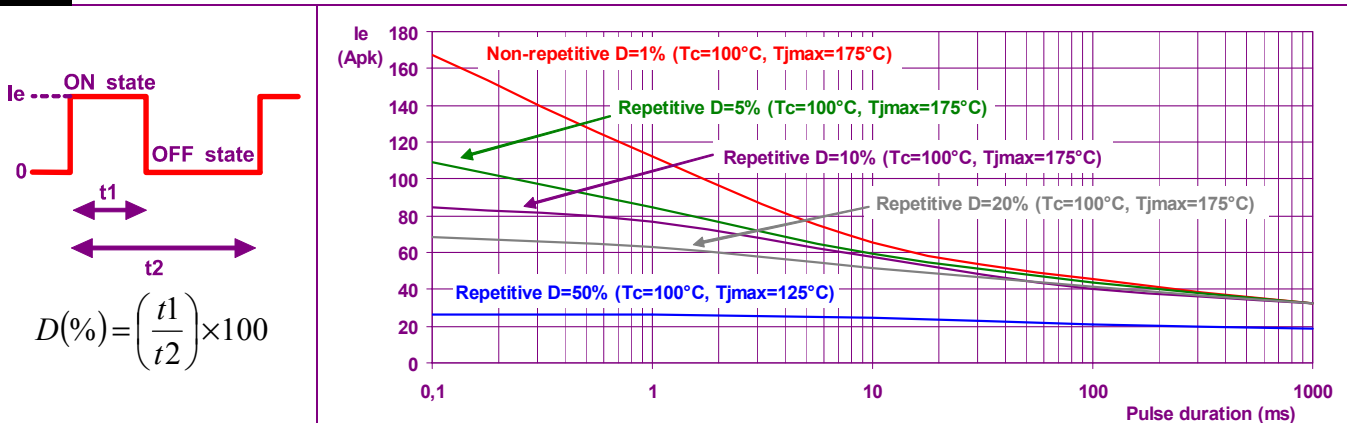


Fig. 8 PEAK OVERLOAD CURRENT vs. PULSE DURATION CHARACTERISTIC





DIMENSIONS AND ACCESSORIES

Fig. 9

DIMENSIONS (mm)

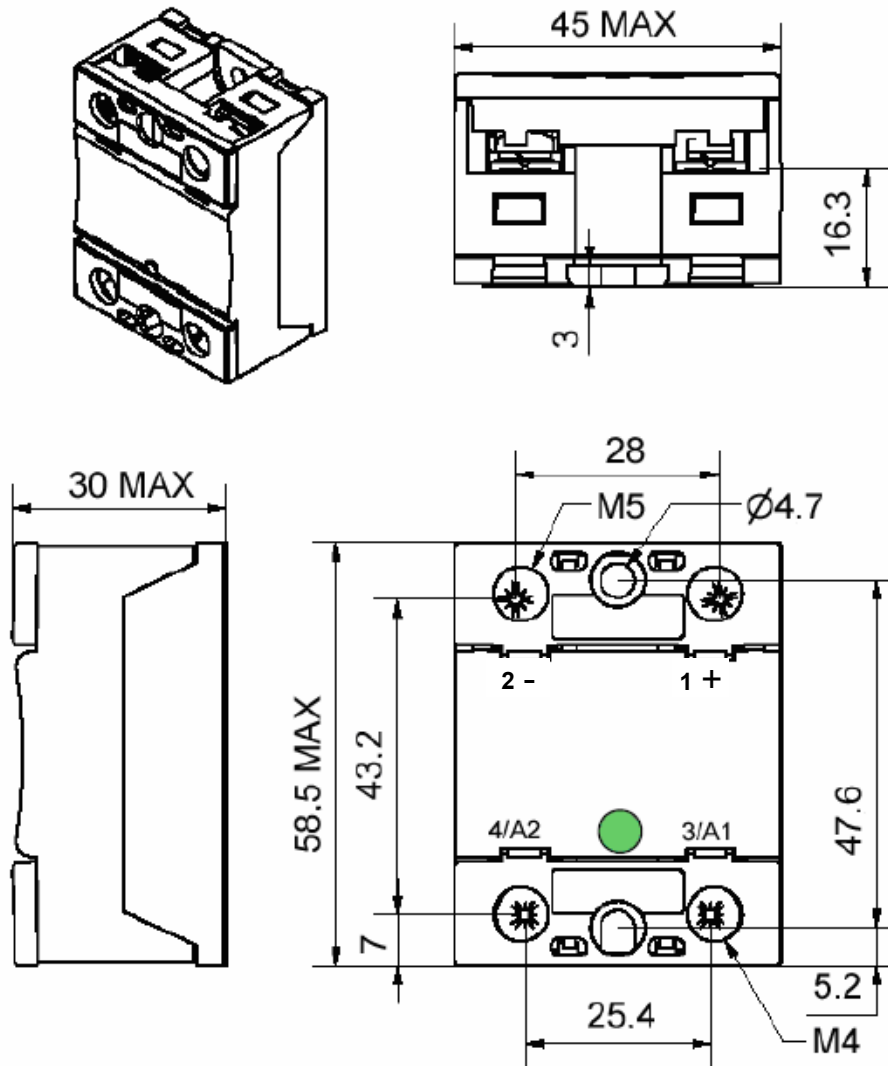


Fig. 10

ACCESSORIES

FASTON : Please contact us



ISO 9001
N° 1993/1106a

ASSOCIATION
FRANÇAISE POUR
L'ASSURANCE DE
LA QUALITÉ

X-ON Electronics

Largest Supplier of Electrical and Electronic Components

Click to view similar products for [Celduc](#) manufacturer:

Other Similar products are found below :

[SIL465000](#) [D31C2100](#) [SO842074](#) [SKL20120](#) [WF311100](#) [WF108110](#) [SO445420](#) [SO865070](#) [SF541310](#) [SG464120](#) [1K460000](#) [SOM040200](#)
[SPD03505](#) [WF151200](#) [SO941460](#) [SO942460](#) [SOB863860](#) [SO863070](#) [SKL20240](#) [2YB20051](#) [SOM40100](#) [SC864110](#) [STA07220](#) [SO865970](#)
[PTI40020](#) [SCQ842060](#) [SUL963460](#) [SKA20420](#) [PLA13730](#) [PTPA0230](#) [SCF42324](#) [SF546310](#) [SP752120](#) [D32A3100](#) [SOB965660](#)
[ESD05000](#) [SO963460](#) [SKA20421](#) [SA963460](#) [SKA20460](#) [SKD10306](#) [SKA20441](#) [SOD865180](#) [SKA20440](#) [SLD03205](#) [PSL40010](#)
[SLD03210](#) [SO867070](#) [PSA60010](#) [SO965460](#)