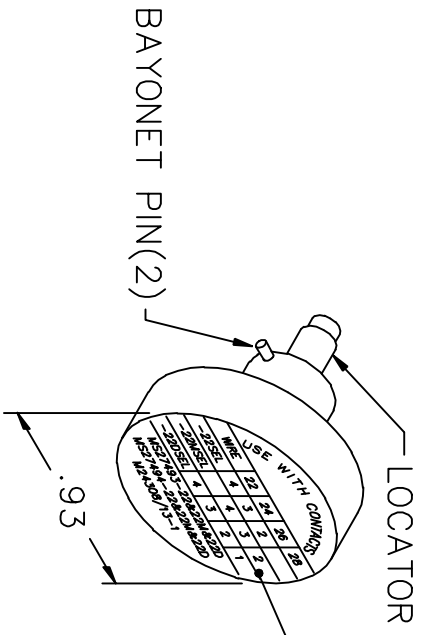
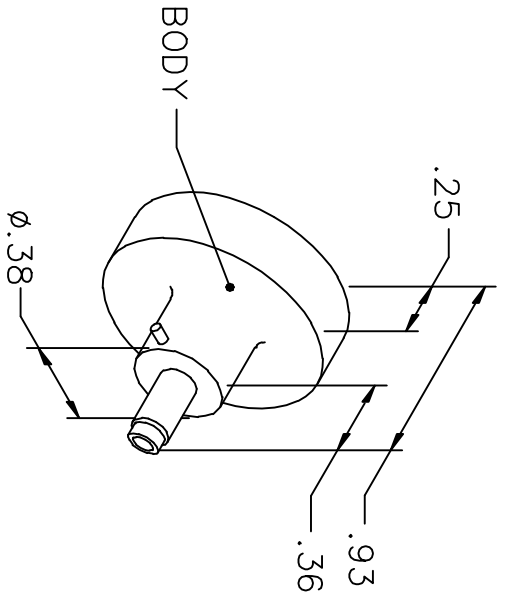


REVISIONS				
REV. SYM.	E.C.O. NUMBER	DESCRIPTION	BY DATE	APP'D DATE
4		ADDED MIL NUMBER TO DWG	KDH 5/26/10	RRR 5/26/10

**UNCONTROLLED DOCUMENT
WILL NOT BE UPDATED**



USE WITH CONTACTS

WIRE	22	24	26	28
-22SEL	4	3	2	
-22MSEL		4	3	2
-22DSEL	4	3	2	1

MS27493-22&22M&22D
MS27494-22&22M&22D
M24308/13-1

NOTE: FOR USE WITH DANIELS CRIMP TOOLS
ACCOMMODATING "K" SERIES POSITIONERS

LOCATOR	
HOLE DIMENSIONS	ADDITIONAL FEATURES
∅.033 ∇.58 MIN.	└┘ ∅.078 ∇.155

RESTRICTED & CONFIDENTIAL

CONFIDENTIAL PROPERTY OF DANIELS MANUFACTURING CORP. NOT TO BE DISCLOSED TO OTHERS, REPRODUCED OR USED FOR ANY OTHER PURPOSE, EXCEPT AS AUTHORIZED IN WRITING BY DANIELS MANUFACTURING. MUST BE RETURNED TO DANIELS MANUFACTURING CORP. ON COMPLETION OF ORDER OR OTHER PURPOSE FOR WHICH LENT.

DO NOT SCALE DRAWING

DRN.	KS	DATE	DATE
CHK'D.	DC	DATE	4-20-87
APP'D.	AAM	DATE	4-20-87
APP'D.		DATE	

NOTE: THIS DRAWING IS AN OUTLINE DRAWING OF THE RESPECTIVE DMG PART NUMBER INDICATED. ACTUAL DMG PART NUMBER IS DRAWING NUMBER WITHOUT THE "-ENV" SUFFIX.

WHERE USED: AFMB M22520/2-09

DMG DANIELS MANUFACTURING CORP.
ORLANDO, FLORIDA
CAGE 11851

ENVELOPE DRAWING
POSITIONER

SIZE	SCALE	CAD P/N	SHEET	OF	REV.
A	NTS	K42-ENV	1	1	4

POSTING DWG. NO. K42-ENV

X-ON Electronics

Largest Supplier of Electrical and Electronic Components

Click to view similar products for Daniels manufacturer:

Other Similar products are found below :

[DAK95-16S](#) [DAK95-22](#) [TH254](#) [M81969/8-03 REV B](#) [TH70-1](#) [DRK100-0P](#) [DAK95-10B](#) [HT240-12](#) [M81969/8-11 REV B](#) [M81969/8-11](#)
[CET20-3](#) [DACK24](#) [DRK25](#) [DAK285](#) [DAK283](#) [DRK81](#) [BT-J-129](#) [M81969/17-05](#) [DRK20A](#) [DRK95-22MS](#) [M81969/8-08](#) [M22520/5-01](#)
[Y143](#) [DRK38](#) [DBS-128-2](#) [BT-J-130](#) [BT-J-133](#) [DRK230](#) [359-0697-020](#) [MS27495R12](#) [DRK95-12](#) [M85049/128-2](#) [M81969/17-09](#) [DAK83S-](#)
[20](#) [M22520/2-37](#) [MS24256R20](#) [M22520/2-06](#) [M22520/2-23](#) [DAK95-22MB](#) [DRK95-20S](#) [K267-1](#) [MS24256A20](#) [M22520/5-45](#) [M81969/8](#)
[01](#) [M300BT](#) [BT-SJ-468-1](#) [TH29-1](#) [AIC4EXT](#) [DBS-128-1](#) [M85049/128-1](#)