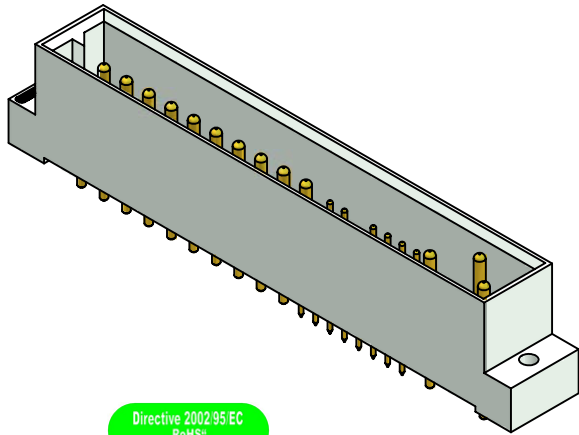


PCB hole pattern

NOTES:

1. MATERIALS AND FINISHES:
 - INSULATOR: GLASS FILLED PLASTIC UL 94 V-0 RATED, GREY RAL 7035
 - CONTACTS: COPPER ALLOY, PLATING: 0,8 µM GOLD OVER NICKEL
2. ELECTRICAL CHARACTERISTICS:
 CREEPING AND CLEARANCE DISTANCE; MINIMUM:
 - CONTACT 47 TO CONTACT 46: 2,5 MM
 - CONTACT 47 TO CONTACT 45: 3,2 MM
 - CONTACT 46 TO CONTACT 45: 3,2 MM
 - CONTACT 47 TO SIGNAL CONTACTS: 6,4 MM
 - CONTACT 46 TO SIGNAL CONTACTS: 6,4 MM
 - CONTACT 45 TO SIGNAL CONTACTS: 2,0 MM
 CONTACT CURRENT RATING:
 - POWER CONTACTS POS. 45-47: 40 AMPERES CONTINUOUS, ALL CONTACTS UNDER LOAD
 - POWER CONTACTS POS. 1-20: 28 AMPERES CONTINUOUS, ALL CONTACTS UNDER LOAD
 - SIGNAL CONTACTS: 3 AMPERES NOMINAL
 INITIAL CONTACT RESISTANCE PER IEC 512-2, TEST 2b:
 - POWER CONTACTS: 0,0007 OHM MAX.
 - SIGNAL CONTACTS: 0,004 OHM MAX.
 INSULATION RESISTANCE: 5 G OHM PER IEC 512-2, TEST 3a, METHOD A
 VOLTAGE PROOF:
 - CONTACTS POS. 45, 46, 47: 3 kV r.m.s.
 - CONTACTS POS. 1-20: 1,5 kV r.m.s.
 - CONTACTS POS. 21-44: 1 kV r.m.s.
3. WORKING TEMPERATURE: -55°C TO +125°C
4. ORDER OF CONTACT MATING:
 1.MATE: POS.45 / 2.MATE: POS.46,47 / LAST MATE: POS.27
5. CONNECTOR IS PART MARKED: [PART-NO. CONEC ABC]



Directive 2002/95/EC
 „RoHS“
 Compliant

1	Signal contact type 2 (Pos. 27)	5		
23	Signal contact type 1 (Pos. 21-26, 28-44))	4		
3	Power contact type 2 (Pos. 45-47)	3		
20	Power contact type 1 (Pos. 1-20)	2		
1	Case 47pos. male	1		
quantity	part description	partlist item	dwg no. / norm	material

THIS DRAWING MAY NOT BE COPIED OR REPRODUCED IN ANY WAY, AND MAY NOT BE PASSED ON TO A THIRD PARTY WITHOUT THE WRITTEN PERMISSION OF CONEC GmbH DO NOT ALTER CAD DRAWING BY HAND	finish:	tolerance	scale: 2:1 material: see notes		
	see notes	ISO 2768-m			
	date	name	title: PLUG CONNECTOR 47pos. SOLDER PIN STRAIGHT CompactPCI		
	drawn 21.02.06	Schmidt			
appd. 21.02.06	Kühle				
norm		dwg no:	[Inventor]	DIN- A2	
d-old		45K2A010		sh: 1	
rev.	description	date	name	part no: CPH47W23MGRCSK9X	



X-ON Electronics

Largest Supplier of Electrical and Electronic Components

Click to view similar products for [Unspecified Connectors](#) category:

Click to view products by [CONEC](#) manufacturer:

Other Similar products are found below :

[1-21107-1](#) [2-21053-5](#) [PSC-28-1](#) [38111](#) [403000A10M050](#) [1-1589688-1](#) [770690-4](#) [QUINT-PS/1AC/48DC/10](#) [99 9113 02 05](#) [CA06COM-PG14SE7S-SPL](#) [578302](#) [578286](#) [130623](#) [186316](#) [153253](#) [186328](#) [153322](#) [153354](#) [193951](#) [1713941](#) [HC-DD72-I-CT-F](#) [RC-5AS2000](#) [RC-5CS2000](#) [RC-Z2068](#) [VC-TR5/6M](#) [RAD-900-CONF-RF1](#) [RAD-CON-SMA-N-SS](#) [RAD-ISM-900-ANT-OMNI-0-6](#) [RAD-PIG-EF316-N-RSMA](#) [KST-POF](#) [RIF-0-RPT-12DC/21](#) [RIF-1-BPT/2X21](#) [RIF-1-RPT-LV-120AC/2X21AU](#) [PV-FT-C2F-HSG](#) [HC-EVO-B06-HHFS-2B-PL-BK](#) [99 0210 00 04](#) [801377](#) [803579](#) [710-00007](#) [125.038-8](#) [135.016](#) [136.1612](#) [137.014](#) [137.015](#) [137.016](#) [138.015](#) [138.016](#) [2000 1/8](#) [2902021](#)
[259.02SB-25](#)