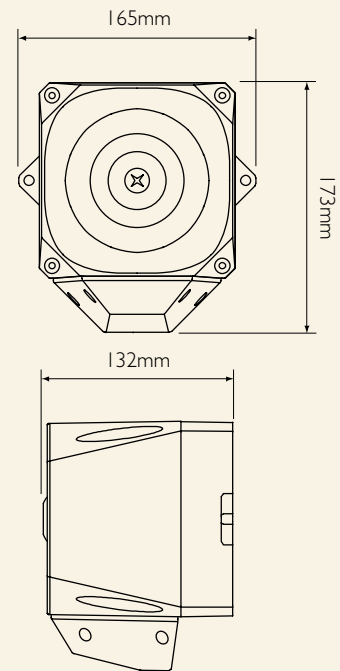


## MIDI HIGH OUTPUT SOUNDER / BEACON



The Asserta Midi Sounder Beacon is a versatile and rugged audio-visual alarm designed for industrial environments or areas where there is a requirement for a physically robust and well-protected unit. A range of supply options permit use with a wide range of fire and process systems.

- AC OR DC VERSIONS AVAILABLE
- 110dB(A) OUTPUT
- IP66 PROTECTION
- SIMPLE FIRST & SECOND FIX INSTALLATION
- FULLY INTEGRATED HIGH EFFICIENCY BEACON
- 32 ALARM TONES
- 2 STAGE ALARM

## Specification

Voltage Range	AC 115Vac AC 230Vac DC 9 - 60Vdc
Current	24Vac - 40mA (typ) 230Vac - 35mA (typ) 9 - 60Vdc - 230mA (typ)
Output @ 1m	110dB(A)
Tones	32
Alarm Stages	2
Flash Rate	1Hz
Flash Power	2.5J
Temperature	- 20°C to + 70°C
Material	PC / ABS
IP Rating	IP66
Weight	0.8Kg
Body Colour	Red or Grey
Lens Colour	Red, Amber or Clear

## **X-ON Electronics**

Largest Supplier of Electrical and Electronic Components

*Click to view similar products for [Fulleon](#) manufacturer:*

Other Similar products are found below :

[AS/M/SB/9-60V/R/RL](#) [AC/W/S/BB](#) [FB/024/R](#) [AS/M/S/115/230/R](#) [SYHO/R](#) [FL/BL/W/D /12V](#) [FB/230/G](#) [FL/AL/W/S](#) [AF/W/S/VC](#)  
[CFB6D24](#) [1320-24](#) [531036FULL-0073](#) [FL/SV/RL/R/D](#) [FL/AL/W/D/12V](#) [666156FULL-1101X](#) [ROLP/R/MAINS BASE](#) [ROLP/SV/W/S](#)  
[ROLP/SV/W/D](#) [AP/W/SWITCHED/VC](#) [ROLP/SV/R/S](#)