

Capacitive sensor, CQ28, DC 4-wire, Plastic, PBT

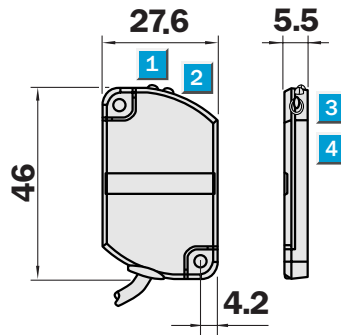


**Sensing range
10 mm**

Capacitive sensor

- Thin profile:
28 x 46 x 5.5 mm (w x h x d)
- Adjustable sensing range
1 ... 10 mm, non-flush
- Short circuit and
reverse polarity protection
- Teach-in via button or COM-input

Dimensional drawing

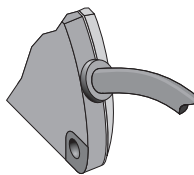


- 1 Indicator LED green
- 2 Indicator LED yellow
- 3 Teach button
- 4 Sensing area

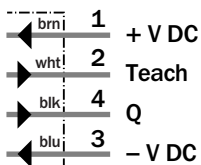


Connection type

CQ28-10NPP-KW1
CQ28-10NPP-KW1



4 x 0.14 mm²



Technical specifications		CQ28-	10NNP-KW1	10NPP-KW1										
Sensing range S_n	10 mm													
Electrical configuration	DC 4-wire													
Supply voltage V_s	DC 10 ... 30 V													
Ripple U_{pp}	$\leq 10 \%$													
Voltage drop U_d	$\leq 2.5 V^{1)}$													
Power consumption	$\leq 12 mA^{2)}$													
Continuous current I_a	$\leq 200 mA$													
Time delay before availability t_v	300 ms													
Hysteresis H, of s_r	Depending on teach adjustment													
Repeatability R	$\leq 5 \%$ (U_b and T_a constant) ³⁾													
Temperature drift, of s_r	$\pm 10 \%$													
EMC	According to EN 60947-5-2													
Switching output	NPN													
	PNP													
Output function	Programmable													
Installation	Non-flush													
Connection type	Cable, PVC, 2 m													
Enclosure rating	IP 68 ⁴⁾													
Max. switching frequency	10 Hz													
Dimensions	28 x 46 x 5.5 mm ⁵⁾													
Short-circuit protection	✓													
Reverse polarity protection	✓													
Shock/vibration stress	30 g, 11 ms/10 ... 55 Hz, 1 mm													
Ambient temperature operation	-20 °C ... +85 °C													
Ambient temperature storage	-40 °C ... +85 °C													
Housing material	Plastic, PBT													

¹⁾ at I_a max

²⁾ without load

³⁾ of s_r

⁴⁾ according to EN 60529

⁵⁾ Width x height x depth

Order information	
Type	Order no.
CQ28-10NNP-KW1	6 030 133
CQ28-10NPP-KW1	6 030 132

X-ON Electronics

Largest Supplier of Electrical and Electronic Components

Click to view similar products for [Capacitive Touch Sensors](#) category:

Click to view products by [Sick](#) manufacturer:

Other Similar products are found below :

[CP8186AT](#) [LC717A10AJ-AH](#) [CP7709DT](#) [AT42QT1012-MAH](#) [FK 8-1](#) [SMBTASK3KIT6](#) [LC717A10AR-NH](#) [MCP2036T-I/MG](#) [CP3155T](#)
[QT113BISG](#) [CAP1166-1-CZC-TR](#) [CM12-08EBP-KW1](#) [CR12CN04DPO-E2](#) [CR30SCF10ATO](#) [CR30SCF10DPO](#) [BCS M30BBI2-PSC15D-](#)
[S04K](#) [CA30CAF16PAM1](#) [VC12RN230](#) [XT130B1FBL2](#) [FDC1004DGSR](#) [FDC1004DGST](#) [CR18SCF05DPO](#) [CR30CN15DPO-E2](#)
[VC12RT23010M](#) [CDWM3020ZPM](#) [17-8421-226](#) [VC12RN924](#) [AT42QT1050-MMH](#) [AT42QT1050-MMHR](#) [AT42QT1110-AU](#)
[AT42QT1244-AU](#) [AT42QT1244-AU](#) [AT42QT1481-AUR](#) [OTBA5L](#) [OTBVR81LQD](#) [PBCL22T](#) [SM31RDLBQD](#) [AT42QT1111-MU](#)
[AT42QT1244-MU](#) [AT42QT2100-MUR](#) [AT42QT2120-MMHR](#) [VTBN6LQ](#) [MTCH6102-IMV](#) [CAP1128-1-BP-TR](#) [CA30CAF16PA](#)
[STMPE16M31QTR](#) [STMPE16M31PXQTR](#) [STM8T143-EVAL](#) [XT230A1PAL2](#) [LC717A00AR-NH](#)