



Czujniki pojemnościowe
Rectangular housing, CQ28

CQ28-10NPP-KW1S05



Nazwa modelu > **CQ28-10NPP-KW1S05**

Numer cz ci > **6049285**



At a glance

- PNP or NPN output versions are available
- Operating distance up to 10 mm
- High electromagnetic immunity
- Extra narrow rectangular housing (5.5 mm)
- Short-circuit reverse polarity and power-up pulse suppression protection
- IP 68 enclosure rating
- Programmable complementary output function as NO or NC
- Two LED status indicators for output and sensitivity

Your benefits

- Flat housing design saves installation space on the machine
- Time-saving installation on machine via zip tie or counter sunk screws
- Time-saving setup via control wire or a pushbutton
- High EMC immunity prevents false switching and increases throughput
- Non-contact level measurement, even through container or tank walls, which eliminates drilling holes and thus reduces installation time



Cechy

Budowa:	Prostopadłościenna
Wymiary (Szer. x Wys. x Głęb.):	28 mm x 46 mm x 5,5 mm
Sensing range Sn:	10 mm
Assured sensing range Sa:	7,2 mm
Instalacja w metalu:	Niezabudowany
Nastawienie czułości:	Teach-in button External Teach-in
Częstotliwość przełączania:	± 10 Hz
Wyjście przełączające:	PNP
Output function:	NC or NO
Electrical wiring:	DC 3-wire
Rodzaj zabezpieczenia:	IP 68 ¹⁾
Typ połączenia:	Cable with connector M8, 3-pin, 0,3 m ²⁾
Output characteristic:	Programmable

¹⁾ According to EN 60529 ²⁾ Do not bend below 0 °C

Mechanika/elektronika

Napięcie zasilania:	10 V DC ... 30 V DC
Tętnienia resztkowe:	≤ 10 %
Spadek napięcia:	≤ 2,5 V DC ¹⁾
Current consumption:	≤ 12 mA ²⁾
Czas osiągnięcia dostępności:	≤ 300 ms
Odtwarzalność:::	≤ 5 % ^{3) 4)}
Przesunięcie cieplne (Sr):	± 10 %
Kompatybilność elektromagnetyczna::	Zgodna z EN 60947-5-2 ⁵⁾
Output current Ia:	≤ 200 mA
Cable material:	PVC
Conductor cross-section:	0,14 mm ²
Zabezpieczenie przed zwarciami:	✓
Zabezpieczenie przed zmianą biegunowości:	✓
Shock/vibration:	30 g, 11 ms/10 ... 55 Hz, 1 mm
Ambient operating temperature:	-20 °C ... +85 °C
Ambient storage temperature:	-40 °C ... +85 °C
Tworzywo, obudowa:	PBT
Funkcje specjalne:	Pin 2 not assigned

¹⁾ At I_a max ²⁾ Bez obciążenia ³⁾ Of Sr ⁴⁾ Ub and Ta constant ⁵⁾ In EMC critical applications, conducted interference levels may lie in the frequency range of the oscillator. This can cause changes to the output signal.(see operating instructions)

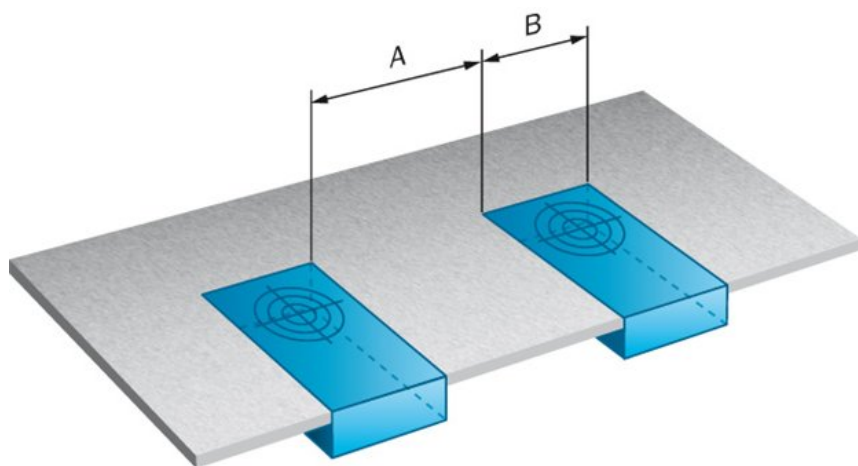
Współczynniki redukcyjne

Uwaga:	The values are reference values which may vary
Metal:	1
Water:	1
PVC:	Ca. 0,4
Oil:	Ca. 0,25

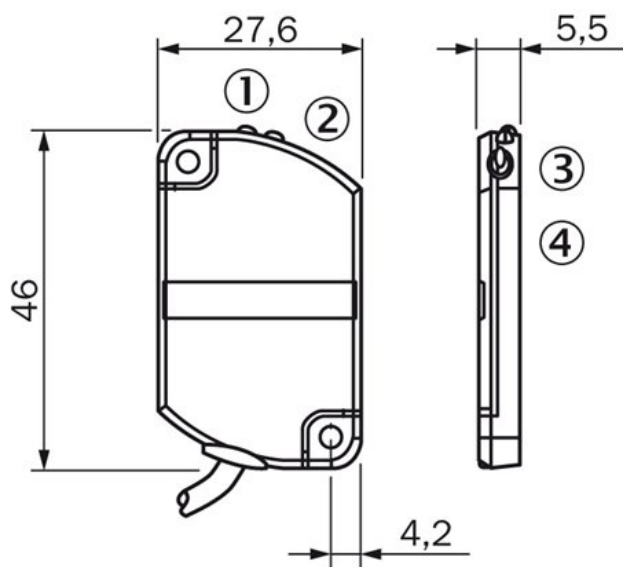
Instrukcje okre laj ce

Uwaga:	Associated graphic see "Installation"
A:	27,6 mm
B:	27,6 mm

Installation note



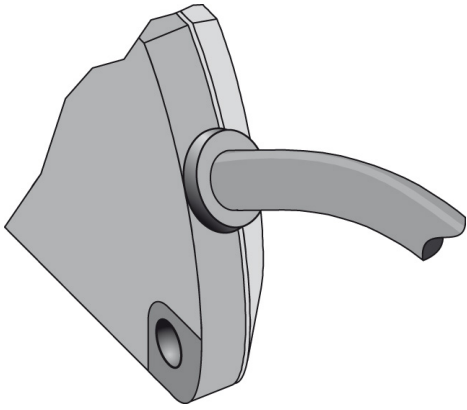
Rysunek techniczny



- |1| LED indicator green
- |2| LED indicator yellow
- |3| Teach-in button
- |4| Sensing face

Alle Maße in mm

Connection type



Australia

Phone +61 3 9457 0600
1800 33 48 02 – tollfree
E-Mail sales@sick.com.au

Belgium/Luxembourg

Phone +32 (0)2 466 55 66
E-Mail info@sick.be

Brasil

Phone +55 11 3215-4900
E-Mail marketing@sick.com.br

Canada

Phone +1 905 771 14 44
E-Mail information@sick.com

Česká republika

Phone +420 2 57 91 18 50
E-Mail sick@sick.cz

China

Phone +86 4000 121 000
E-Mail info.china@sick.net.cn
Phone +852-2153 6300
E-Mail ghk@sick.com.hk

Danmark

Phone +45 45 82 64 00
E-Mail sick@sick.dk

Deutschland

Phone +49 211 5301-301
E-Mail info@sick.de

España

Phone +34 93 480 31 00
E-Mail info@sick.es

France

Phone +33 1 64 62 35 00
E-Mail info@sick.fr

Great Britain

Phone +44 (0)1727 831121
E-Mail info@sick.co.uk

India

Phone +91-22-4033 8333
E-Mail info@sick-india.com

Israel

Phone +972-4-6881000
E-Mail info@sick-sensors.com

Italia

Phone +39 02 27 43 41
E-Mail info@sick.it

Japan

Phone +81 (0)3 5309 2112
E-Mail support@sick.jp

Magyarország

Phone +36 1 371 2680
E-Mail office@sick.hu

Nederland

Phone +31 (0)30 229 25 44
E-Mail info@sick.nl

Norge

Phone +47 67 81 50 00
E-Mail sick@sick.no

Österreich

Phone +43 (0)22 36 62 28 8-0
E-Mail office@sick.at

Polska

Phone +48 22 837 40 50
E-Mail info@sick.pl

România

Phone +40 356 171 120
E-Mail office@sick.ro

Russia

Phone +7-495-775-05-30
E-Mail info@sick.ru

Schweiz

Phone +41 41 619 29 39
E-Mail contact@sick.ch

Singapore

Phone +65 6744 3732
E-Mail sales.gsg@sick.com

Slovenija

Phone +386 (0)1-47 69 990
E-Mail office@sick.si

South Africa

Phone +27 11 472 3733
E-Mail info@sickautomation.co.za

South Korea

Phone +82 2 786 6321/4
E-Mail info@sickkorea.net

Suomi

Phone +358-9-25 15 800
E-Mail sick@sick.fi

Sverige

Phone +46 10 110 10 00
E-Mail info@sick.se

Taiwan

Phone +886 2 2375-6288
E-Mail sales@sick.com.tw

Türkiye

Phone +90 (216) 528 50 00
E-Mail info@sick.com.tr

United Arab Emirates

Phone +971 (0) 4 88 65 878
E-Mail info@sick.ae

USA/México

Phone +1(952) 941-6780
1 (800) 325-7425 – tollfree
E-Mail info@sickusa.com

More representatives and agencies
at www.sick.com

X-ON Electronics

Largest Supplier of Electrical and Electronic Components

Click to view similar products for [Capacitive Touch Sensors](#) category:

Click to view products by [Sick](#) manufacturer:

Other Similar products are found below :

[CP8186AT](#) [LC717A10AJ-AH](#) [CP7709DT](#) [AT42QT1012-MAH](#) [FK 8-1](#) [SMBTASK3KIT6](#) [LC717A10AR-NH](#) [MCP2036T-I/MG](#) [CP3155T](#)
[QT113BISG](#) [CAP1166-1-CZC-TR](#) [CM12-08EBP-KW1](#) [CR12CN04DPO-E2](#) [CR30SCF10ATO](#) [CR30SCF10DPO](#) [BCS M30BBI2-PSC15D-](#)
[S04K](#) [CA30CAF16PAM1](#) [VC12RN230](#) [XT130B1FBL2](#) [FDC1004DGSR](#) [FDC1004DGST](#) [CR18SCF05DPO](#) [CR30CN15DPO-E2](#)
[VC12RT23010M](#) [CDWM3020ZPM](#) [17-8421-226](#) [VC12RN924](#) [AT42QT1050-MMH](#) [AT42QT1050-MMHR](#) [AT42QT1110-AU](#)
[AT42QT1244-AU](#) [AT42QT1244-AU](#) [AT42QT1481-AUR](#) [OTBA5L](#) [OTBVR81LQD](#) [PBCL22T](#) [SM31RDLBQD](#) [AT42QT1111-MU](#)
[AT42QT1244-MU](#) [AT42QT2100-MUR](#) [AT42QT2120-MMHR](#) [VTBN6LQ](#) [MTCH6102-IMV](#) [CAP1128-1-BP-TR](#) [CA30CAF16PA](#)
[STMPE16M31QTR](#) [STMPE16M31PXQTR](#) [STM8T143-EVAL](#) [XT230A1PAL2](#) [LC717A00AR-NH](#)