

## Capacitive sensor, CQ35, DC 4-wire, Plastic

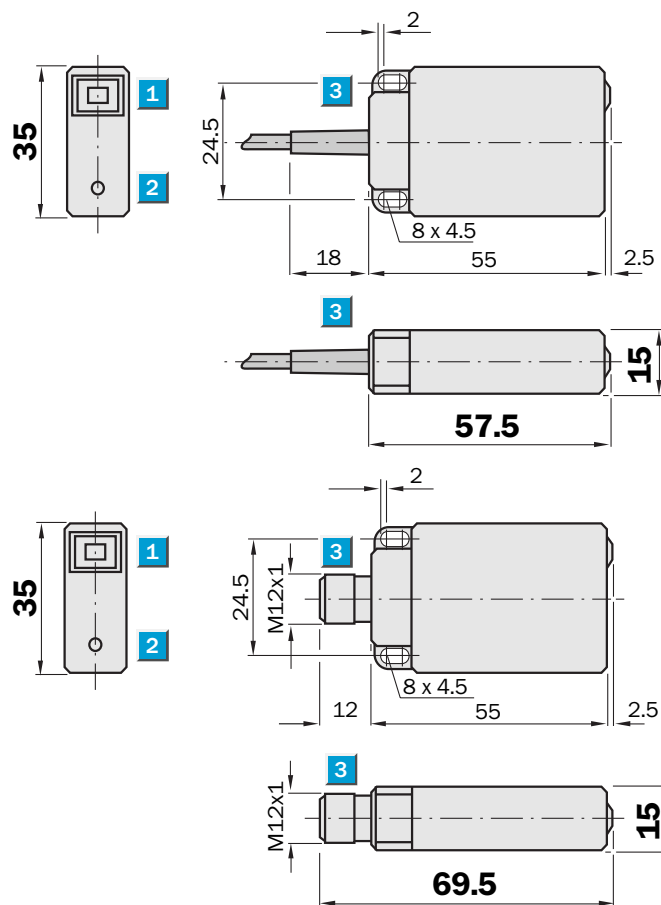
**Sensing range**  
25 mm

Capacitive sensor

- High EMC immunity
- Short-circuit protection (pulsed)
- Complementary output function
- Enclosure rating IP 67
- LED status indicator



### Dimensional drawing



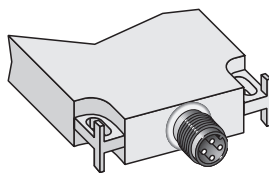
- 1 Display LED
- 2 Potentiometer
- 3 Connection



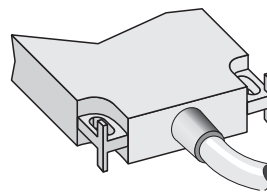
### Connection type

CQ35-25NPP-KC1  
CQ35-25NPP-KC1

CQ35-25NPP-KW1  
CQ35-25NPP-KW1



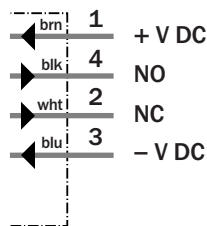
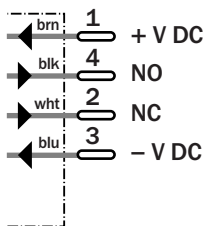
M12, 4-pin



4 x 0.34 mm<sup>2</sup>

### See chapter Accessories

Connector, M12, 4-pin



Technical specifications		CQ35-	25NNP-KC1	25NNP-KW1	25NPP-KC1	25NPP-KW1						
<b>Sensing range <math>S_n</math></b>	25 mm											
<b>Electrical configuration</b>	DC 4-wire											
<b>Supply voltage <math>V_s</math></b>	DC 10 ... 40 V											
Ripple $U_{pp}$	$\leq 10\%$ <sup>1)</sup>											
Voltage drop $U_d$	$\leq 2.5\text{ V}$ <sup>2)</sup>											
Power consumption	$\leq 10\text{ mA}$ <sup>3)</sup>											
<b>Continuous current <math>I_a</math></b>	$\leq 200\text{ mA}$											
Time delay before availability $t_v$	$\leq 100\text{ ms}$											
Hysteresis H, of $s_r$	4 ... 20 %											
Repeatability R	$\leq 5\%$ ( $U_b$ and $T_a$ constant) <sup>4)</sup>											
Temperature drift, of $s_r$	$\pm 10\%$											
EMC	According to EN 60947-5-2											
<b>Switching output</b>	NPN											
	PNP											
<b>Output function</b>	Complementary											
<b>Installation</b>	Non-flush											
<b>Connection type</b>	Connector, M12, 4-pin											
	Cable, PVC, 2 m											
<b>Enclosure rating</b>	IP 67 <sup>5)</sup>											
Max. switching frequency	50 Hz											
Dimensions	35 x 15 x 69.5 mm <sup>6)</sup>											
	35 x 15 x 57.5 mm <sup>6)</sup>											
<b>Short-circuit protection</b>	$\checkmark$ <sup>7)</sup>											
<b>Reverse polarity protection</b>	$\checkmark$											
<b>Power-up pulse suppression</b>	$\checkmark$											
Shock/vibration stress	30 g, 11 ms/10 ... 55 Hz, 1 mm											
<b>Ambient temperature operation</b>	-25 °C ... +75 °C											
<b>Housing material</b>	Plastic											

<sup>1)</sup> of  $U_b$   
<sup>2)</sup> at  $I_a$  max

<sup>3)</sup> without load  
<sup>4)</sup> of  $s_r$

<sup>5)</sup> according to EN 60529  
<sup>6)</sup> Width x height x depth

<sup>7)</sup> (pulsed)

Order information	
Type	Order no.
CQ35-25NNP-KC1	6 021 464
CQ35-25NNP-KW1	6 021 463
CQ35-25NPP-KC1	6 020 479
CQ35-25NPP-KW1	6 020 478

## X-ON Electronics

Largest Supplier of Electrical and Electronic Components

*Click to view similar products for [Capacitive Touch Sensors](#) category:*

*Click to view products by [Sick](#) manufacturer:*

Other Similar products are found below :

[CP8186AT](#) [LC717A10AJ-AH](#) [CP7709DT](#) [AT42QT1012-MAH](#) [FK 8-1](#) [SMBTASK3KIT6](#) [LC717A10AR-NH](#) [MCP2036T-I/MG](#) [CP3155T](#)  
[QT113BISG](#) [CAP1166-1-CZC-TR](#) [CM12-08EBP-KW1](#) [CR12CN04DPO-E2](#) [CR30SCF10ATO](#) [CR30SCF10DPO](#) [BCS M30BBI2-PSC15D-](#)  
[S04K](#) [CA30CAF16PAM1](#) [VC12RN230](#) [XT130B1FBL2](#) [FDC1004DGSR](#) [FDC1004DGST](#) [CR18SCF05DPO](#) [CR30CN15DPO-E2](#)  
[VC12RT23010M](#) [CDWM3020ZPM](#) [17-8421-226](#) [VC12RN924](#) [AT42QT1050-MMH](#) [AT42QT1050-MMHR](#) [AT42QT1110-AU](#)  
[AT42QT1244-AU](#) [AT42QT1244-AU](#) [AT42QT1481-AUR](#) [OTBA5L](#) [OTBVR81LQD](#) [PBCL22T](#) [SM31RDLBQD](#) [AT42QT1111-MU](#)  
[AT42QT1244-MU](#) [AT42QT2100-MUR](#) [AT42QT2120-MMHR](#) [VTBN6LQ](#) [MTCH6102-IMV](#) [CAP1128-1-BP-TR](#) [CA30CAF16PA](#)  
[STMPE16M31QTR](#) [STMPE16M31PXQTR](#) [STM8T143-EVAL](#) [XT230A1PAL2](#) [LC717A00AR-NH](#)