

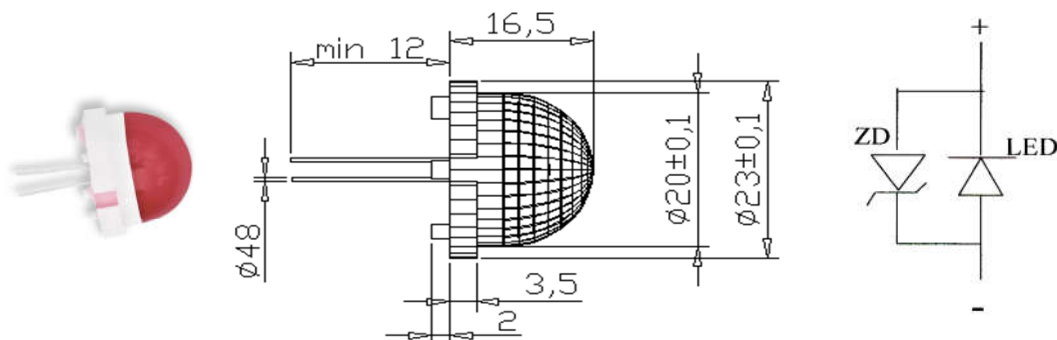


**POLAM-ELTA Sp. z o.o.**

LED DIODES  
LED CONTROL LAMPS  
www.polamelta.com

Jerozolimskie Avenue 202  
02-486 Warsaw, POLAND  
phone: (+48) 22-837-22-07  
fax (+48) 22-207-24-28  
e-mail: polamelta@polamelta.com.pl

### LED DIODES $\Phi 20$ (CQL-4XX)



Nr	Type	Wave length	Lens colour	Luminosity [mcd] min - max	Angle of luminosity [degrees]	UF [V]	IF [mA] feed current
1.	CQL-431-3 ( O )	608	diffusive - orange	3500-4000	120	6,2-6,4	20
		608	diffusive - orange	900-1000		5,7-5,8	
2.	CQL-433-3 ( R )	625	diffusive - red	2900-3000	120	6,3-6,4	20
		625	diffusive - red	720-740		5,7	
3.	CQL-433 / HV ( R )	625	diffusive - red	7000	120	33	7
		625	diffusive - red	900-1000		30	
4.	CQL-434-2 ( B )	460-470	diffusive - blue	550-750	120	5,7-6,0	20
		460-470	diffusive - blue	160-220		5,3-5,6	
5.	CQL-434 / HV ( B )	460-470	diffusive - blue	1700	120	11	20
		460-470	diffusive - blue	480-500		10,5	
6.	CQL-435-3 ( Y )	590-592	diffusive - yellow	2800-3000	120	6,6-6,7	20
		590-592	diffusive - yellow	650-700		5,8-5,9	
7.	CQL-436-2 ( G )	525	diffusive - green	2300-2800	120	6,0-6,5	20
		525	diffusive - green	650-700		5,6-5,8	
8.	CQL-4100 ( W )	3000 K	diffusive - white	2800-3000	120	2,8-2,9	20
		3000 K	diffusive - white	750-800		2,6-2,7	
9.	CQL-417 / WK (RG)	625	diffusive - white	1900-2100	120	4,2-4,3	20
		525		1100-1400		3,2-3,3	
10.	CQL-410 / WK (RGY)	625	diffusive - white	1900-2100	120	4,2-4,3	20
		525		1100-1400		3,2-3,3	
		590-592		1900-2000		4,6-4,7	
11.	CQL-410 / WK (RGB)	625	diffusive - white	1900-2100	120	4,2-4,3	20
		525		1100-1400		3,2-3,3	
		460-470		340-360		2,9-3,0	

### BLINKING LED DIODES $\Phi 20$ (CQL-4XX / MZ)

Nr	Type	Wave length	Lens colour	Luminosity [mcd] min - max	Angle of luminosity [degrees]	UF [V]	IF [mA] feed current
1.	CQL-433 / MZ ( R )	625	diffusive - red	1900-2000	120	5,0-15	20
2.	CQL-434 / MZ ( B )	460-470	diffusive - blue	550-750	120	6,0-15	20
3.	CQL-435 / MZ ( Y )	590-592	diffusive - yellow	1900-2000	120	5,0-15	20

Blinking frequency: 2,4 Hz

All LED diodes  $\Phi 20$  have an internal zener chip as a surge protector.

# X-ON Electronics

Largest Supplier of Electrical and Electronic Components

*Click to view similar products for [Standard LEDs - SMD category](#):*

*Click to view products by [Polam-Elta manufacturer](#):*

Other Similar products are found below :

[LTST-N683GBEW](#) [597-3006-607F](#) [LTW-170ZDC](#) [597-3403-607F](#) [LTW-K140SZR40](#) [LTW-M140ZVS](#) [598-8110-100F](#) [598-8170-100F](#) [7012X7](#)  
[AAAF5060QBFSEEZGS](#) [APT1608QGW](#) [ASMT-YTC7-0AA02](#) [EASV1803BA0](#) [HT-F104TW-5860](#) [KA-3528YT](#) [SML310BATT86](#) [SML-](#)  
[512VWT86A](#) [SML-LX0606SISUGC/A](#) [SML-LXL1307SRC-TR](#) [SML-LXR851SIUPGUBC](#) [LT1ED53A](#) [17-21/G6C-FM1N2B/3T](#) [FAT801-S](#)  
[AM27ZGC03](#) [APB3025SGNC](#) [APFA3010SURKCGKQBDC](#) [APHK1608VGCA](#) [APT2012QGW](#) [CLMVC-FKA-CA1E1L81BB7C3C3](#) [CLX6D-](#)  
[FKB-CN1R1H1BB7D3D3](#) [CLYBA-FKA-CFHHKL9BBB7A363](#) [CMD11504UR](#) [LTST-C250KGKT](#) [LTW-010DCG](#) [LTW-21TS5](#) [LTW-220DS5](#)  
[LTW-K140SZR30](#) [ASMB-BTE1-0B332](#) [ASMT-CW00](#) [MP-1616-2103-50-80](#) [BR1102W-TR-LF](#) [HSMY-C177](#) [HT-121UYG-4739](#)  
[JANTXM19500/521-02](#) [UYGT801-S](#) [KVH1C100MF6R](#) [42-21SYGC/S530-E1/TR8](#) [YGFR411-H](#) [597-2311-402F](#) [597-2712-602F](#)