

# SUPER MICRO CONNECTORS

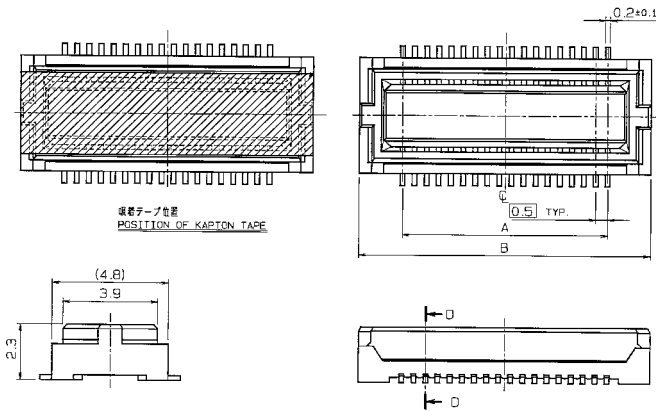
SERIES

# 5046

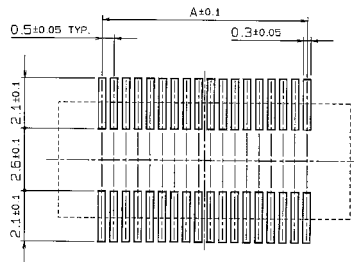
## プラグ(H=3.0mm)

## Plug (H=3.0mm)

**金具無** without metal

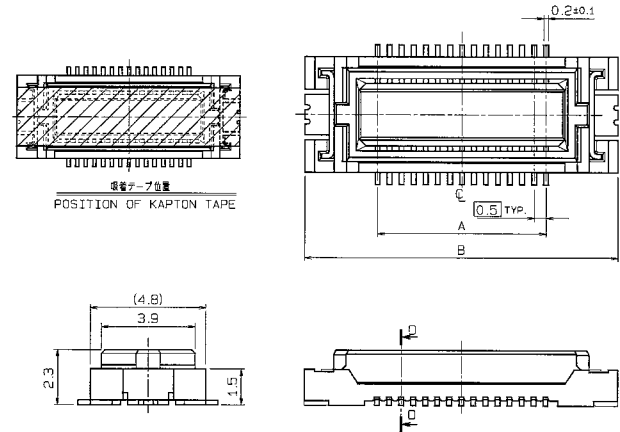


極数 NO. OF POS.	A	B
20	4.5	8.1
30	7.0	10.6
40	9.5	13.1
50	12.0	15.6
60	14.5	18.1
70	17.0	20.6
80	19.5	23.1
90	22.0	25.6
100	24.0	28.1
110	27.0	30.6
120	29.5	33.1

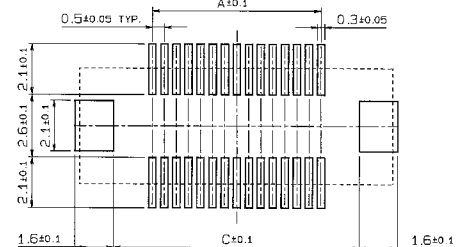


基板取付け寸法  
MOUNTING LAYOUT

**金具付** with metal

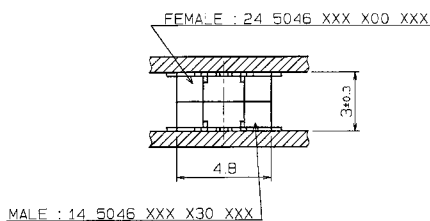
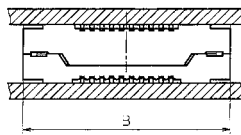


極数 NO. OF POS.	A	B	C
20	4.5	10.5	7.7
30	7.0	13.0	10.2
40	9.5	15.5	12.7
50	12.0	18.0	15.2
60	14.5	20.5	17.7
70	17.0	23.0	20.2
80	19.5	25.5	22.7
90	22.0	28.0	25.2
100	24.5	30.5	27.7
110	27.0	33.0	30.2
120	29.5	35.5	32.7



基板取付け寸法  
MOUNTING LAYOUT

嵌合高さ  
STACKING HEIGHT  
H=3mm TYPE



## 注文コード Ordering Code

嵌合高さ STACKING HEIGHT	型番 P/N					
3.0mm	FEMALE	24	5046	XXX	X00	829
	MALE	14	5046	XXX	X30	829

極数 NO. OF POS.	寸法 DIMENSION B
020	10.5
030	13.0
040	15.5
050	18.0
060	20.5
070	23.0
080	25.5
090	28.0
100	30.5
110	33.0
120	35.5

### VARIATION CODE

0	金具無	WITHOUT METAL
1	金具付	WITH METAL
5	金具無 吸着テープ付	WITHOUT METAL, WITH VACUUM TAPE
6	金具付 吸着テープ付	WITH METAL, WITH VACUUM TAPE

# SUPER MICRO CONNECTORS

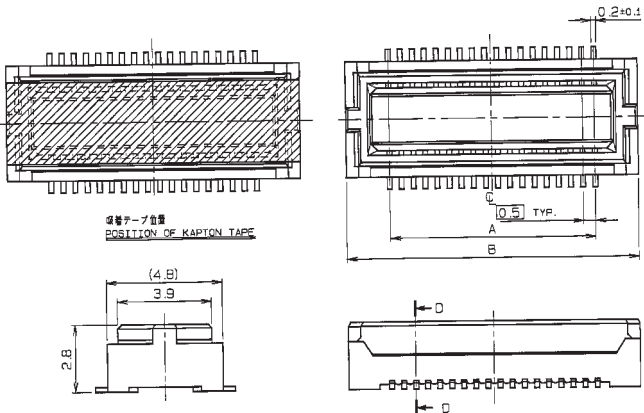
SERIES

# 5046

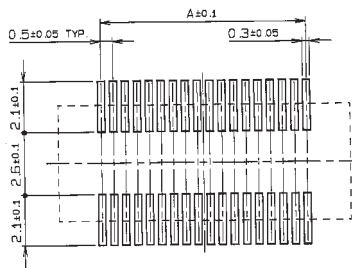
## プラグ(H=3.5mm)

## Plug (H=3.5mm)

### 金具無 without metal

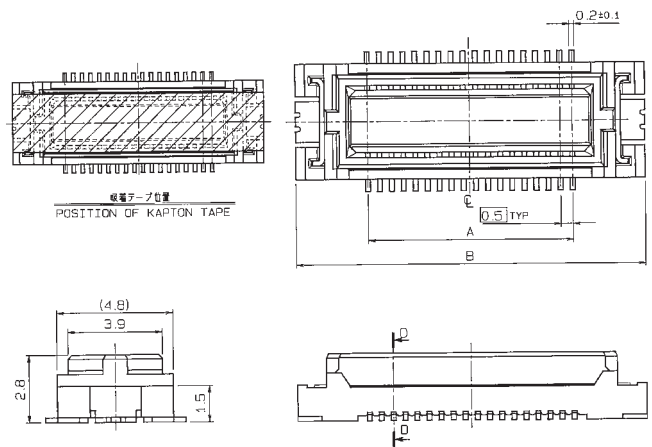


極数 NO. OF POS.	A	B
20	4.5	8.1
30	7.0	10.6
40	9.5	13.1
50	12.0	15.6
60	14.5	18.1
70	17.0	20.6
80	19.5	23.1
90	22.0	25.6
100	24.0	28.1
110	27.0	30.6
120	29.5	33.1

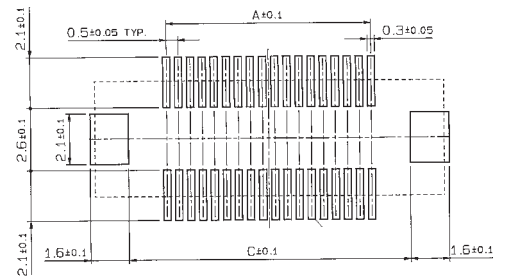


基板取付け寸法  
MOUNTING LAYOUT

### 金具付 with metal

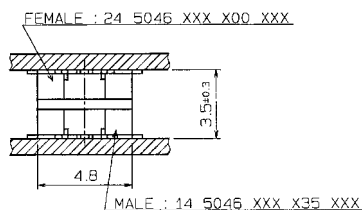
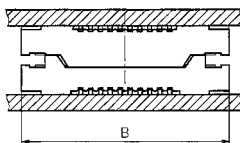


極数 NO. OF POS.	A	B	C
20	4.5	10.5	7.7
30	7.0	13.0	10.2
40	9.5	15.5	12.7
50	12.0	18.0	15.2
60	14.5	20.5	17.7
70	17.0	23.0	20.2
80	19.5	25.5	22.7
90	22.0	28.0	25.2
100	24.5	30.5	27.7
110	27.0	33.0	30.2
120	29.5	35.5	32.7



増設基板取付け寸法  
MOUNTING LAYOUT

嵌合高さ  
STACKING HEIGHT  
H=3.5mm TYPE



### 注文コード Ordering Code

嵌合高さ STACKING HEIGHT	型番 P/N					
	3.5mm	FEMALE	24	5046	XXX	X00
	MALE	14	5046	XXX	X35	829

極数 NO. OF POS.	寸法 DIMENSION B
020	10.5
030	13.0
040	15.5
050	18.0
060	20.5
070	23.0
080	25.5
090	28.0
100	30.5
110	33.0
120	35.5

### VARIATION CODE

0	金具無 WITHOUT METAL
1	金具付 WITH METAL
5	金具無 吸着テープ付 WITHOUT METAL, WITH VACUUM TAPE
6	金具付 吸着テープ付 WITH METAL, WITH VACUUM TAPE

# SUPER MICRO CONNECTORS

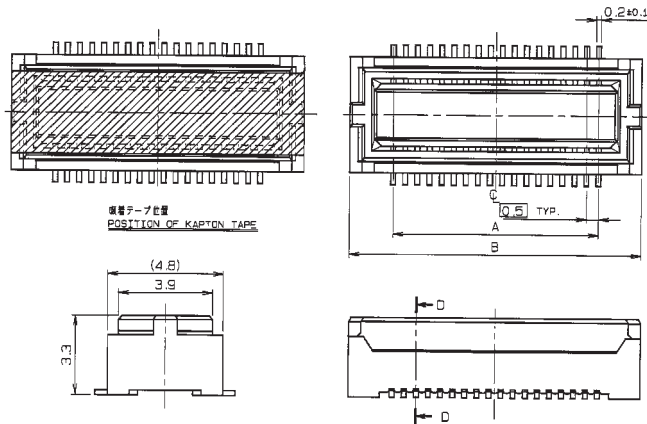
SERIES

# 5046

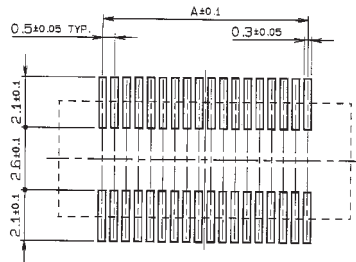
## プラグ(H=4.0mm)

## Plug (H=4.0mm)

**金具無** without metal

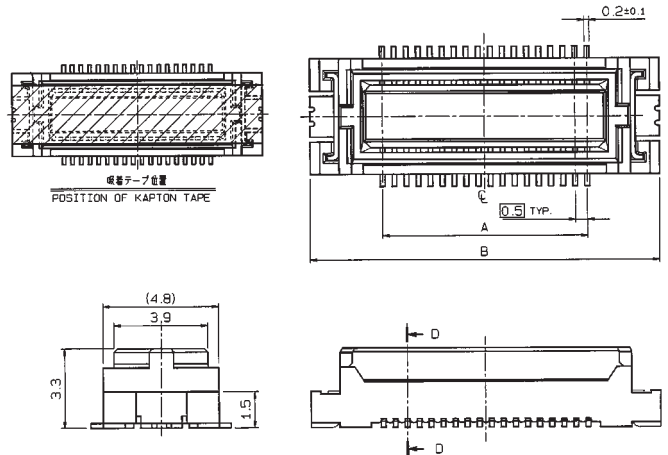


極数 NO. OF POS.	A	B
20	4.5	8.1
30	7.0	10.6
40	9.5	13.1
50	12.0	15.6
60	14.5	18.1
70	17.0	20.6
80	19.5	23.1
90	22.0	25.6
100	24.0	28.1
110	27.0	30.6
120	29.5	33.1

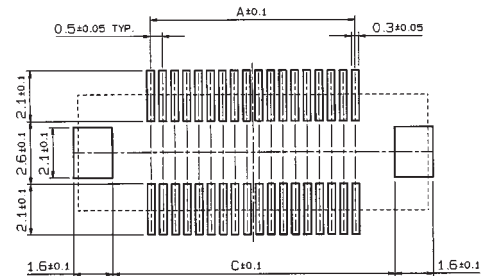


基板取り付け寸法  
MOUNTING LAYOUT

**金具付** with metal

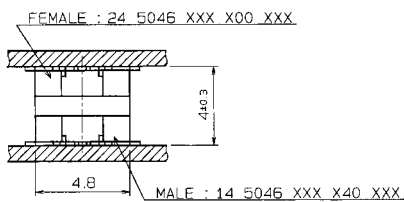
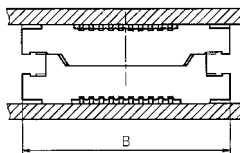


極数 NO. OF POS.	A	B	C
20	4.5	10.5	7.7
30	7.0	13.0	10.2
40	9.5	15.5	12.7
50	12.0	18.0	15.2
60	14.5	20.5	17.7
70	17.0	23.0	20.2
80	19.5	25.5	22.7
90	22.0	28.0	25.2
100	24.5	30.5	27.7
110	27.0	33.0	30.2
120	29.5	35.5	32.7



基板取り付け寸法  
RECOMMENDED LAYOUT

嵌合高さ  
STACKING HEIGHT  
H=4mm TYPE



## 注文コード Ordering Code

嵌合高さ STACKING HEIGHT	型番 P/N					
	4.0mm	FEMALE	24	5046	XXX	X00
	MALE	14	5046	XXX	X40	829

極数 NO. OF POS.	寸法 DIMENSION B
020	10.5
030	13.0
040	15.5
050	18.0
060	20.5
070	23.0
080	25.5
090	28.0
100	30.5
110	33.0
120	35.5

## VARIATION CODE

0	金具無	WITHOUT METAL
1	金具付	WITH METAL
5	金具無 吸着テープ付	WITHOUT METAL, WITH VACUUM TAPE
6	金具付 吸着テープ付	WITH METAL, WITH VACUUM TAPE

# SUPER MICRO CONNECTORS

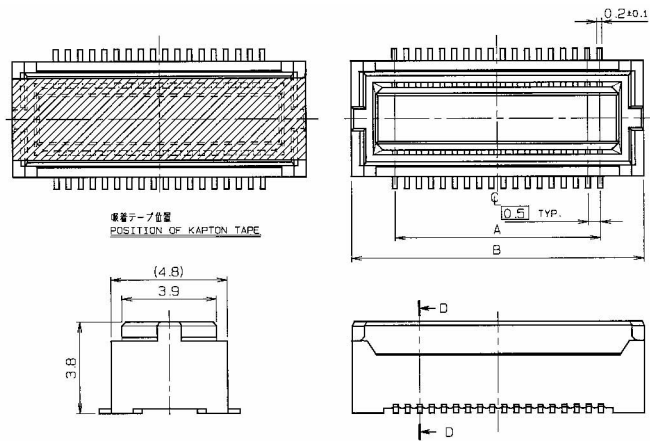
SERIES

# 5046

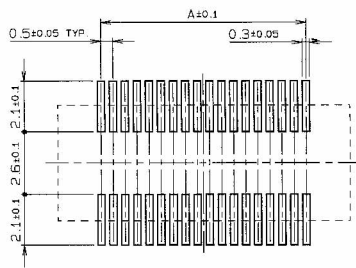
## プラグ(H=4.5mm)

## Plug (H=4.5mm)

**金具無** without metal

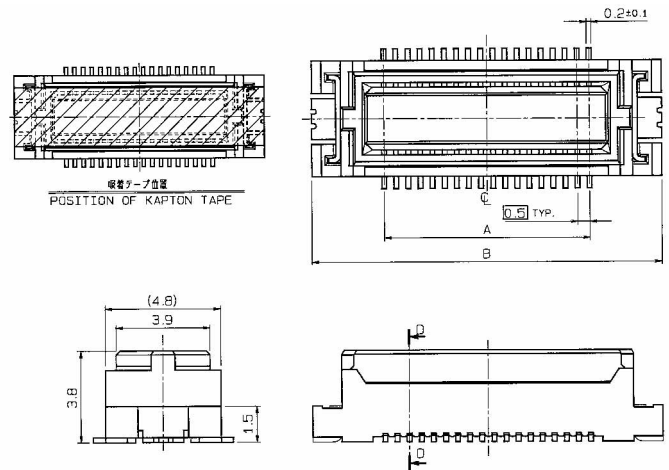


極数 NO. OF POS.	A	B
20	4.5	8.1
30	7.0	10.5
40	9.5	13.1
50	12.0	15.6
60	14.5	18.1
70	17.0	20.6
80	19.5	23.1
90	22.0	25.6
100	24.0	28.1
110	27.0	30.5
120	29.5	33.1

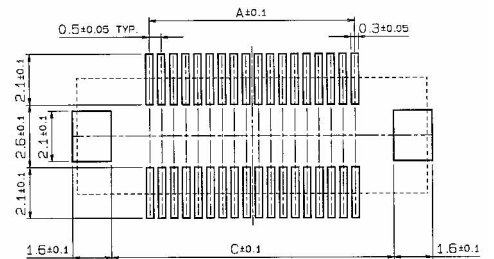


基板取付け寸法  
MOUNTING LAYOUT

**金具付** with metal

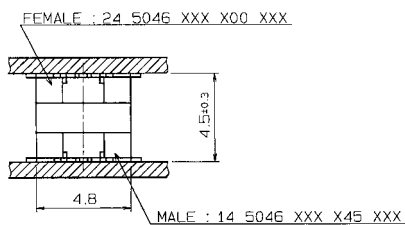
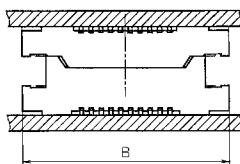


極数 NO. OF POS.	A	B	C
20	4.5	10.5	7.7
30	7.0	13.0	10.2
40	9.5	15.5	12.7
50	12.0	18.0	15.2
60	14.5	20.5	17.7
70	17.0	23.0	20.2
80	19.5	25.5	22.7
90	22.0	28.0	25.2
100	24.5	30.5	27.7
110	27.0	33.0	30.2
120	29.5	35.5	32.7



基板取付け寸法  
MOUNTING LAYOUT

嵌合高さ  
STACKING HEIGHT  
H=4.5mm TYPE



## 注文コード Ordering Code

嵌合高さ STACKING HEIGHT	型番 P/N					
	4.5mm	FEMALE	24	5046	XXX	X00
	MALE	14	5046	XXX	X45	829

極数 NO. OF POS.	寸法 DIMENSION B
020	10.5
030	13.0
040	15.5
050	18.0
060	20.5
070	23.0
080	25.5
090	28.0
100	30.5
110	33.0
120	35.5

### VARIATION CODE

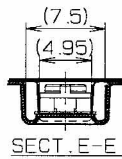
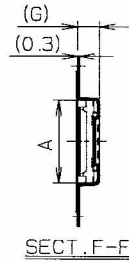
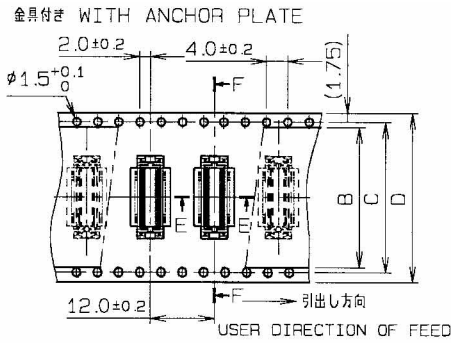
0	金具無 WITHOUT METAL
1	金具付 WITH METAL
5	金具無 吸着テープ付 WITHOUT METAL, WITH VACUUM TAPE
6	金具付 吸着テープ付 WITH METAL, WITH VACUUM TAPE

# SUPER MICRO CONNECTORS

SERIES

# 5046

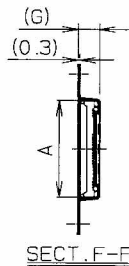
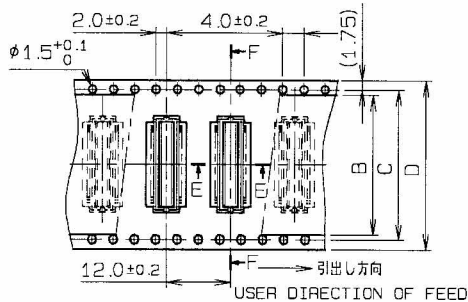
プラグ エンボス(H=3.0, 3.5, 4.0, 4.5mm)  
 Plug Tape and Reel Package (H=3.0, 3.5, 4.0, 4.5mm)



HEIGHT	G
H=3.0	4.1
H=3.5	4.1
H=4.0	4.6
H=4.5	4.6

	種数 NO. OF POS.	A	B	C	D
32mm TAPE	20	8.1	26.5	28.4	32.0
	30	10.6			
	40	13.1			
	50	15.6			
	60	18.1			
44mm TAPE	70	20.6	38.5	40.4	44.0
	80	23.1			
	90	25.6			
	100	28.1			
56mm TAPE	110	30.6	50.5	52.4	56.0
	120	33.1			

フランジ無し WITHOUT FLANGE



HEIGHT	G
H=3.0	4.1
H=3.5	4.1
H=4.0	4.6
H=4.5	4.6

	種数 NO. OF POS.	A	B	C	D
32mm TAPE	20	8.1	26.5	28.4	32.0
	30	10.6			
	40	13.1			
	50	15.6			
	60	18.1			
44mm TAPE	70	20.6	38.5	40.4	44.0
	80	23.1			
	90	25.6			
	100	28.1			
56mm TAPE	110	30.6	50.5	52.4	56.0
	120	33.1			

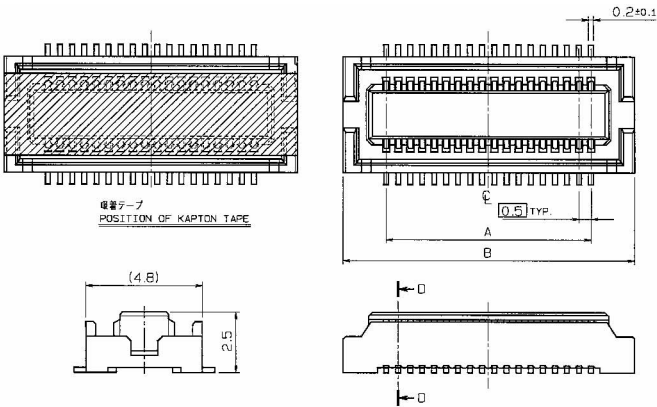
# SUPER MICRO CONNECTORS

SERIES

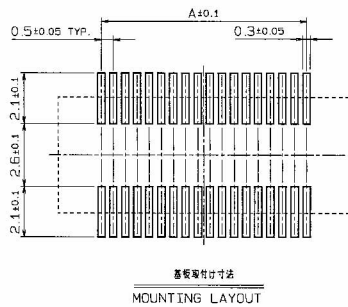
# 5046

リセ  
Receptacle

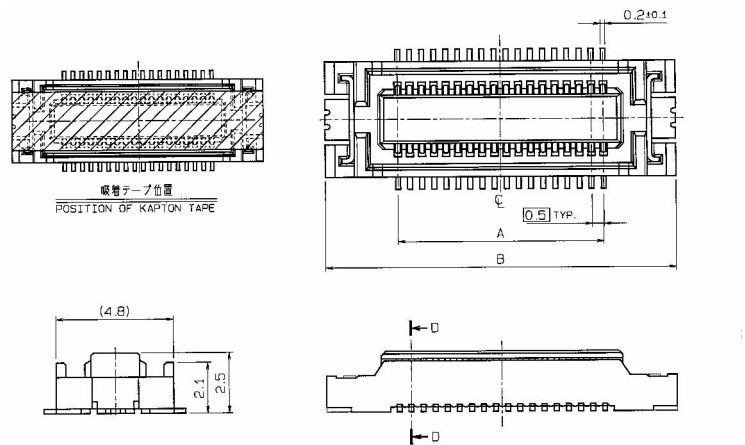
## 金具無 without metal



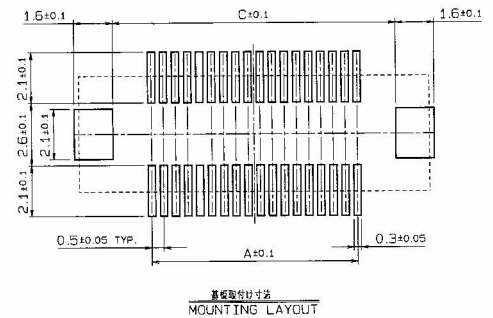
極数 POS.	A	B
20	4.5	8.1
30	7.0	10.6
40	9.5	13.1
50	12.0	15.6
60	14.5	18.1
70	17.0	20.6
80	19.5	23.1
90	22.0	25.6
100	24.5	28.1
110	27.0	30.6
120	29.5	33.1



## 金具付 with metal



極数 POS.	A	B	C
20	4.5	10.5	7.7
30	7.0	13.0	10.2
40	9.5	15.5	12.7
50	12.0	18.0	15.2
60	14.5	20.5	17.7
70	17.0	23.0	20.2
80	19.5	25.5	22.7
90	22.0	28.0	25.2
100	24.5	30.5	27.7
110	27.0	33.0	30.2
120	29.5	35.5	32.7



## 注文コード Ordering Code

嵌合高さ STACKING HEIGHT	型番 P/N					
4.5mm	FEMALE	24	5046	XXX	X00	829
	MALE	14	5046	XXX	X45	829
4.0mm	FEMALE	24	5046	XXX	X00	829
	MALE	14	5046	XXX	X40	829
3.5mm	FEMALE	24	5046	XXX	X00	829
	MALE	14	5046	XXX	X35	829
3.0mm	FEMALE	24	5046	XXX	X00	829
	MALE	14	5046	XXX	X30	829

極数 NO. OF POS.	寸法 DIMENSION B
020	10.5
030	13.0
040	15.5
050	18.0
060	20.5
070	23.0
080	25.5
090	28.0
100	30.5
110	33.0
120	35.5

## VARIATION CODE

0	金具無 WITHOUT METAL
1	金具付 WITH METAL
5	金具無 吸着テープ付 WITHOUT METAL. WITH VACUUM TAPE
6	金具付 吸着テープ付 WITH METAL. WITH VACUUM TAPE

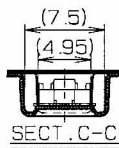
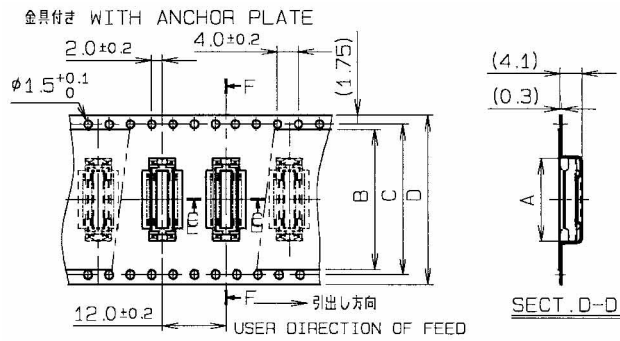
# SUPER MICRO CONNECTORS

SERIES

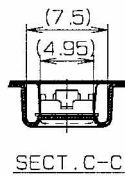
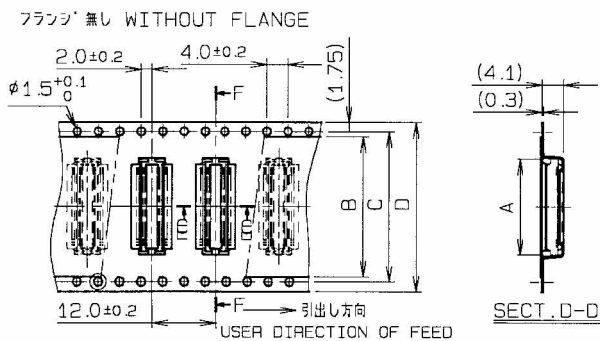
# 5046

## リセ エンボス

## Receptacle Tape and Reel Package



	極数 NO. OF POS.	A	B	C	D
32mm TAPE	20	10.65	26.5	28.4	32.0
	30	13.15			
	40	15.65			
	50	18.15			
	60	20.65			
44mm TAPE	70	23.15	38.5	40.4	44.0
	80	25.65			
	90	28.15			
	100	30.65			
56mm TAPE	110	33.15	50.5	52.4	56.0
	120	35.65			



	極数 NO. OF POS.	A	B	C	D
32mm TAPE	20	10.65	26.5	28.4	32.0
	30	13.15			
	40	15.65			
	50	18.15			
	60	20.65			
44mm TAPE	70	23.15	38.5	40.4	44.0
	80	25.65			
	90	28.15			
	100	30.65			
56mm TAPE	110	33.15	50.5	52.4	56.0
	120	35.65			

## X-ON Electronics

Largest Supplier of Electrical and Electronic Components

*Click to view similar products for [Kyocera manufacturer](#):*

Other Similar products are found below :

[C-51505NFQJ-LW-ALN](#) [C-51850NFJ-SLW-ADN](#) [CX2520DB38400F0WLLCC](#) [245804030000829+](#) [PBRC12.00HR50X0RZ](#)  
[TCG121WXLRXVNNANX35](#) [TK150X03-002](#) [KT7050A10000KAW33TAD](#) [TKL-121WOB-18055-A](#) [T-55532D104J-LW-A-ADN](#) [KDA-121OB-18055S-A](#) [T-55788GD121J-LW-AGN](#) [CX5032GB24000H0PESZZ](#) [TKL-104XOB-18054-A](#) [TCG062HVLDA-G20](#) [KCQ20A06](#)  
[KSF30A40B](#) [KCU30A20](#) [KSU30A30B](#) [KDA-070OB-18052S-A](#) [TKL-070WOB-18052-A](#) [MC2016K40.0000C16ESH](#)  
[PBRV12.00MR50Y000](#) [KCH20A10](#) [KCF16A20](#) [FCH20A\(U\)10](#) [KCQ30A04](#) [FCHS30A045](#) [GCQ20A04](#) [GCQ30A04](#)  
[CX2016DB16000D0GPSC1](#) [TG035QVLQAANN-GN00](#) [008283081100000+](#) [CX3225SB22579D0PPSC1](#) [245046030600868+](#) [S-12564](#)  
[KC3225Z8.00000C1KX00](#) [CX2520DB32000F0FPLCC](#) [CX3225SB16000D0GEJZ1](#) [CX3225SB13560D0PESZZ](#) [CX3225SB24576D0PPSC1](#)  
[FCQS30A045](#) [KCU20A20](#) [TCG121XGLPBPNN-AN40](#) [CX5032GB08000D0PPS02](#) [CX3225SA10000D0PPST1](#) [CX3225GB40000D0HEQ](#)  
[296406200001856+](#) [GSH05A10](#) [FSU05A40](#)