



ITT

**Mini RF
Customer Support Locations**

AMERICAS

100 New Wood Road
Watertown, CT 06795
Tel: 860.945.0206
Toll Free: 800.683.7666
Fax: 860.945.0303

ASIA

Unit 901 & 912, West Tower,
Shun Tak Center
168-200 Connaught Road
Central, Hong Kong
Tel: +852.2732.2720
Fax: +852.2732.2919

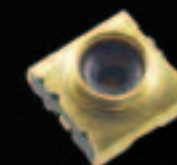
EUROPE

Jays Close, Viabes Estate
Basingstoke, Hants, RG22 4BA
Tel: +44.1256.311850
Fax: +44.1256.332214



Electronic Components

**Cannon Mini RF
Switching Connector**



Mini RF Switching Connector

Mini RF connectors are the ideal solution for customers producing devices that require verification of antenna or circuit board performance. They are specifically designed for use with portable terminal interfaces and the inspection of microwave boards used at frequencies of up to 6 GHz. The specially incorporated flared interface cone not only allows the user to snap on a bench test adaptor but also allows high mating cycles on the accessory connector.

Features & Benefits of the Design

- Small size / low profile saving space on PCB
- High mating cycles on accessory port
- Switchable
- High force on the switch providing more robust connection
- Robust design
- Latching mechanism for ease-of-use during bench testing
- Compatible with lead free soldering
- Designed for pick and place
- Cradle interface incorporates patented ball - enables angular misalignment without loss to performance
- Compliant with WEEE and RoHS directives

Accessories

Ball Nose Cradle connector typical for car kit applications and Low Profile Jump Cable typical for board-to-board system connection.

Applications

- Mobile handset
- Other wireless (PDA, PPC, Gaming)
- Portable phones
- Network carriers - base stations
- Automotive - key fob / locking
- Industrial - transportation equipment
- Cable houses - board-to-board cable interconnect
- Electronic measuring instrumentation / equipment
- GPS - navigation systems (ETC)
- Wireless LAN

And any small devices requiring verification of antenna / circuit performance.

Mini RF Series	120220-0180 Accessory connector 120220-0190 Test Port
Base materials	Copper alloy - Shell LCP plastic - Insulator Beryllium copper - Contacts
Plating	120220-0180 - Gold over nickel 120220-0190 - Matt tin finish over nickel

ELECTRICAL	
Frequency	0.01 - 6 GHz
Impedance	50Ω nominal
VSWR	≤ 1.2:1
Insertion loss	unmated condition <0.1 dB mated condition <0.5 dB
Dielectric withstanding voltage	100 VAC (150 V peak)
Contact resistance	200mΩ max (initial)
Power	2 watts

MECHANICAL	
Mating Cycles	120220-0180 (with cradle connector) up to 10,000 mating cycles 120220-0190 (with test adaptor) 100 mating cycles

ENVIRONMENTAL	
Operating temperature	-40 to 85°C
Humidity	operable in 95% RH temp +40°C
Solder systems	Infrared and hot air reflow suitable for lead-free
Vibration	In accordance IEC 68-2-64
Shock	In accordance to IEC 68-2-27, 100 g

PACKAGING	
Packaging style	Tape and reel to EIA-481
Packaging size	8000 per reel
Small reel	2000 per reel

A float mount production test adaptor is available by request.

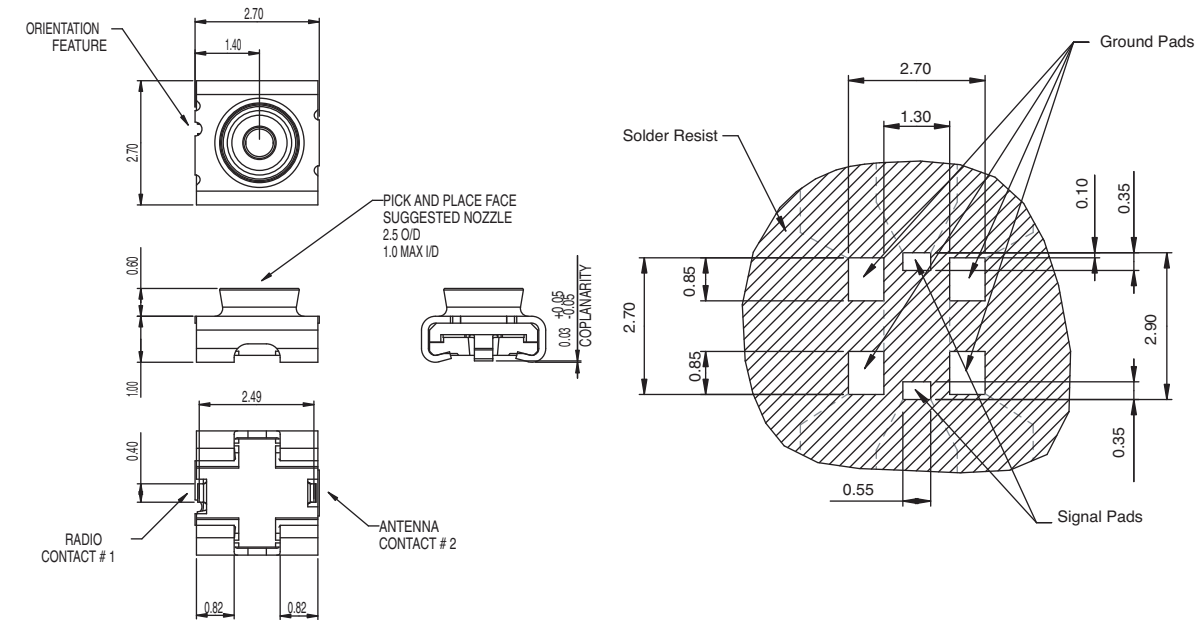
© 2006 ITT Industries, Inc.
Specifications and other data are based on information available at the time of printing, and are subject to change without notice.



120220-0180
Cradle Interface



120220-0190
Test Port Interface



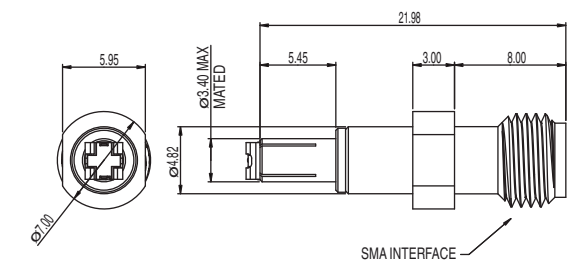
Accessories



120220-0175
Snap-on Bench Test Adaptor



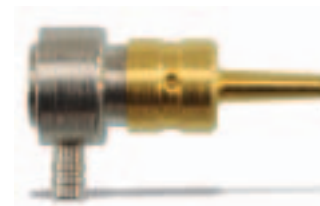
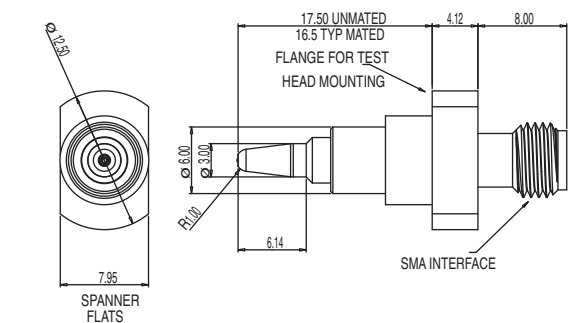
Snap-on mated



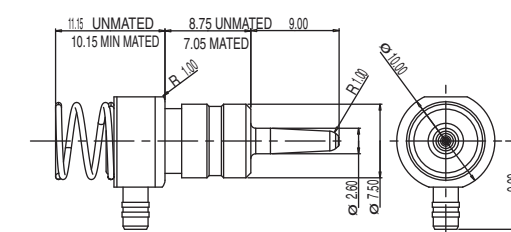
120220-0176
Ball Nose Production Test Adaptor



Ball Nose mated



120220-0177
Cradle Connector



Mini RF Switching Connector

Mini RF connectors are the ideal solution for customers producing devices that require verification of antenna or circuit board performance. They are specifically designed for use with portable terminal interfaces and the inspection of microwave boards used at frequencies of up to 6 GHz. The specially incorporated flared interface cone not only allows the user to snap on a bench test adaptor but also allows high mating cycles on the accessory connector.

Features & Benefits of the Design

- Small size / low profile saving space on PCB
- High mating cycles on accessory port
- Switchable
- High force on the switch providing more robust connection
- Robust design
- Latching mechanism for ease-of-use during bench testing
- Compatible with lead free soldering
- Designed for pick and place
- Cradle interface incorporates patented ball - enables angular misalignment without loss to performance
- Compliant with WEEE and RoHS directives

Accessories

Ball Nose Cradle connector typical for car kit applications and Low Profile Jump Cable typical for board-to-board system connection.

Applications

- Mobile handset
- Other wireless (PDA, PPC, Gaming)
- Portable phones
- Network carriers - base stations
- Automotive - key fob / locking
- Industrial - transportation equipment
- Cable houses - board-to-board cable interconnect
- Electronic measuring instrumentation / equipment
- GPS - navigation systems (ETC)
- Wireless LAN

And any small devices requiring verification of antenna / circuit performance.

Mini RF Series	120220-0180 Accessory connector 120220-0190 Test Port
Base materials	Copper alloy - Shell LCP plastic - Insulator Beryllium copper - Contacts
Plating	120220-0180 - Gold over nickel 120220-0190 - Matt tin finish over nickel

ELECTRICAL	
Frequency	0.01 - 6 GHz
Impedance	50Ω nominal
VSWR	≤ 1.2:1
Insertion loss	unmated condition <0.1 dB mated condition <0.5 dB
Dielectric withstanding voltage	100 VAC (150 V peak)
Contact resistance	200mΩ max (initial)
Power	2 watts

MECHANICAL	
Mating Cycles	120220-0180 (with cradle connector) up to 10,000 mating cycles 120220-0190 (with test adaptor) 100 mating cycles

ENVIRONMENTAL	
Operating temperature	-40 to 85°C
Humidity	operable in 95% RH temp +40°C
Solder systems	Infrared and hot air reflow suitable for lead-free
Vibration	In accordance IEC 68-2-64
Shock	In accordance to IEC 68-2-27, 100 g

PACKAGING	
Packaging style	Tape and reel to EIA-481
Packaging size	8000 per reel
Small reel	2000 per reel

A float mount production test adaptor is available by request.

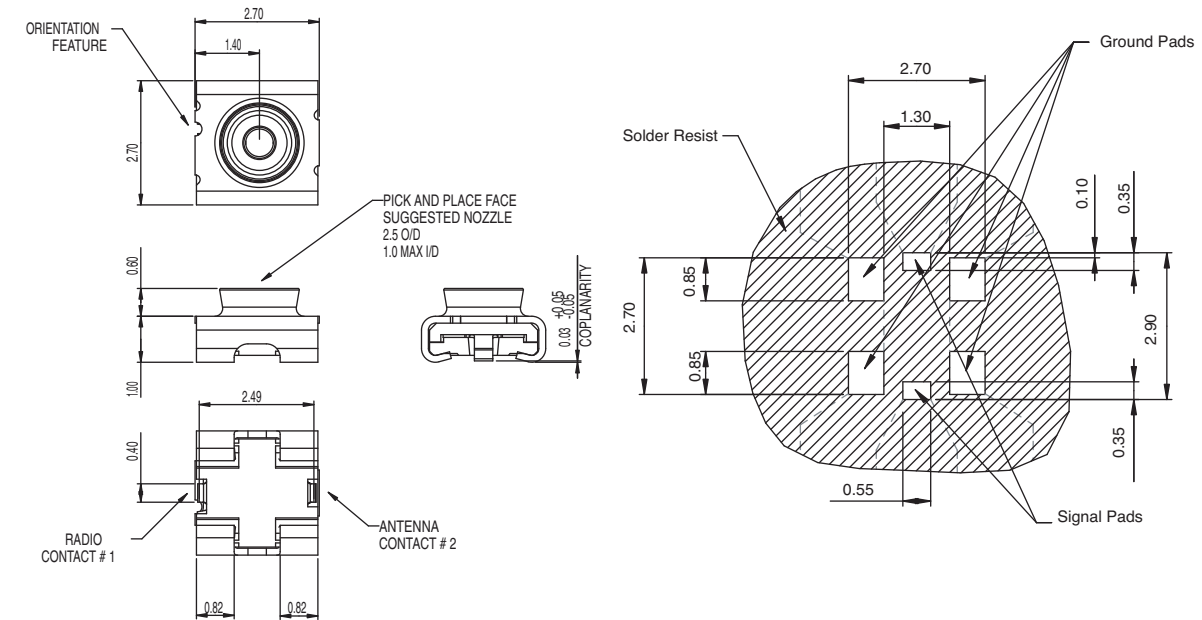
© 2006 ITT Industries, Inc.
Specifications and other data are based on information available at the time of printing, and are subject to change without notice.



120220-0180
Cradle Interface



120220-0190
Test Port Interface



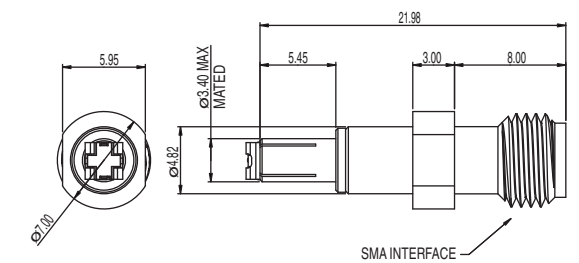
Accessories



120220-0175
Snap-on Bench Test Adaptor



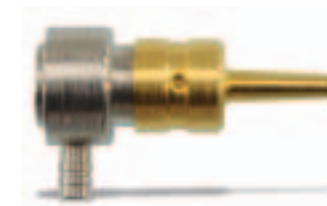
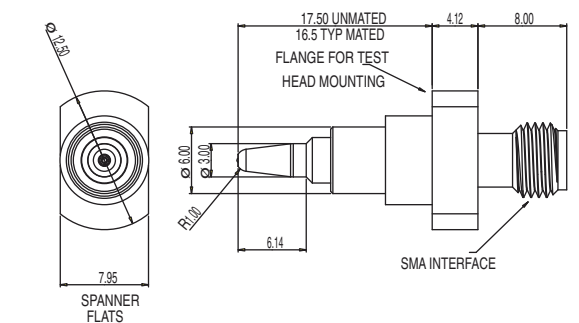
Snap-on mated



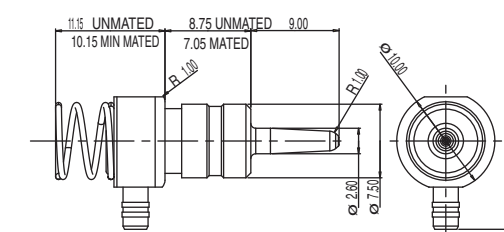
120220-0176
Ball Nose Production Test Adaptor



Ball Nose mated



120220-0177
Cradle Connector





ITT

**Mini RF
Customer Support Locations**

AMERICAS

100 New Wood Road
Watertown, CT 06795
Tel: 860.945.0206
Toll Free: 800.683.7666
Fax: 860.945.0303

ASIA

Unit 901 & 912, West Tower,
Shun Tak Center
168-200 Connaught Road
Central, Hong Kong
Tel: +852.2732.2720
Fax: +852.2732.2919

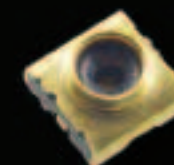
EUROPE

Jays Close, Viables Estate
Basingstoke, Hants, RG22 4BA
Tel: +44.1256.311850
Fax: +44.1256.332214



Electronic Components

**Cannon Mini RF
Switching Connector**



www.ittcannon.com

©2006 ITT Industries, Inc. "Engineered for life" and "Cannon" are registered trademarks of ITT Industries, Inc. Specification and other data are based on information available at the time of printing, and are subject to change without notice.

MRF-06-apr

Engineered for life

X-ON Electronics

Largest Supplier of Electrical and Electronic Components

Click to view similar products for ITT manufacturer:

Other Similar products are found below :

[BKAF3-68102-25](#) [CA02COME22-22SBF80](#) [BKAD2-234-30001](#) [CB0-24-10SSA232](#) [MDM-31PSF](#) [110238-0195](#) [DAMN-7H2SN-A197](#)
[MDM21SH003M7](#) [MS3100F24-11PW](#) [MS3100E2410SZ](#) [MS3100F24-10SZ](#) [MS3100F24-11P](#) [BKAC2-313-32201](#) [MS3100E2411P](#)
[MS3100E2411PW](#) [MS3100E2411PX](#) [MS3100E2411PY](#) [MS3100E2411PZ](#) [MS3100F2411PX](#) [MS3100F2411PY](#) [MS3100F2411PZ](#)
[MS3106F2422SY](#) [MS3106E24-22SY](#) [MS3100F2422PW](#) [MS3100F2422PX](#) [MS3106E24-22SX](#) [MS3106E24-10S](#) [MS3100F2422SW](#)
[MS3100F2422SY](#) [MS3100F2422SX](#) [MS3100E2422PW](#) [MS3100E2422PX](#) [MS3100E2422PY](#) [MS3100F2422PY](#) [CA3102R32-15PK10](#)
[MS3100F2428SX](#) [MS3100F2428SY](#) [MS3100F24-28SZ](#) [MS3100F24-28PW](#) [MS3106E2428PZ](#) [MS3106F24-28SZ](#) [MS3106E2428PW](#)
[MS3100F24-28SW](#) [MS3106E2428SX](#) [BKAD3-A713-30001](#) [BKAD3-626-30001](#) [BKAC3-626-30001](#) [BKAD3-A713-30017](#) [BKAD3-537-](#)
[30001](#) [MDM51PH001BA174](#)