

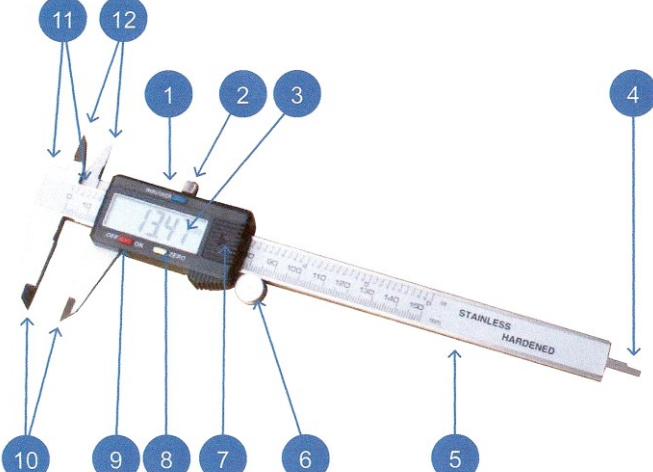


<p>Metric / Inch model</p>  <p>Metric only model</p> 	<p>Hardened stainless steel frame and measuring jaws Thumbroll adjustment Knurled locking screw Depth rod Clear LCD Display Large 11mm digits Inch/Metric conversion (except 49-923-155, metric only) Origin setting Resolution: 0.01mm / 0.0005" Repeatability: 0.01mm / 0.0005" 4 Way measurement: Individual serial numbers Power: 1 x Silver oxide battery SR44 - 1.55v Operating temperature: 5 - 40°C Relative humidity: Maximum 80% Warranty: 1 year</p>
---	--

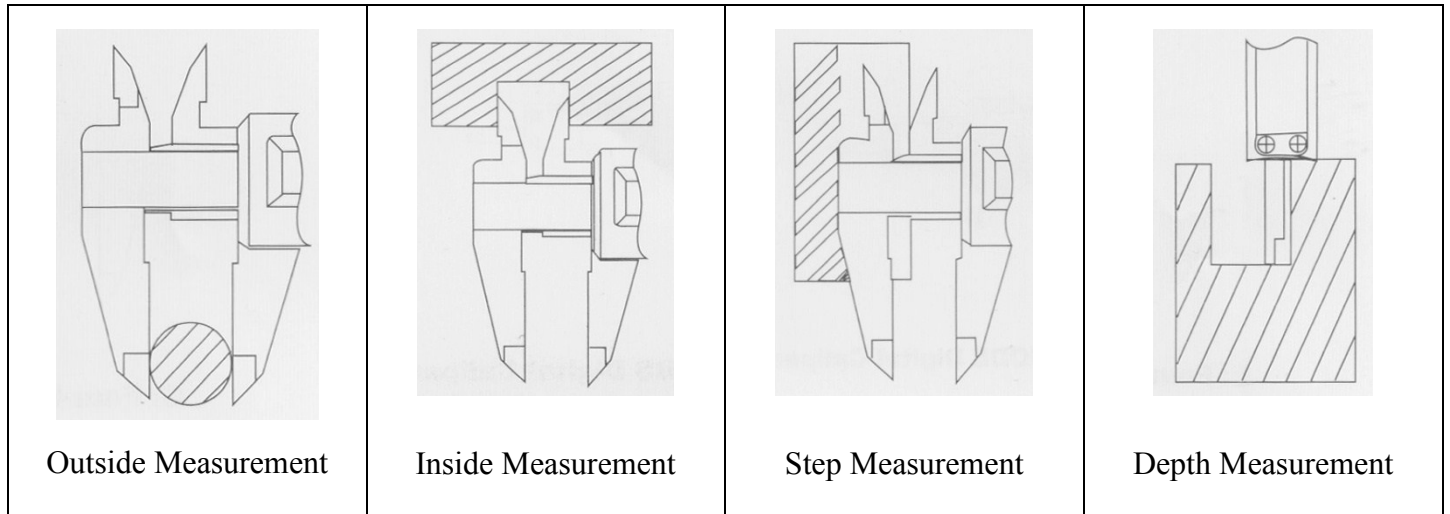
	<ol style="list-style-type: none"> 1 Metric / Inch Conversion Button 2 Knurled Locking Screw 3 LCD Display 4 Depth Measuring Blade 5 Caliper Beam 6 Thumbroll Fine Adjustment 7 Battery Cover 8 Zero Set Button 9 Power Button ON/OFF 10 External Measuring Jaws 11 Step Measuring Faces 12 Internal Measuring Jaws
--	---

Code	Range	Resolution	Repeatability	Accuracy
49-923-150	150mm / 6"	0.01mm / 0.0005"	0.01mm / 0.0005"	±0.02mm (≤ 100mm) ±0.03mm (≥ 100mm – 200mm) ±0.04mm (≥ 200mm – 300mm)
49-923-200	200mm / 8"	0.01mm / 0.0005"	0.01mm / 0.0005"	
49-923-300	300mm / 12"	0.01mm / 0.0005"	0.01mm / 0.0005"	
49-923-155	150mm	0.01mm	0.01mm	

Code	Range	External Jaw Length	Internal Jaw Length
49-923-150	150mm / 6"	40mm	18mm
49-923-200	200mm / 8"	50mm	20mm
49-923-300	300mm / 12"	60mm	20mm
49-923-155	150mm	40mm	18mm

Electronic Calipers

4 Way Measurement Feature



OPERATING INSTRUCTIONS

When using the Caliper for the first time or after a period of non-use, wipe the beam scale with a dry clean cloth to remove any condensation or oil deposits.

Prior to setting the caliper for measuring, first clean the measuring faces with a soft clean cloth or paper.

Switch Caliper ON

Move Caliper jaws together.

Select required measuring mode Inch / Metric.

Zero display, caliper is now ready for direct measurement.

Caliper can be zeroed at any position within its range, to provide relative measurements.

Caliper provides 4 way measurements, External, Internal, Step and Depth.

OPERATING CARE

Clean measuring faces with dry soft cloth

Keep away from strong magnetic fields

Prevent ingress of oil / liquids into electronics

Remove battery if instrument is not used for a long period of time

Do not disassemble or drop the instrument

Do not mark instrument by engraving, etching or any other permanent marking method, as this will invalidate the warranty

FAULT FINDING

Fault	Cause	Action
Display flashes	Battery voltage below 1.45volts	Replace battery
Display frozen	Circuit overload	Remove battery and replace after 4 minutes
Accuracy below specification but within +/- 0.1mm	Dirt in sensor	Remove slider cover assembly, clean face of sensor with dry clean compressed air (5kg/cm2)
No display	Poor battery contact	Remove battery and carefully adjust battery contacts, replace battery.
	Dead battery	Replace battery.

X-ON Electronics

Largest Supplier of Electrical and Electronic Components

Click to view similar products for [Duratool](#) manufacturer:

Other Similar products are found below :

[DTRRLCBSR-6-01](#) [21-7301](#) [D00781](#) [D01429](#) [D01439](#) [D01444](#) [D01987](#) [D01992](#) [D02292](#) [D02358](#) [PFL6001](#) [D00281](#) [D00345](#) [D00358](#)
[D00642](#) [D00807](#) [HT-214D](#) [D01986](#) [PDR4001](#) [79-3991](#) [79-3989](#) [79-3971](#) [MC23780](#) [MC000004](#) [24-8463](#) [DTRNSE 1207 M2.5 12](#)
[DTRHTSA-M6-30-1](#) [DTRFAHSSBFM4-15-7](#) [DTRDLMSPM-12-01](#) [NC01080081FA](#) [DTRPGSB-4A](#) [DTRNSE 1207 M6 10](#) [DTRNNE 1587](#)
[M4](#) [DTRFF-005P4X5](#) [DM2.5-FASTWAZ100DIN125](#) [M516 KRSTMCZ100-](#) [M420 KRSTMCZ100-](#) [79-3960](#) [79-3982](#) [PCL8010/B](#)
[DTRNNE 34814 M2](#) [DTRMSPM-3-01](#) [DTRLCBSBM-4-01A2-RT](#) [DTRHTSA-M6-20-2](#) [DTRDLCBSM-4-01](#) [59-020-042](#) [ROD10](#)
[MAX430S.079](#) [101ETN](#) [DT000021](#)