

# E70 Series



## Splashproof Sub-Miniature Snap-Action Switches

[Back to Main Products Page](#)

[Snap-Action Switch News](#)

[Find a Rep / Distributor](#)

[Request Quotation](#)

[Ask a Question](#)

[Application Help](#)

[Request a Sample](#)

[Request a Catalog](#)

[Download Drawings \(.dxf\)](#)

[Competitor Cross Reference](#)

[Application Showcase](#)

[RoHS Compliance](#)

[Switch Parametric Search](#)

Text Search

 [▶ go](#)

Product Series Search

 [▶ go](#)

Check Distributor Stock

 [▶ go](#)

To download a PDF of the **Cherry Switches Master Catalog**, [click here](#).

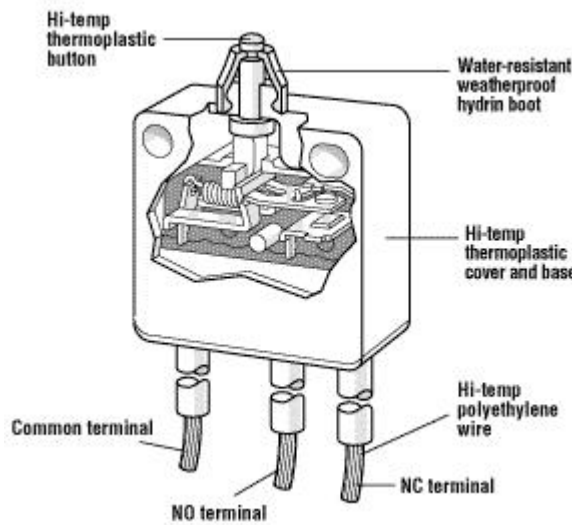


To download the latest version of Adobe Acrobat Reader, [click here](#).



### FEATURES

- | Moisture resistant
- | 3 contact arrangements
- | Long life coil spring mechanism
- | Choice of button or hinged actuator
- | 10-inch, 16 gauge leads attached
- | Custom wire and harness designs available upon request



[Click for Larger View](#)

### E70 SERIES



[download PDF](#)

### ELECTRICAL RATINGS

Switch Series	EN61058 Rating	UL1054 Rating	Electrical Life at Rated Load	
			According to VDE (Min. Operations)	According to UL (Min. Operations)
E72	N/A	10.1A, 1/4HP, 125/250VAC	N/A	6,000
E73	N/A	0.1A, 125VAC	N/A	6,000

### SPECIFICATIONS

#### Electrical

Temperature Rating: -40° to +85°C

Flammability Rating: UL94V-O

#### Materials

Case: Hi-Temp Thermoplastic Nylon

Boot: Hydrin

Button: Hi-Temp Thermoplastic Nylon

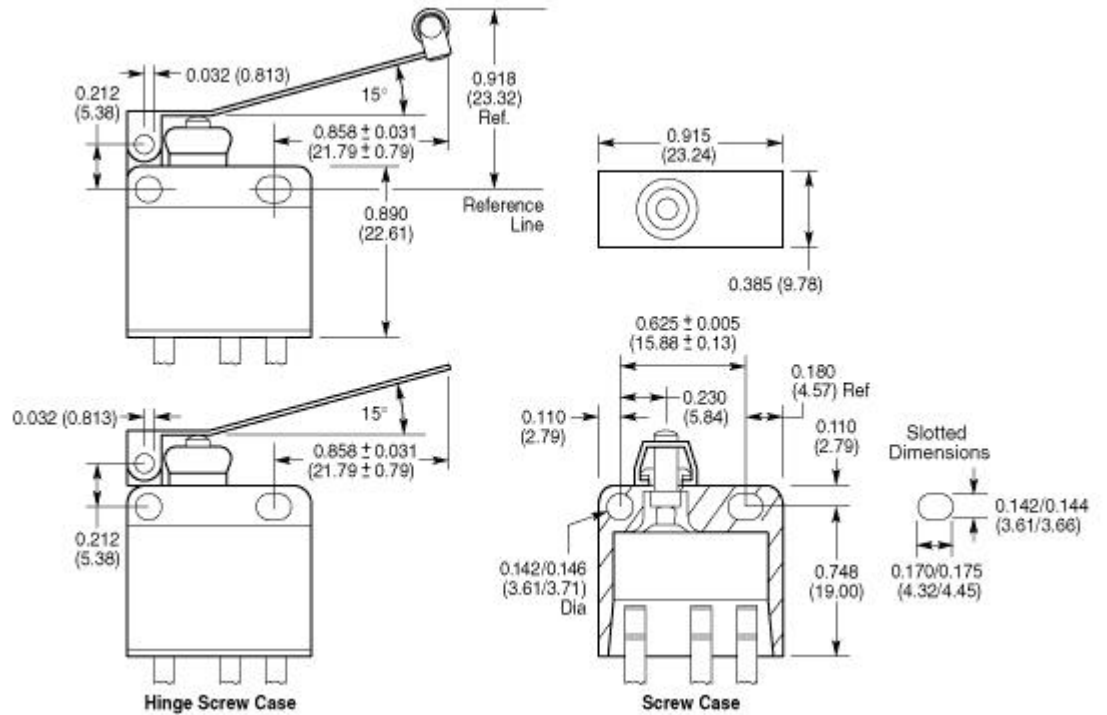
Actuator: Stainless Steel

Potting: Macromelt Polyamide

Contacts: Silver Alloy (E72), Gold Crosspoint (E73)

### APPROVALS

## DIMENSIONS



Inches (mm)

[Click for Larger View](#)

## ACTUATOR SPECIFICATIONS

Actuator Code	Actuator Type	Maximum Operating Force (g)	Max. Pre-Travel inches (mm)	Operating Point inches (mm)	Min. Over-Travel inches (mm)	Max. Movement Differential inches (mm)	Max. Rest Position inches (mm)
-40AT	Button	300	0.040 (1.02)	0.310 ±0.350 (7.87 ±8.99)	0.035 (0.89)	0.004 (0.10)	0.390 (9.91)
-40HT	Lever	67	0.275 (6.99)	0.440 ±0.750 (11.18 ±19.05)	0.100 (2.54)	0.024 (0.61)	0.972 (24.69)
-40KT	Roller	75	0.240 (6.10)	0.762 ±0.125 (19.36 ±3.18)	0.125 (3.18)	0.025 (0.635)	1.041 (26.44)

## ORDERING INFORMATION

Actuator	Silver Contacts	Gold Contacts
Button	E72-40AT	E73-40AT
Lever	E72-40HT	E73-40HT
Roller	E72-40KT	E73-40KT

Specifications subject to change without notice.

## X-ON Electronics

Largest Supplier of Electrical and Electronic Components

*Click to view similar products for ZF Cherry manufacturer:*

Other Similar products are found below :

[0609-0801](#) [J82-16001LUNEU-0](#) [714-0262](#) [GPTBRH11](#) [AN920036](#) [PEEA3000](#) [G86-62401EUAEAA](#) [KBCV4400N](#) [WCHY-118](#) [AS201801](#)  
[MX1A-11NN](#) [AFIK-5002](#) [JK-A0104EU-2](#) [STE-1188751RFSP](#) [STE-1189974RFIS](#) [STE-1189975RFIS](#) [STE-1225705RFGF](#) [STE-](#)  
[1316916RFHB](#) [STE-1370677RFRX](#) [STE-1428116RF96](#) [E21-00A](#) [E34-00LV](#) [E63-00L](#) [GPSCRS11](#) [T10-01A](#) [T56-02M](#) [PHGA-3100](#)  
[G813000LPNUS0](#) [G813512LADUS-0](#) [G836104LANUS](#) [0E1900A0](#) [0609-0756](#) [STE-1209282RF10](#) [STE-1362227RFRC](#) [DC3AA1LD](#) [E69-](#)  
[00AA](#) [T56-12M](#) [D44CR1MD](#) [G836104LPNUS](#) [DC3C-M5RC](#) [STE-1373187RFRX](#) [WCHY-106](#) [0E6840A0](#) [G8011900LPMUS0](#) [PAAA3000](#)  
[0E72-40HT](#) [G84-4700LUCUS-2](#) [G86-63400EUADAA](#) [STE-1042609RFRC](#) [STE-1190530RF95](#)