



ELECTRONICS, INC.
 44 FARRAND STREET
 BLOOMFIELD, NJ 07003
 (973) 748-5089
<http://www.nteinc.com>

NTE6094 Silicon Rectifier Schottky Barrier 45V, 60 Amp, DO5

Description:

The NTE6094 is a Schottky Barrier Rectifier in a DO5 type package designed for use as a rectifier in low-voltage, high-frequency inverters, freewheeling diodes, and polarity-protection diodes.

Features:

- Guaranteed Reverse Avalanche
- Extremely Low v_f
- Low Stored Charge, majority Carrier Conduction
- Guardring for Stress Protection
- Low Power Loss/High Efficiency
- +150°C Operating Junction Temperature Capability
- High Surge Capacity

Absolute Maximum Ratings:

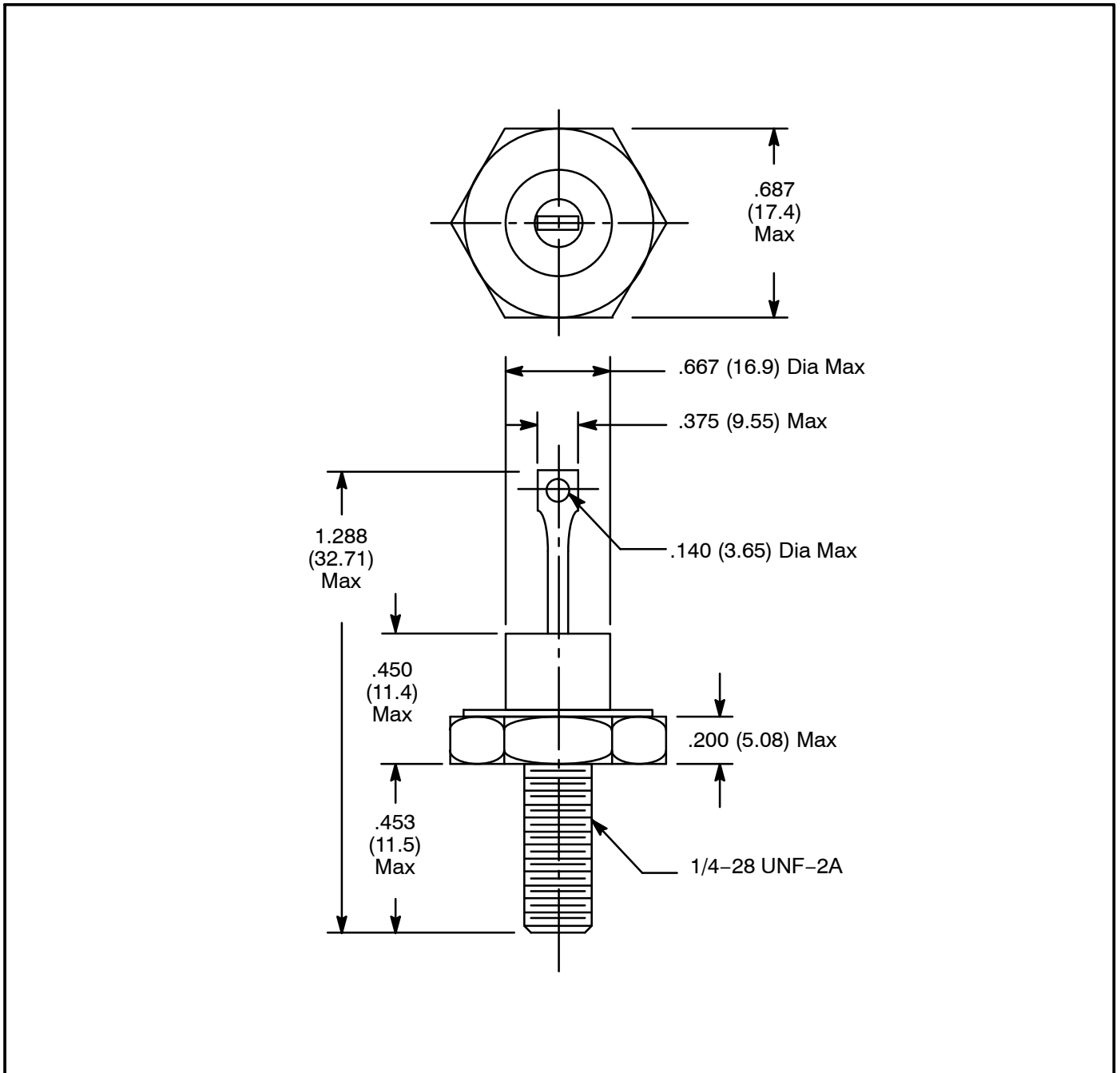
Peak Repetitive Reverse Voltage, V_{RRM}	45V
Working Peak Reverse Voltage, V_{RWM}	45V
DC Blocking Voltage, V_R	45V
Peak Repetitive Forward Current, I_{FRM} ($V_R = 45V$, $T_C = +90^\circ C$, Square Wave, 20kHz)	120A
Non-Repetitive Peak Surge Current, I_{FSM} (Surge Applied at Rated Load Conditions Halfwave, Single Phase, 60Hz)	800A
Peak Repetitive Reverse Surge Current (Note 1, 2.0 μs , 1.0kHz), I_{RRM}	2A
Voltage Rate of Change ($V_R = 45V$), dv/dt	700V/ μs
Operating Junction Temperature Range (Reverse Voltage Applied), T_J	-65° to +150°C
Storage Temperature Range, T_{stg}	-65° to +165°C
Maximum Thermal Resistance, Junction-to-Case, R_{thJC}	1.0°C/W

Note 1. Pulse Test: Pulse Width = 300 μs , Duty Cycle = 2%.

Electrical Characteristics: ($T_C = +25^\circ\text{C}$ unless otherwise specified)

Parameter	Symbol	Test Conditions	Min	Typ	Max	Unit
Maximum Instantaneous Forward Voltage	v_F	$i_F = 60\text{A}$, Note 1	-	-	0.70	V
		$i_F = 60\text{A}$, $T_C = +125^\circ\text{C}$, Note 1	-	-	0.60	V
		$i_F = 120\text{A}$, $T_C = +125^\circ\text{C}$, Note 1	-	-	0.84	V
Maximum Instantaneous Reverse Current	i_R	$V_R = 45\text{V}$, $T_C = +25^\circ\text{C}$, Note 1	-	-	50	mA
		$V_R = 45\text{V}$, $T_C = +125^\circ\text{C}$, Note 1	-	-	200	mA
DC Reverse Current	I_R	$V_R = 45\text{V}$, $T_C = +115^\circ\text{C}$	-	-	250	mA
Maximum Capacitance	C_t	$V_R = 5\text{V}$, $100\text{kHz} \leq f \leq 1\text{MHz}$	-	-	4000	pF

Note 1. Pulse Test: Pulse Width = $300\mu\text{s}$, Duty Cycle = 2%.



X-ON Electronics

Largest Supplier of Electrical and Electronic Components

Click to view similar products for [NTE manufacturer](#):

Other Similar products are found below :

[747](#) [797](#) [868](#) [1724](#) [NEH680M50FE](#) [NEHH1.0M450CB](#) [NTE526A](#) [228A](#) [231](#) [954](#) [2023](#) [510](#) [WH20-04-25](#) [04-SLPE3750A](#) [5615](#) [591](#) [69-36WW-WR-KIT](#) [7056](#) [7448](#) [NEH.10M50AA](#) [NEH2.2M63AA](#) [NEH330M35DD](#) [NEH33M10AA](#) [NEV.22M100AA](#) [NEV470M50FF](#)
[NTE133](#) [NTE542](#) [NTE74154](#) [R02-11A10-120H](#) [04-SCBW25L-BK](#) [04-SCBW6C-BK](#) [04-SCBW32L-BK](#) [04-SCW10C-BK](#) [04-SCBW19L-GR](#) [04-SCW19L-WH](#) [04-SCW19L-OR](#) [04-SCW38L-WH](#) [04-SCBW50L-OR](#) [04-SCBW50L-GR](#) [04-SCW10C-GR](#) [04-SCW10C-OR](#) [04-SCBW32L-GR](#) [04-SCBW32L-WH](#) [04-SCBW32L-OR](#) [04-SCBW6C-WH](#) [04-SCBW6C-GR](#) [04-SCBW6C-OR](#) [04-SCBW25L-GR](#) [04-SCBW25L-WH](#) [04-ESNF-500L](#)