



ELECTRONICS, INC.
 44 FARRAND STREET
 BLOOMFIELD, NJ 07003
 (973) 748-5089

NTE123A (NPN) & NTE159M (PNP) Silicon Complementary Transistors General Purpose

Description:

The NTE123A (NPN) and NTE159M (PNP) are widely used “Industry Standard” complementary transistors in a TO18 type case designed for applications such as medium–speed switching and amplifiers from audio to VHF frequencies.

Features:

- Low Collector Saturation Voltage: 1V (Max)
- High Current Gain–Bandwidth Product: $f_T = 300\text{MHz}$ (Min) @ $I_C 20\text{mA}$

Absolute Maximum Ratings:

Collector–Emitter Voltage, V_{CE0}	
NTE123A	40V
NTE159M	60V
Collector–Base Voltage, V_{CBO}	
NTE123A	75V
NTE159M	60V
Emitter–Base Voltage, V_{EBO}	
NTE123A	6V
NTE159M	5V
Continuous Collector Current, I_C	
NTE123A	800mA
NTE159M	600mA
Total Device Dissipation ($T_A = +25^\circ\text{C}$), P_D	0.4W
Derate Above $+25^\circ\text{C}$	2.28mW/ $^\circ\text{C}$
Total Device Dissipation ($T_C = +25^\circ\text{C}$), P_D	
NTE123A	1.2W
Derate Above $+25^\circ\text{C}$	6.85mW/ $^\circ\text{C}$
NTE159M	1.8W
Derate Above $+25^\circ\text{C}$	10.3mW/ $^\circ\text{C}$
Operating Temperature Range, T_J	-65° to $+200^\circ\text{C}$
Storage Temperature Range, T_{stg}	-65° to $+200^\circ\text{C}$

Electrical Characteristics: ($T_A = 25^\circ\text{C}$ unless otherwise specified)

Parameter	Symbol	Test Conditions	Min	Typ	Max	Unit		
OFF Characteristics								
Collector–Emitter Breakdown Voltage NTE123A	$V_{(BR)CEO}$	$I_C = 10\text{mA}, I_B = 0$	40	–	–	V		
NTE159M			60	–	–	V		
Collector–Base Breakdown Voltage NTE123A	$V_{(BR)CBO}$	$I_C = 10\mu\text{A}, I_E = 0$	75	–	–	V		
NTE159M			60	–	–	V		
Emitter–Base Breakdown Voltage NTE123A	$V_{(BR)EBO}$	$I_E = 10\mu\text{A}, I_C = 0$	6	–	–	V		
NTE159M			5	–	–	V		
Collector Cutoff Current NTE123A	I_{CEX}	$V_{CE} = 60\text{V}, V_{EB(off)} = 3\text{V}$	–	–	10	nA		
NTE159M		$V_{CE} = 30\text{V}, V_{BE} = 500\text{mV}$	–	–	50	nA		
Collector Cutoff Current NTE123A	I_{CBO}	$V_{CB} = 60\text{V}, I_E = 0$	–	–	0.01	μA		
NTE159M		$V_{CB} = 60\text{V}, I_E = 0, T_A = +150^\circ\text{C}$	–	–	10	μA		
		$V_{CB} = 50\text{V}, I_E = 0$	–	–	0.01	μA		
		$V_{CB} = 50\text{V}, I_E = 0, T_A = +150^\circ\text{C}$	–	–	10	μA		
Emitter Cutoff Current (NTE123A Only)	I_{EBO}	$V_{EB} = 3\text{V}, I_C = 0$	–	–	10	nA		
Base Cutoff Current NTE123A	I_{BL}	$V_{CE} = 60\text{V}, V_{EB(off)} = 3\text{V}$	–	–	20	nA		
NTE159M		$V_{CE} = 30\text{V}, V_{EB(off)} = 500\text{mV}$	–	–	50	nA		
ON Characteristics								
DC Current Gain NTE123A	h_{FE}	$V_{CE} = 10\text{V}$	$I_C = 0.1\text{mA}, \text{Note 1}$	35	–	–		
			$I_C = 1\text{mA}$	50	–	–		
			$I_C = 10\text{mA}, \text{Note 1}$	75	–	–		
			$I_C = 10\text{mA}, T_A = -55^\circ\text{C}$	35	–	–		
			$I_C = 150\text{mA}, \text{Note 1}$	100	–	300		
		NTE159M	$V_{CE} = 10\text{V}$	$I_C = 150\text{mA}, \text{Note 1}$	50	–	–	
				$I_C = 500\text{mA}, \text{Note 1}$	40	–	–	
				$I_C = 0.1\text{mA}$	75	–	–	
				$I_C = 1\text{mA}$	100	–	–	
				$I_C = 10\text{mA}$	100	–	–	
				$I_C = 150\text{mA}, \text{Note 1}$	100	–	300	
				$I_C = 500\text{mA}, \text{Note 1}$	50	–	–	
Collector–Emitter Saturation Voltage NTE123A	$V_{CE(sat)}$	$I_C = 150\text{mA}, I_B = 15\text{mA}, \text{Note 1}$	–	–	0.3	V		
NTE159M		$I_C = 500\text{mA}, I_B = 50\text{mA}, \text{Note 1}$	–	–	1.0	V		
		$I_C = 150\text{mA}, I_B = 15\text{mA}, \text{Note 1}$	–	–	0.4	V		
		$I_C = 500\text{mA}, I_B = 50\text{mA}, \text{Note 1}$	–	–	1.6	V		

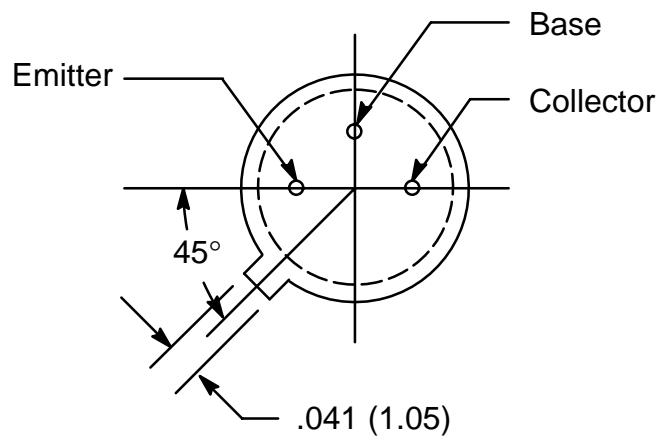
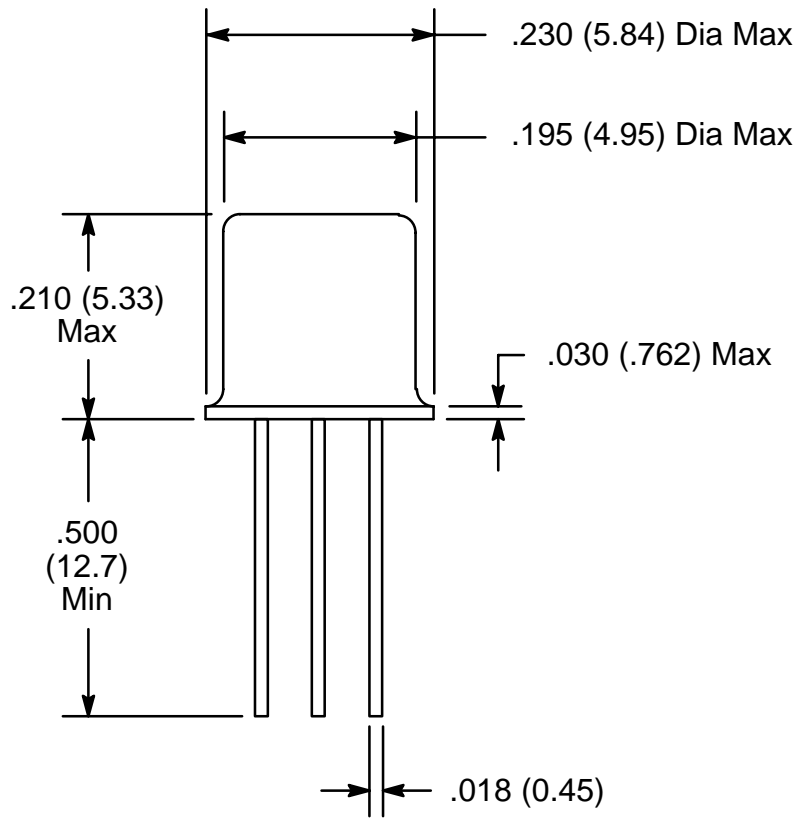
 Note 1. Pulse Test: Pulse Width $\leq 300\mu\text{s}$, Duty Cycle $\leq 2\%$.

Electrical Characteristics (Cont'd): ($T_A = 25^\circ\text{C}$ unless otherwise specified)

Parameter	Symbol	Test Conditions	Min	Typ	Max	Unit	
ON Characteristics (Cont'd)							
Base–Emitter Saturation Voltage NTE123A	$V_{BE(sat)}$	$I_C = 150\text{mA}, I_B = 15\text{mA}, \text{Note 1}$	0.6	–	1.2	V	
		$I_C = 500\text{mA}, I_B = 50\text{mA}, \text{Note 1}$	–	–	2.0	V	
NTE159M		$I_C = 150\text{mA}, I_B = 15\text{mA}, \text{Note 1}$	–	–	1.3	V	
		$I_C = 500\text{mA}, I_B = 50\text{mA}$	–	–	2.6	V	
Small–Signal Characteristics							
Current Gain–Bandwidth Product NTE123A	f_T	$I_C = 20\text{mA}$	$V_{CE} = 20\text{V}, f = 100\text{MHz}, \text{Note 2}$	300	–	–	MHz
		NTE159M		$I_C = 50\text{mA}$	200	–	–
Output Capacitance	C_{obo}	$V_{CB} = 10\text{V}, I_E = 0, f = 100\text{kHz}$	–	–	8	pF	
Input Capacitance NTE123A	C_{ibo}	$V_{BE} = 0.5\text{V}$	$I_C = 0, f = 100\text{kHz}$	–	–	25	pF
		NTE159M		$V_{BE} = 2\text{V}$	–	–	30
Input Impedance (NTE123A Only)	h_{ie}	$I_C = 1\text{mA}$	$V_{CE} = 10\text{V}, f = 1\text{kHz}$	2.0	–	8.0	$\text{k}\Omega$
		$I_C = 10\text{mA}$		0.25	–	1.25	$\text{k}\Omega$
Voltage Feedback Ratio (NTE123A Only)	h_{re}	$I_C = 1\text{mA}$	$V_{CE} = 10\text{V}, f = 1\text{kHz}$	–	–	8	$\times 10^{-4}$
		$I_C = 10\text{mA}$		–	–	4	$\times 10^{-4}$
Small–Signal Current Gain (NTE123A Only)	h_{fe}	$I_C = 1\text{mA}$	$V_{CE} = 10\text{V}, f = 1\text{kHz}$	50	–	300	
		$I_C = 10\text{mA}$		75	–	375	
Output Admittance (NTE123A Only)	h_{oe}	$I_C = 1\text{mA}$	$V_{CE} = 10\text{V}, f = 1\text{kHz}$	5	–	35	μmhos
		$I_C = 10\text{mA}$		25	–	200	μmhos
Collector–Base Time Constant (NTE123A Only)	$r_b' C_c$	$I_E = 20\text{mA}, V_{CB} = 20\text{V}, f = 31.8\text{MHz}$	–	–	150	ps	
Noise Figure (NTE123A Only)	NF	$I_C = 100\mu\text{A}, V_{CE} = 10\text{V}, R_S = 1\text{k}\Omega, f = 1\text{kHz}$	–	–	4	dB	
Real Part of Common–Emitter High Frequency Input Impedance (NTE123A Only)	$\text{Re}(h_{ie})$	$I_C = 20\text{mA}, V_{CE} = 20\text{V}, f = 300\text{MHz}$	–	–	60	Ω	
Switching Characteristics							
NTE123A	Delay Time	$V_{CC} = 30\text{V}, V_{BE(off)} = 500\text{mV}, I_C = 150\text{mA}, I_{B1} = -15\text{mA}$	–	–	10	ns	
	Rise Time		–	–	25	ns	
	Storage Time		$V_{CC} = 30\text{V}, I_C = 150\text{mA}, I_{B1} = I_{B2} = 15\text{mA}$	–	–	225	ns
	Fall Time			–	–	60	ns
NTE159M	Turn–On Time	$V_{CC} = 30\text{V}, I_C = 150\text{mA}, I_{B1} = 15\text{mA}$	–	26	45	ns	
	Delay Time		–	6	10	ns	
	Rise Time		–	20	40	ns	
	Turn–Off Time	$V_{CC} = 6\text{V}, I_C = 150\text{mA}, I_{B1} = I_{B2} = 15\text{mA}$	–	70	100	ns	
	Storage Time		–	50	80	ns	
	Fall Time		–	20	30	ns	

Note 1. Pulse Test: Pulse Width $\leq 300\mu\text{s}$, Duty Cycle $\leq 2\%$.

Note 2. f_T is defined as the frequency at which $|h_{fe}|$ extrapolates to unity.



X-ON Electronics

Largest Supplier of Electrical and Electronic Components

Click to view similar products for [NTE manufacturer:](#)

Other Similar products are found below :

[747](#) [797](#) [868](#) [1724](#) [NEH680M50FE](#) [NEHH1.0M450CB](#) [NTE526A](#) [228A](#) [231](#) [954](#) [2023](#) [510](#) [WH20-04-25](#) [04-SLPE3750A](#) [5615](#) [591](#) [69-36WW-WR-KIT](#) [7056](#) [7448](#) [NEH.10M50AA](#) [NEH2.2M63AA](#) [NEH330M35DD](#) [NEH33M10AA](#) [NEV.22M100AA](#) [NEV470M50FF](#) [NTE133](#) [NTE542](#) [NTE74154](#) [R02-11A10-120H](#) [04-SCBW25L-BK](#) [04-SCBW6C-BK](#) [04-SCBW32L-BK](#) [04-SCW10C-BK](#) [04-SCBW19L-GR](#) [04-SCW19L-WH](#) [04-SCW19L-OR](#) [04-SCW38L-WH](#) [04-SCBW50L-OR](#) [04-SCBW50L-GR](#) [04-SCW10C-GR](#) [04-SCW10C-OR](#) [04-SCBW32L-GR](#) [04-SCBW32L-WH](#) [04-SCBW32L-OR](#) [04-SCBW6C-WH](#) [04-SCBW6C-GR](#) [04-SCBW6C-OR](#) [04-SCBW25L-GR](#) [04-SCBW25L-WH](#) [04-ESNF-500L](#)