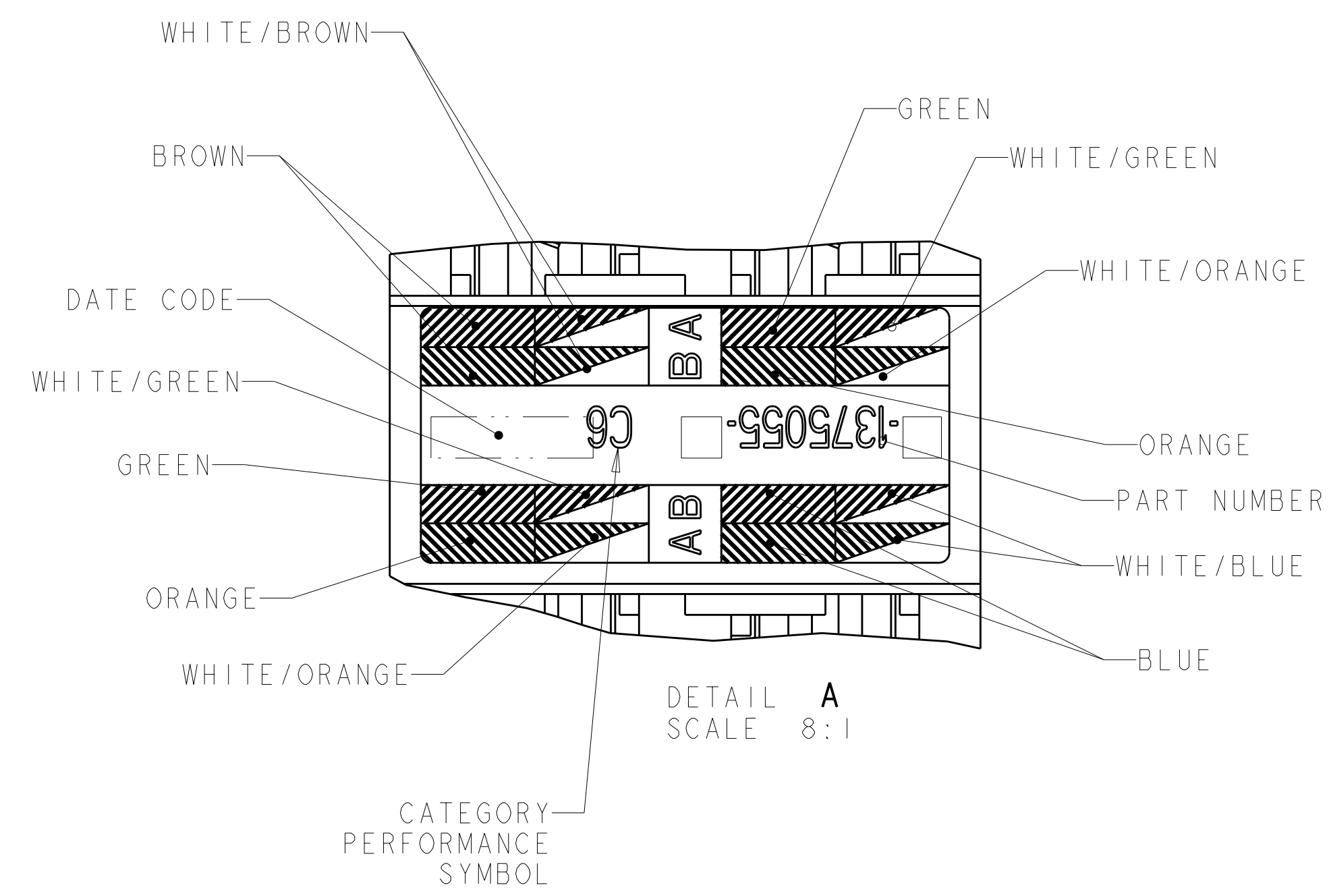
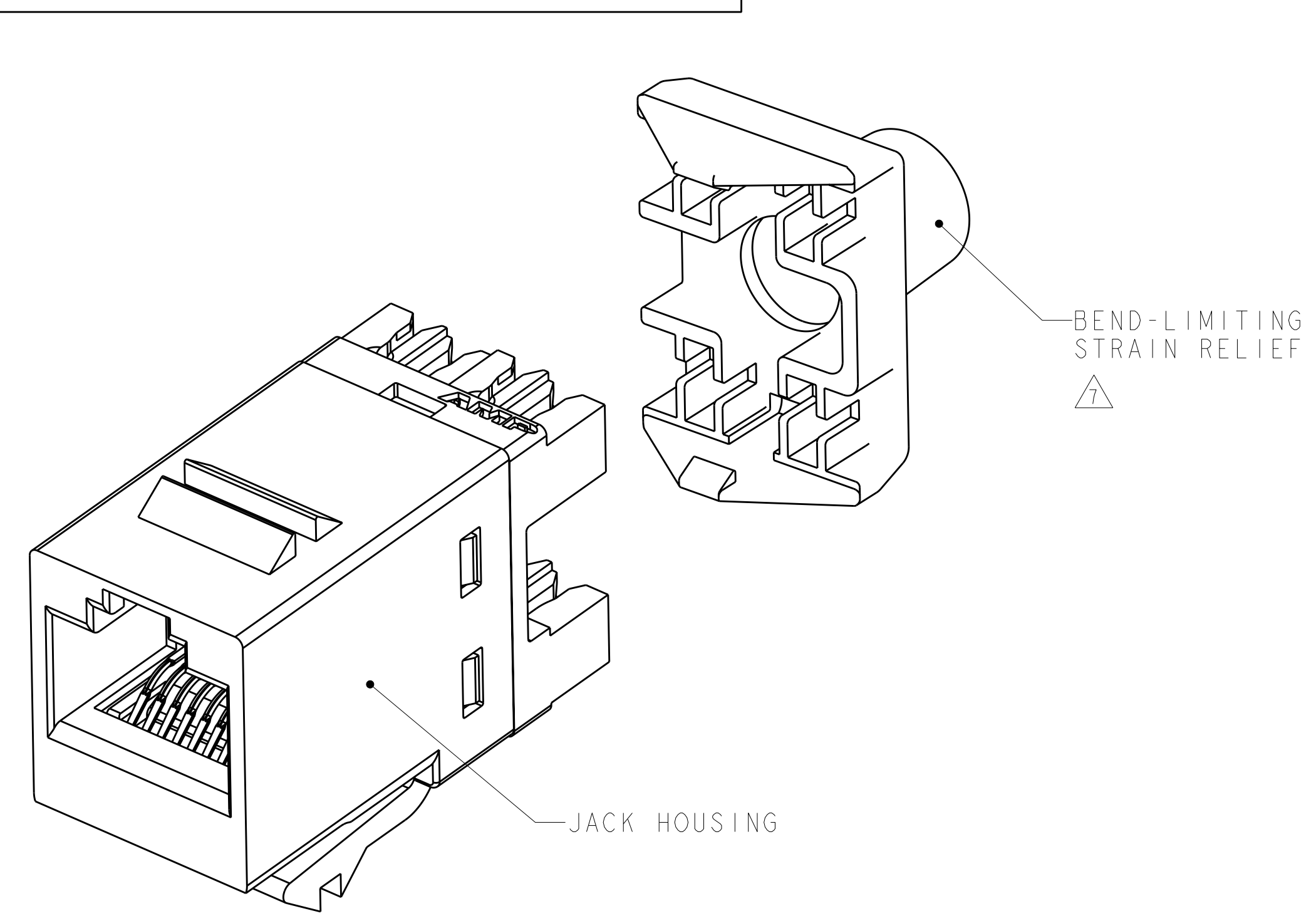
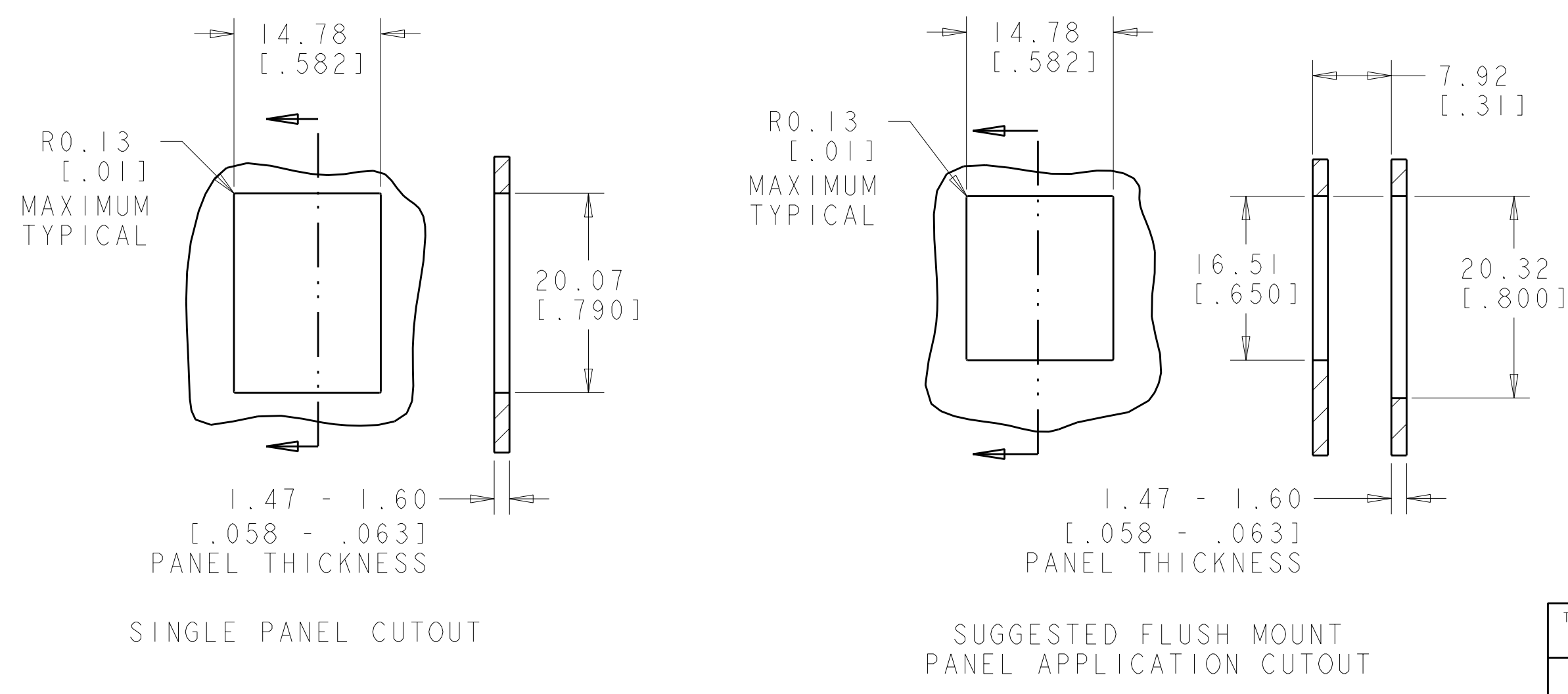
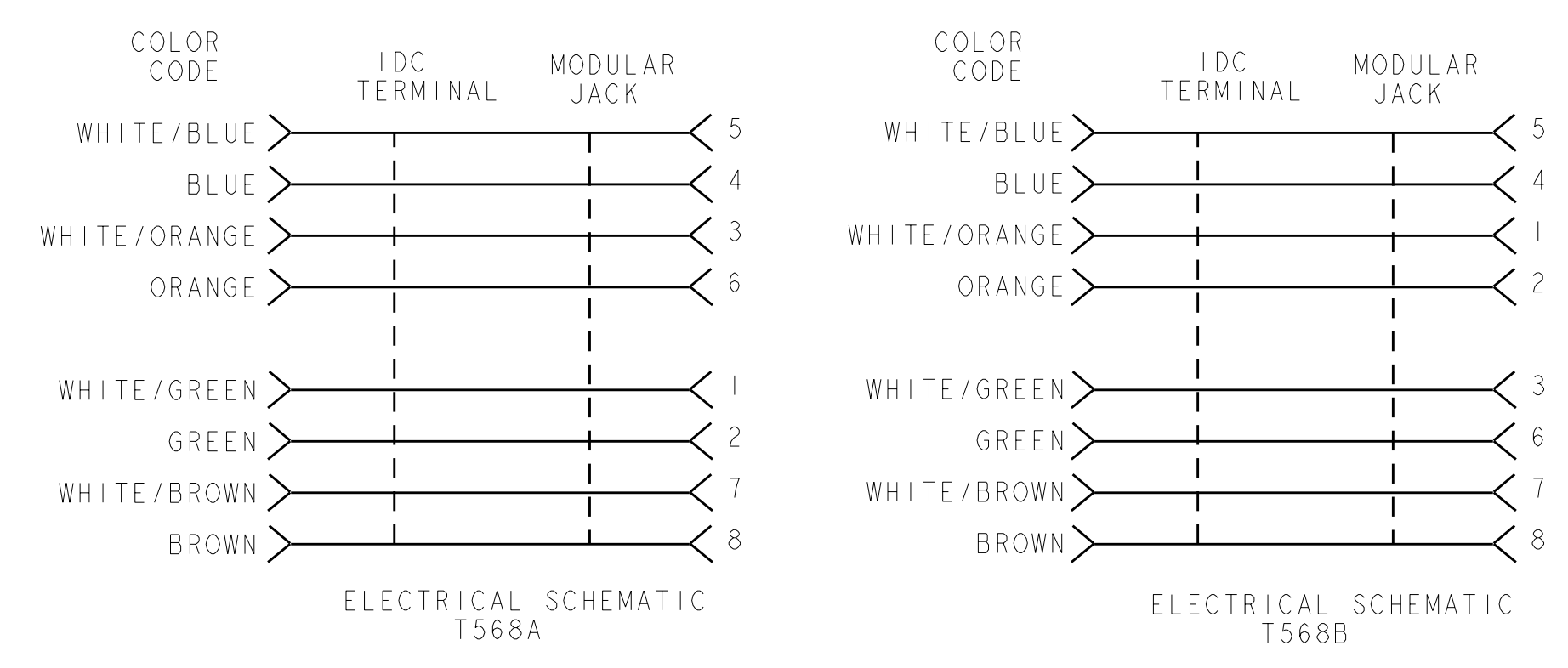
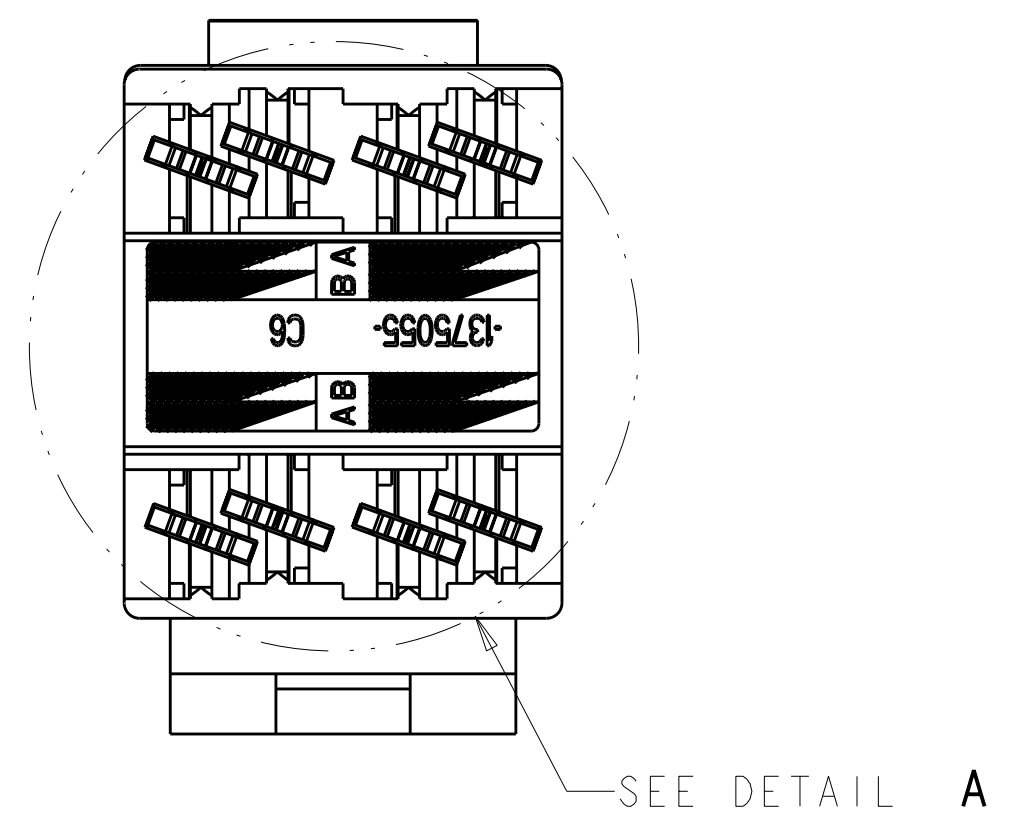
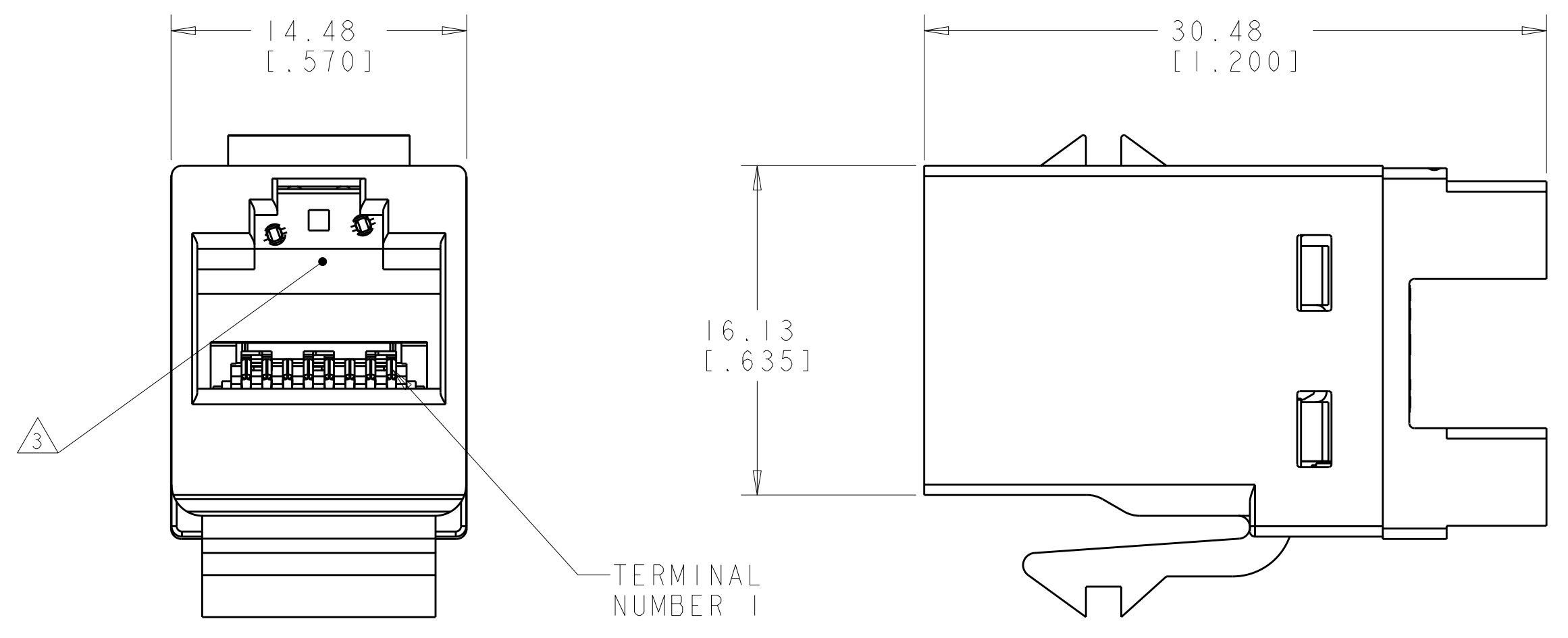


LOC	DIST	REV	DATE	BY	CHK	APPD
HM	00	M1	09MAY2011	RK	HMR	
		N	27OCT2011	GG	SA	



- 1. MATERIAL: JACK HOUSING - POLYCARBONATE, 94V-0 RATED. 110 BLOCK AND BEND LIMITING STRAIN RELIEF - POLYCARBONATE. ARRAY TRAY - PBT POLYESTER. JACK CONTACTS ARRAY - BERYLLIUM COPPER, PLATED WITH 1.27µm [0.000050] MINIMUM THICK GOLD IN LOCALIZED AREA AND 3.81µm [0.000150] MINIMUM THICK MATTE TIN IN BOARD INTERFACE AREA OVER 1.27µm [0.000050] MINIMUM THICK NICKEL UNDERPLATE. IDC TERMINALS - PHOSPHOROUS BRONZE, PLATED WITH 3.81µm [0.00015] MINIMUM THICK MATTE TIN OVER 1.27µm [0.00005] MINIMUM THICK NICKEL UNDERPLATE.
- 2. SL 110 JACK WILL TERMINATE 22-24 AWG SOLID AND 24-26 AWG STRANDED CONDUCTORS, 1.27[.050] MAXIMUM INSULATION DIAMETER. JACK WILL ACCEPT CONDUCTORS UP TO 1.45 [.057] BUT REQUIRE THE USE OF A STRAIN RELIEF.
- 3. CAVITY CONFORMS TO FCC RULES AND REGULATIONS) PART 68 SUBPART F REQUIREMENTS.
- 4. MOUNTING PANEL THICKNESS 1.47 - 1.60 [.058 - .063].
- 5. THESE TWO SUGGESTED CUTOUT OPENINGS ARE USED IN TANDEM WITH DUAL FRONT AND BACK CUTOUTS.
- 6. ONE MODULAR JACK ASSEMBLY PER POLYBAG.
- 7. USE IS OPTIONAL.
- 8. TWENTY FIVE MODULAR JACKS PER POLYBAG.
- 9. REFER TO 408-8858 FOR TERMINATION INSTRUCTIONS USING SL SERIES TOOL TERMINATION. REFER TO 408-8417 FOR TERMINATION INSTRUCTIONS USING 110 PUNCH DOWN TOOL.



ALPINE WHITE	3-1375055-3
ELECTRIC IVORY	3-1375055-1
VIOLET	3-1375055-0
GREEN	2-1375055-9
YELLOW	2-1375055-8
RED	2-1375055-7
BLUE	2-1375055-6
ORANGE	2-1375055-5
NEMA GRAY	2-1375055-4
WHITE	2-1375055-3
BLACK	2-1375055-2
LIGHT ALMOND	2-1375055-1
ALPINE WHITE	1-1375055-3
ELECTRIC IVORY	1-1375055-1
VIOLET	1-1375055-0
GREEN	1375055-9
YELLOW	1375055-8
RED	1375055-7
BLUE	1375055-6
ORANGE	1375055-5
NEMA GRAY	1375055-4
WHITE	1375055-3
BLACK	1375055-2
LIGHT ALMOND	1375055-1
PACKAGE	HOUSING COLOR PART NUMBER

THIS DRAWING IS A CONTROLLED DOCUMENT.

OWN: T. PITTS 18OCT2001  
 CHK: L. SMITH 13MAR2001  
 APPD: B. TRIPPE 13MAR2001

DIMENSIONS: MM [inches]  
 TOLERANCES UNLESS OTHERWISE SPECIFIED:  
 9 PLC ±  
 3 PLC ±  
 5 PLC ±  
 4 PLC ±  
 ANGLES ±

MATERIAL: - FINISH: -

PRODUCT SPEC: 108-1990-108-1990-3  
 APPLICATION SPEC: 9

WEIGHT: -

CUSTOMER DRAWING

NAME: ASSEMBLY, SL 110 JACK, CAT 6

SIZE: A1  
 CAGE CODE: 100779  
 DRAWING NO: C=1375055

RESTRICTED TO: -

SCALE: 6:1 SHEET: 1 OF 1 REV: N

# X-ON Electronics

Largest Supplier of Electrical and Electronic Components

*Click to view similar products for [Commscope manufacturer:](#)*

Other Similar products are found below :

[619916-000](#) [1059313](#) [1147587](#) [1155379](#) [1193746-ZZ](#) [1228435](#) [1235477](#) [1237845](#) [1238918](#) [1242458-ZZ](#) [1250727](#) [6050315011](#) [804370-000](#)  
[CS2130-000](#) [CU5583-000](#) [165592-000](#) [190356-000](#) [1918810-1](#) [232268-000](#) [5267358502](#) [CK0475-000](#) [CK4385-000](#) [CK9479-000](#) [552769-2](#)  
[CW7879-001](#) [1342754](#) [1-1116734-0](#) [1-1499520-5](#) [1-1657014-7](#) [1-1671215-1](#) [1-1933285-0](#) [1-1933400-0](#) [1-1933582-3](#) [1-1933686-1](#) [1-553292-1](#) [1-556127-5](#) [1-556148-0](#) [1-6278897-0](#) [1-6278897-5](#) [1-6374658-1](#) [1-6693951-0](#) [1278118-5](#) [1278323-2](#) [1278346-2](#) [1278755-4](#) [1375014-2](#) [1375158-1](#)  
[1375161-1](#) [1375257-1](#) [1435808-1](#)