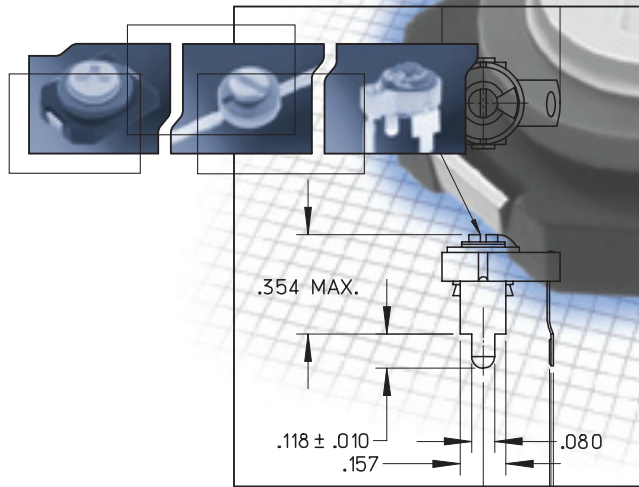


VALUE PRICED

# CERAMIC TRIMMERS

In addition to Johanson's high performance line of low profile trimmers, Johanson Manufacturing offers a full range of surface mount capacitors that are designed and priced for high volume commercial applications.

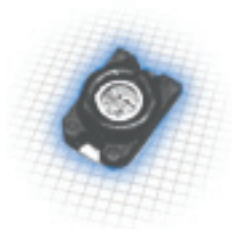


## 9350 SERIES

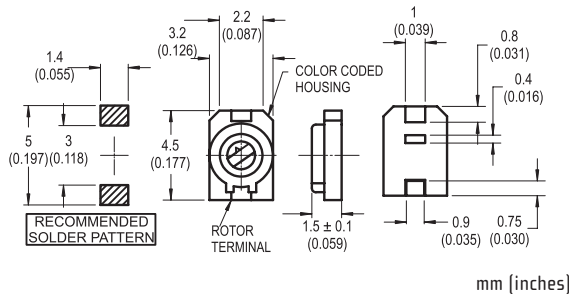
The 9350 Series trimmers are single turn, ceramic dielectric capacitors designed for high volume commercial applications.

## CHARACTERISTICS

- Working Voltage: See Table
- Insulation Resistance: > 10<sup>4</sup> MΩ
- Temperature Range: -25°C to +85°C
- Tuning Tool: 2194
- Packaging: 1000 Pieces in a 7" Reel
- RoHS Compliant



JMC P/N	RANGE PF	MIN Q @ 1 MHz	WORKING VOLTAGE	COLOR CODE
9350-1R1	1.5 to 3.0	>500	100 VDC	BLACK
9350-2R1	2.0 to 6.0	>500	100 VDC	BLUE
9350-3R1	3.0 to 10.0	>500	50 VDC	IVORY
9350-4R1	5.0 to 20.0	>500	50 VDC	PINK
9350-5R1	8.0 to 30.0	>500	50 VDC	GREEN



## 9344 SERIES

The 9344 Series trimmers are single turn, ceramic dielectric capacitors designed for high volume commercial applications.

### CHARACTERISTICS

- Working Voltage: 100 VDC (220 VDC Test)
- Insulation Resistance:  $> 10^4 M\Omega$
- Temperature Range:  $-25^{\circ}C$  to  $+85^{\circ}C$
- Tuning Tool: 8764
- Packaging: 1000 Pieces in a 7" Reel
- RoHS Compliant



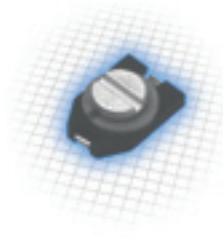
JMC P/N	RANGE PF	MIN Q @1 MHz	COLOR CODE
9344-1R1	1.4 TO 3.0	>500	BLACK
9344-2R1	2.0 TO 6.0	>500	BLUE
9344-3R1	3.0 TO 10.0	>500	NONE
9344-4R1	4.5 TO 20.0	>300	RED
9344-5R1	6.0 TO 30.0	>300	GREEN

## 9343 SERIES

These trimmer capacitors are single turn, ceramic dielectric and ideal for high volume commercial applications. These capacitors are sealed and suitable for reflow soldering.

### CHARACTERISTICS

- Working Voltage: 50 VDC (110 VDC Test)
- Insulation Resistance:  $> 10^4 M\Omega$
- Temperature Range:  $-25^{\circ}C$  to  $+85^{\circ}C$
- Tuning Tool: 2191
- Packaging: 1000 Pieces in a 7" Reel
- RoHS Compliant



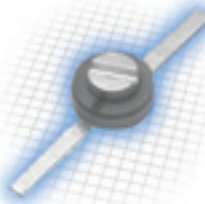
JMC P/N	RANGE PF	MIN Q @1 MHz
9343-11R1	1.0 TO 3.0	>300
9343-12R1	1.5 TO 5.0	>300
9343-13R1	2.0 TO 5.0	>300
9343-14R1	1.5 TO 10.0	>300
9343-15R1	2.5 TO 10.0	>300
9343-16R1	3.0 TO 10.0	>300
9343-17R1	5.0 TO 20.0	>300
9343-18R1	5.0 TO 30.0	>300
9343-19R1	5.0 TO 40.0	>300

## 9341 SERIES

The 9341 Series offers a wide range of capacitance, ideal for applications where small size is a design criterion.

### CHARACTERISTICS

- Working Voltage: 50 VDC (110 VDC Test)
- Insulation Resistance:  $> 10^4 M\Omega$
- Temperature Range:  $-25^{\circ}C$  to  $+85^{\circ}C$
- Tuning Tool: 8766
- RoHS Compliant



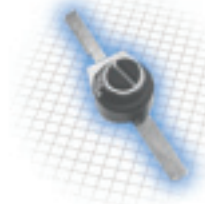
JMC P/N	RANGE PF	MIN Q @1 MHz
9341-15L	1.0 to 3.0	>200
9341-25L	1.5 to 5.0	>200
9341-35L	1.5 to 10.0	>200
9341-45L	2.5 to 10.0	>200
9341-55L	5.0 to 20.0	>200
9341-65L	5.0 to 25.0	>200
9341-75L	5.0 to 30.0	>200
9341-85L	5.0 to 35.0	>200
9341-95L	6.0 to 40.0	>200

## 9385 SERIES

The 9385 ceramic trimmer capacitor offers the advantages of high frequency operation, miniature size, and remarkable cost effectiveness.

### CHARACTERISTICS

- Working Voltage: 50 VDC (110 VDC Test)
- Insulation Resistance:  $> 10^4 M\Omega$
- Temperature Range:  $-30^{\circ}C$  to  $+85^{\circ}C$
- Tuning Tool: 8777
- RoHS Compliant



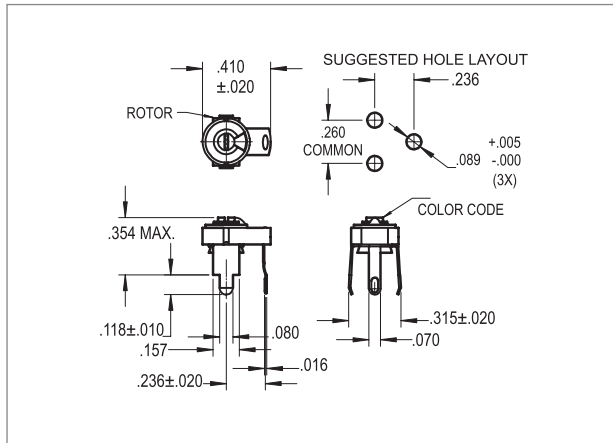
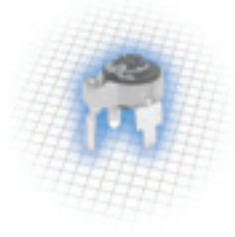
JMC P/N	RANGE PF	MIN Q @10 MHz	COLOR CODE	JMC P/N	RANGE PF	MIN Q @10 MHz	COLOR CODE
9385-15L	1.2 to 3.0	>500	BLACK	9385-1PC	1.2 to 3.0	>500	BLACK
9385-25L	1.4 to 5.0	>500	RED	9385-2PC	1.4 to 5.0	>500	RED
9385-35L	1.8 to 9.0	>300	NONE	9385-3PC	1.8 to 9.0	>300	NONE
9385-45L	2.8 to 18.0	>300	BLUE	9385-4PC	2.8 to 18.0	>300	BLUE
9385-55L	4.0 to 28.0	>200	YELLOW	9385-5PC	4.0 to 28.0	>200	YELLOW

# 9300 SERIES

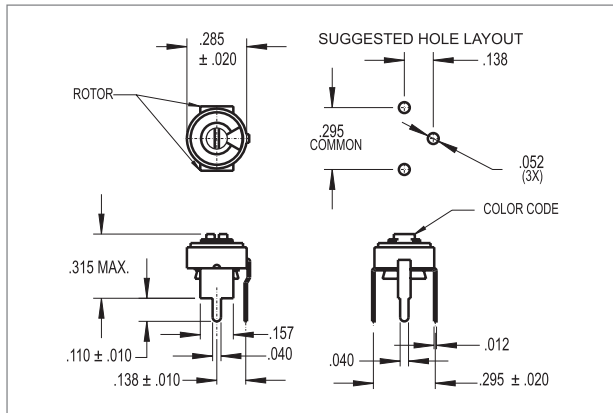
These ceramic trimmer capacitors are designed for broadband applications, from audio 500 MHz, and afford an ideal low cost means of trimming circuitry.

## CHARACTERISTICS

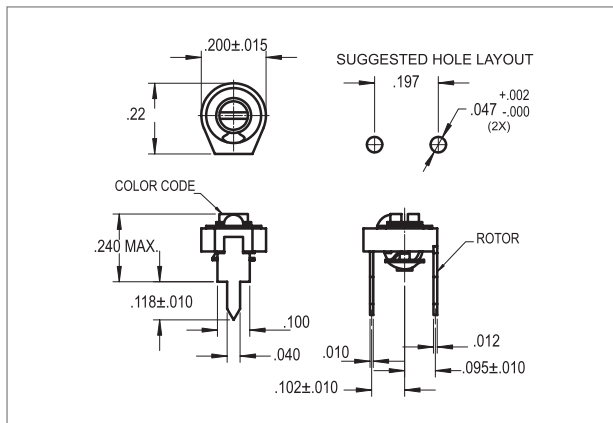
- Working Voltage: 250 VDC (500 VDC Test)
- Insulation Resistance: > 10<sup>4</sup> MΩ
- Temperature Range: -55°C to +85°C
- Tuning Tool: 8764
- Packaging: Bulk
- RoHS Compliant



JMC P/N	RANGE PF	MIN Q @10 MHz	COLOR CODE
9300	2.8 TO 8.0	>300	RED
9301	2.0 TO 12.0	>300	NONE
9302	2.5 TO 23.0	>300	BLUE
9303	4.0 TO 34.0	>300	ORANGE
9304	5.5 TO 45.0	>200	BROWN
9305	6.0 TO 55.0	>200	GREEN
9314	6.0 TO 60.0	>200	PINK
9315	6.0 TO 70.0	>200	GRAY
9328	12.0 TO 100.0	>200 @ 1 MHz	WHITE



JMC P/N	RANGE PF	MIN Q @10 MHz	COLOR CODE
9306	2.0 TO 8.0	>300	RED
9307	2.0 TO 12.0	>300	NONE
9308	2.5 TO 23.0	>300	BLUE
9309	4.0 TO 34.0	>300	ORANGE
9310	5.5 TO 45.0	>200	BROWN
9311	6.0 TO 55.0	>200	GREEN



JMC P/N	RANGE PF	MIN Q @10 MHz	COLOR CODE
9371	1.8 TO 5.0	>300	BLACK
9372	3.0 TO 10.0	>300	NONE
9373	3.5 TO 18.0	>300	BLUE
9374	5.0 TO 25.0	>300	PURPLE
9376	9.0 TO 50.0	>200 @ 1 MHz	GREEN



## X-ON Electronics

Largest Supplier of Electrical and Electronic Components

*Click to view similar products for Johanson manufacturer:*

Other Similar products are found below :

[L-07C4N7SV6T](#) [502R29W331KF3E--SC](#) [2450L/C402D](#) [250S41X475KV4E](#) [S-X14-PBP](#) [502R30W681KF3E--SC](#) [502R29W331KF3E-\\*\\*\\*\\*-](#)  
[SC](#) [502S47W472KV3E-SC](#) [IOT-L/C402D-1](#) [2450L/C603D](#) [5500L/C402D](#) [6R3S43X107MV4E](#) [L603DC](#) [L/C-201DL](#) [S-SY2](#) [S-2KV](#) [L-](#)  
[07W10NJV4T](#) [S-X2Y-MTR](#) [6R3R14X475MV4T](#) [S-500](#) [S201TL](#) [S201DL](#) [S111TUE](#) [S-X14CBK](#) [9702-2](#) [S603TS](#) [S-1KV](#) [S-0805](#)  
[102R18N471JV4E](#) [RWCSG4Q002R0FS](#) [0868AT43A0020-EB1SMA](#) [S-X15-EMI](#) [S-SY3](#) [S111DVE](#) [L/C-603DS](#) [L/C-805DS](#) [S805DS](#)  
[87043-27](#) [2450FB15L0001E](#) [S-X07CBK](#) [L805W](#) [S-PLY-2](#) [RWCSG1U020K0FS](#) [RM CJ3U0R005FS](#) [RHXH1N001R0F4](#) [L201DC](#) [L603W](#)  
[L402DC](#) [S805TS](#) [S111TVE](#)