

Product Data Sheet

4XX Series Std

Replace "XX" with 01 through 12 for number of poles

Terminal Block – Closed Back

30 Amps, 600 Volts (AC/DC) with
unprepared wire

or

65 Amps, 600 Volts AC/DC when wired
with Listed crimp type ring, spade or
fork terminal



Copper Wire Only

Wire Range with Wire Binding Screw: #10 - #12 AWG (unprepared wire)

Application torque: 20 in. lbs

11/16" Centers

Electrical Ratings:

- 30A with unprepared wire, (Based on NEC Table 310-16, 75°C columns)
- 65A with listed lug
- 600 Volts AC/DC (UL 1059 Class C, User Group - General Industrial)
- Short Circuit Current Rating: 10,000A (Default)
- Approved for Factory and Field Wiring.

NOTE: Use outside these ratings must be judged in end-use application

Mechanical Ratings:

- Insulator base temperature rating: -40°C/F to 150°C (302°F) UL RTI
- Flammability rating of insulator base: UL 94V-0

Materials:

- Connector (Contact): Brass, tin plated.
- Insulator base: Phenolic
- Drive screw (Rivet): Stainless steel
- Screw, #10-32 Binder head, Phil-Slot: Steel, nickel plated

Agency Approvals:

- UL Recognized, UL 1059 Terminal Block Standard, File No. XCFR2.E62806
- CSA Certified, CSA C22.2 No. 158, File No. LR19766
- CE compliant, IEC 60947-7-1
- RoHS Compliant

Wire Range:

Wire Size	Torque	Copper Wire Stranding Classes - Number of Conductors		
		Solid	Class B	Class C
10	20 in. lbs	1	1	1
12	20 in. lbs	1	1	1
14	20 in. lbs	1	1	1
16	20 in. lbs	1	1	1
18	20 in. lbs	1	1	1
20	20 in. lbs	1	1	1
22	20 in. lbs	1	1	1

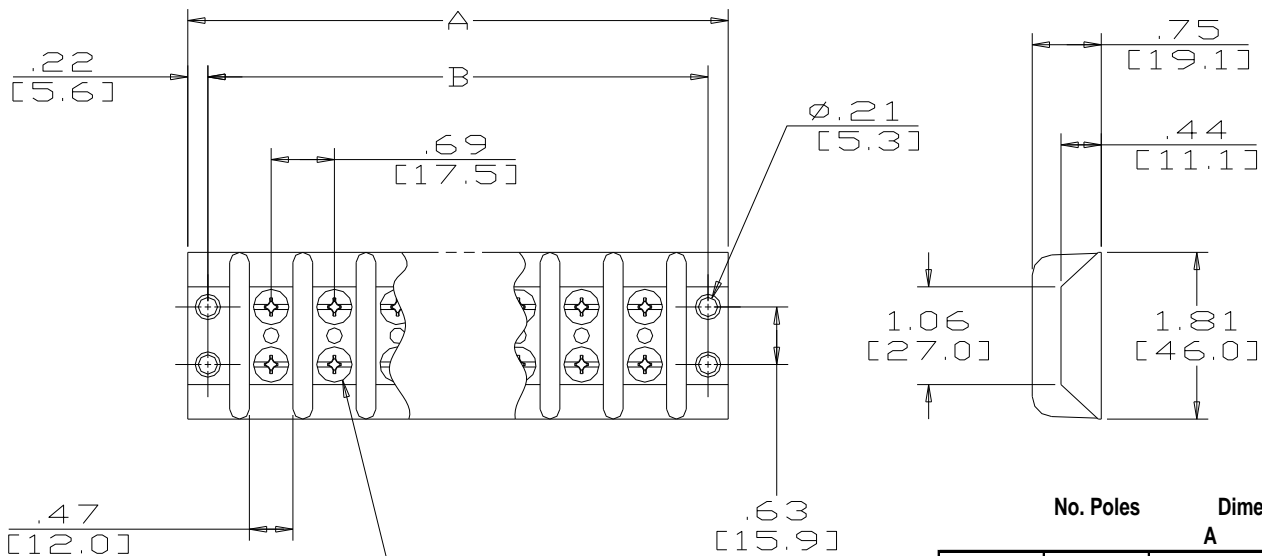
Mounting:

Suggested product mounting hardware: #8 fastener, torque to 15-20 in. lbs.

Accessories:

• Printing: for printing options, see Terminal Block Printing
<http://marathonsp.com/CatalogPDFs/TBPrinting.pdf>

- Phil-Slot Brass Screw (PSB)
- Line to Line Jumper (LL400) or (J603)
- Phil-Slot Brass Screw (PSB)



#10-32 X .38 [9.5]
 BD HD SCREW

No. Poles		Dimensions	
		A	B
401	1	1.81	1.38
402	2	2.50	2.06
403	3	3.19	2.75
404	4	3.88	3.44
405	5	4.56	4.13
406	6	5.25	4.81
407	7	5.94	5.50
408	8	6.62	6.19
409	9	7.31	6.87
410	10	8.00	7.56
411	11	8.68	8.25
412	12	9.37	8.94

WWW.MARATHONSP.COM
 (419) 352-8441

X-ON Electronics

Largest Supplier of Electrical and Electronic Components

Click to view similar products for [Marathon manufacturer](#):

Other Similar products are found below :

[104](#) [600AGP04PSB](#) [599GP200402PSB](#) [670A GP 03](#) [601RJ 06](#) [985GP02](#) [599-GP-2004-10](#) [600-2004-3-SP](#) [600-GP-20](#) [600TS-10](#) [601-GP-2102-02](#) [601-GP-3/4ST-12](#) [601-GPYSY-03](#) [602-GPYSY-22](#) [603-2302-04](#) [603-JJ-04](#) [603-JJ-07](#) [604-JJ-06](#) [605-GP-03SLB](#) [605-JJ-02](#) [651-XPR-13](#) [670-3/4ST-9](#) [670A-GP-3000-18](#) [670A-GP-3000-25](#) [670A-GP-3000-27](#) [670A-GP-3/4ST-10](#) [CW205-01C](#) [671-RZ-25](#) [672-GPY-05](#) [699-GP-2102-08](#) [6F30A3S](#) [6H38-TSKK-C](#) [6R30A3SP](#) [F600A1B](#) [F600A3B](#) [F60A1B](#) [799-6-KT28](#) [799-7-KT28](#) [FPB33588](#) [R30A1B](#) [RF400A3B](#) [1321970](#) [1322970CH](#) [1320972](#) [1331955](#) [1332270](#) [1332360](#) [1332554CH](#) [1333280CH](#) [1333575CH](#)