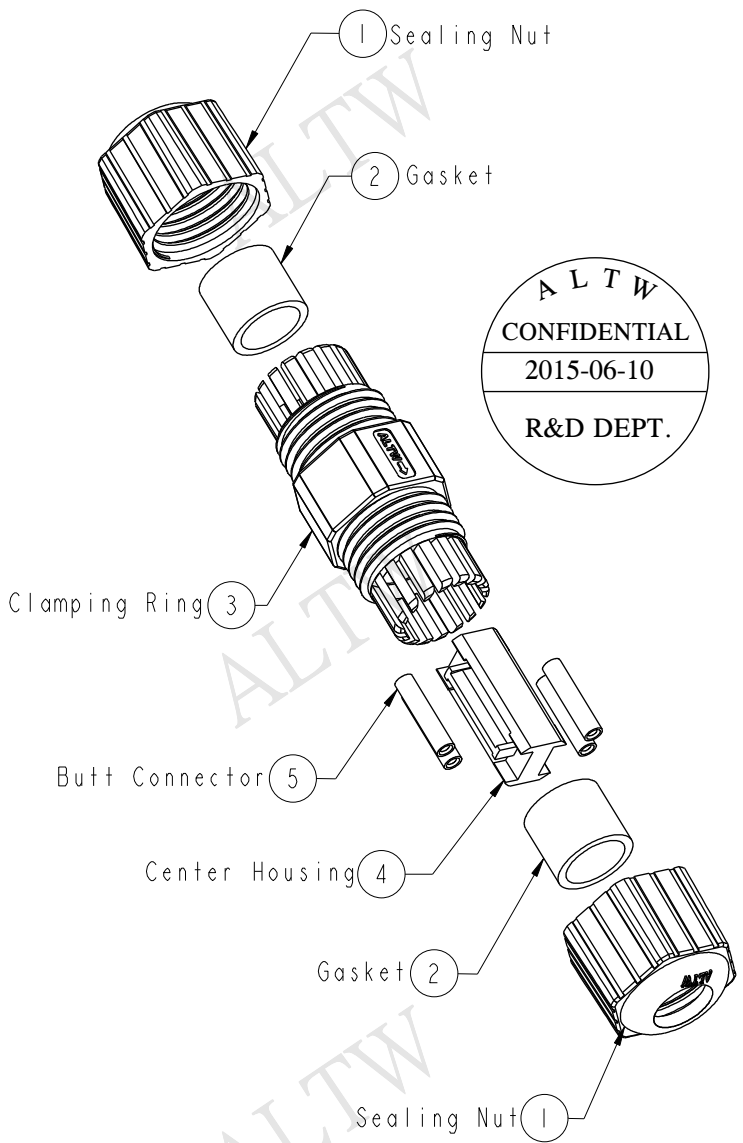
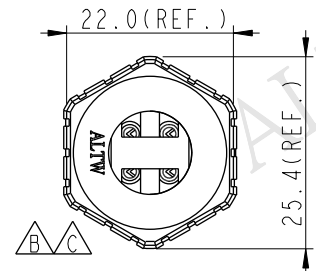
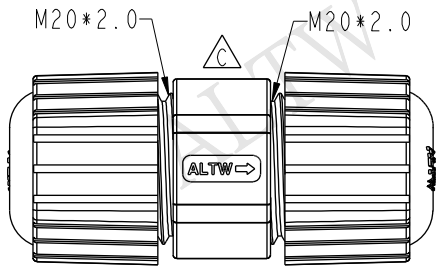
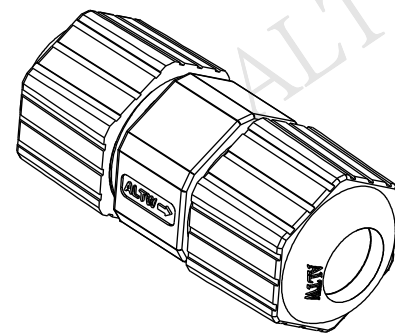
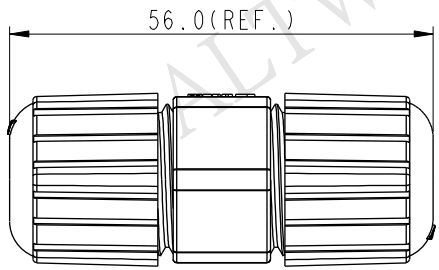


REV.	ECN NO.	DATE	SIGN	DESCRIPTION
B	LEN12B0112	2012/11/28	Sam	Add LTW Logo
C	LEN1560368	2015/06/10	Vicky	Update Logo



ALTW
 CONFIDENTIAL
 2015-06-10
 R&D DEPT.



- Note:
- * Waterproof Rate: IP67
 - * Sealing Nut: Nylon, Black
 - * Gasket: EPDM, Black
 - * Center Housing: Nylon, Black
 - * Clamping Ring: Nylon, Black
 - * Butt Connector: 16~22 AWG
 - * Cable Range: $\varnothing 6 \sim \varnothing 10$ mm
 - * One Set non-Assembly in One PE Bag

UNIT: mm			TITLE Cable Joiner For 16~22 AWG (4 Conductor)	
TOLERANCE	.X ±0.25	.XX ±0.1	SCALE 1:1	SIZE A4
	.XXX ±0.05	ANGLES ±1°	REV. C	WC-REV. A.1
			SHEET 1 OF 1	
			QC: Inspection item	

Amphenol LTW
 安費諾亮泰企業股份有限公司

ITEM NO. CX-04BAM20-7001	DRAWN BY Vicky	DATE 2015-06-10
DWG NO. CX-04BAM20-7001	CHECKED BY Rita	DATE 2015-06-10
CUSTOMER ALTW	APPROVED BY Lion	DATE 2015-06-10

THIS DOCUMENT IS SUBJECT TO CHANGE WITHOUT NOTICE. IT IS CONFIDENTIAL AND A PROPERTY OF Amphenol LTW. DISCLOSURE TO THIRD PARTY HAS TO BE AUTHORIZED BY Amphenol LTW.

X-ON Electronics

Largest Supplier of Electrical and Electronic Components

Click to view similar products for [AC Power Entry Modules](#) category:

Click to view products by [Amphenol](#) manufacturer:

Other Similar products are found below :

[0098.0050](#) [6-1609987-9](#) [6167.0002](#) [7-6609955-2](#) [FN389-4-22](#) [FN9233ER-12-06](#) [FN9233S1-10-06](#) [FN9233S1-8-06](#) [FN9233S1B-8-06](#)
[FN9233S1R-1-06](#) [FN9233S1R-12-06](#) [FN9233SB-1-06](#) [FN9233SB-12-06](#) [FN9233SB-8-06](#) [FN9233SR-10-06](#) [FN9233SR-3-06](#) [FN9244B-15-06](#)
[HI](#) [FN9244EB-3-06](#) [FN9244EB-8-06](#) [FN9244ER-15-06](#) [FN9244ER-8-06](#) [FN9244ES1-8-06](#) [FN9244ESB-8-06](#) [FN9244EU-6-06](#)
[FN9244R-12-06](#) [FN9244R-3-07](#) [FN9244R-8-06](#) [FN9244S1-10-06](#) [FN9244S1-12-06](#) [FN9244S1-3-06](#) [FN9244S1B-6-06](#) [FN9244S1R-3-06](#)
[FN9244S-6-06](#) [FN9244SB-10-06](#) [FN9244SB-6-06](#) [FN9244SB-8-06](#) [FN9244SR-10-06](#) [FN9244SR-6-06](#) [FN9244U-3-06](#) [FN9244U-8-06](#)
[FN9260A-6-06](#) [PE00SSSXB](#) [Fuse-H-EUR-1](#) [Fuse-H-USA-1](#) [PM00XD000](#) [PS0SSDBX0](#) [PS0SXSH3B](#) [A-0701-HT-H](#) [RAPC3FG](#) [15EJMS8](#)