

Product Data Sheet

603 GP XX

Replace "XX" with 01 through 8 for number of poles

Terminal Block– Open Back
50 Amps, 600 Volts (AC/DC)



Insulator Strip Required for Voltage Rating

Copper Wire Only

Wire Range with Wire Binding Screw: #10 - #16 AWG

Wire Range with Listed Ring or Fork Lug: #6 - #16 AWG

11/16" Centers

Application torque: 20 in. lbs

Electrical Ratings:

- 50A (Based on NEC standards of 75°C ampacity)
- Wires larger than #10 AWG require listed ring or fork lug
- 600 Volts AC/DC (UL 1059 Class B and C, User Group – Commercial Appliance and General Industrial)
- Short Circuit Current Rating: 10,000A (Default)
- Approved for Factory and Field Wiring.

Mechanical Ratings:

- Storage and transportation temperature range: -35°C to 110°C (-31°F to 230°F)*
- Maximum insulator base temperature: 150°C (302°F)* UL RTI
- Flammability rating of insulator base: UL 94V-0

* Use outside these ratings needs to be judged in the end-use application.

Materials:

- Connector: Brass, nickel plated.
- Insulator base: Phenolic
- Screw, #10-32 Binder head, Phil-Slot: Steel, nickel plated
- Rivet: Brass, tin plated.

Agency Approvals:

- UL Recognized, UL 1059 Terminal Block Standard, File No. XCFR2.E47811
- CSA Certified, CSA C22.2 No. 158, File No. LR19766
- CE compliant, IEC 60947-7-1
- RoHS Compliant

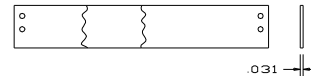
Suggested product mounting hardware: #8 fastener, torque to 15 in. lbs.

ACCESSORIES:

- JJ (GDI-30F) Material available. Glass-fiber filled, diallyl ortho-phthalate. UL-94 V0. Certifiable to Military Specifications MIL-M-14 and MIL-P-19833.

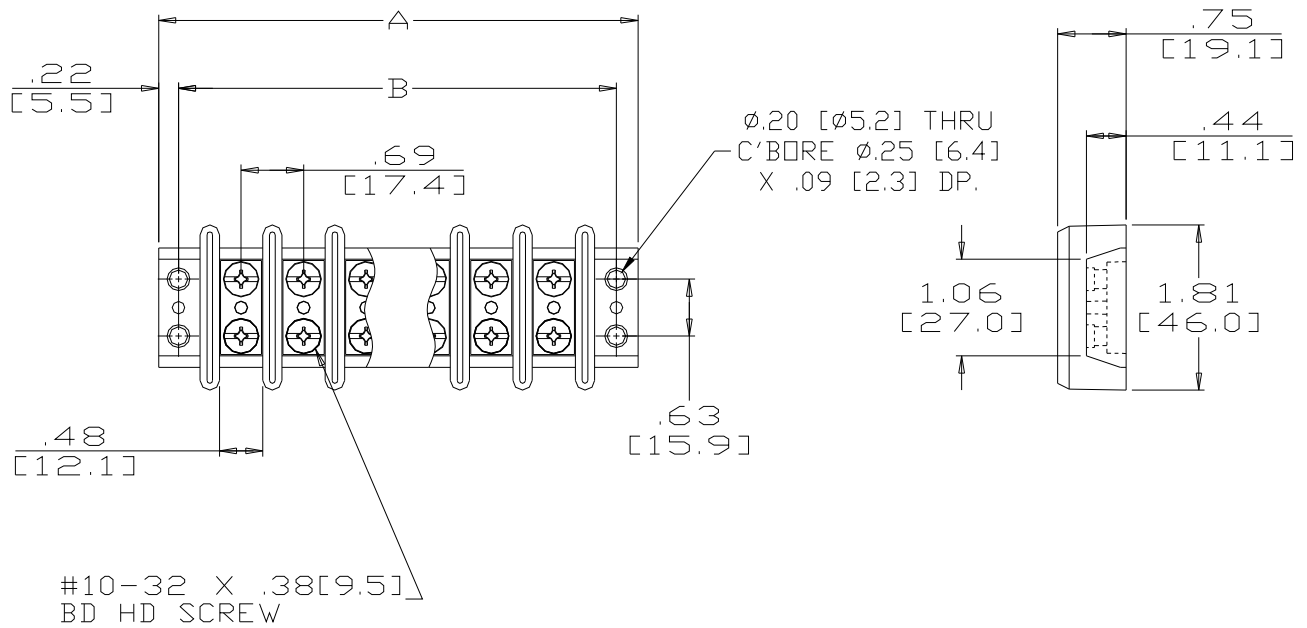
- Printing (for printing options, <http://marathonsp.com/CatalogPDFs/TBPrinting.pdf>)

- Marking strips - sub mounted or top mounted. Can be made from XP (general purpose laminate), XXXPFR (flame retardant), GME (glass cloth melamine), or GEE (glass cloth epoxy) material. <http://marathonsp.com/CatalogPDFs/MarkingStrips.pdf>



- Insulator strips - sub mounted, black only (BB) (Printing Unavailable). Insulator Strip will be the same width as the molding.

- Phil-Slot Brass Screw (PSB)



Dimensions

		A	B
603 GP 01	1	1.81	1.38
603 GP 02	2	2.50	2.06
603 GP 03	3	3.19	2.75
603 GP 04	4	3.88	3.44
603 GP 05	5	4.56	4.13
603 GP 06	6	5.25	4.81
603 GP 07	7	5.94	5.50
603 GP 08	8	6.62	6.19
603 GP 09	9	7.31	6.87
603 GP 10	10	8.00	7.56
603 GP 11	11	8.68	8.25
603 GP 12	12	9.37	8.94

MM = Dim X 25.4

WWW.MARATHONSP.COM
 1-419-352-8441

PDS 0284 REV B 02/25/16

X-ON Electronics

Largest Supplier of Electrical and Electronic Components

Click to view similar products for [Marathon manufacturer](#):

Other Similar products are found below :

[104](#) [600AGP04PSB](#) [599GP200402PSB](#) [670A GP 03](#) [601RJ 06](#) [985GP02](#) [599-GP-2004-10](#) [600-2004-3-SP](#) [600-GP-20](#) [600TS-10](#) [601-GP-2102-02](#) [601-GP-3/4ST-12](#) [601-GPYSY-03](#) [602-GPYSY-22](#) [603-2302-04](#) [603-JJ-04](#) [603-JJ-07](#) [604-JJ-06](#) [605-GP-03SLB](#) [605-JJ-02](#) [651-XPR-13](#) [670-3/4ST-9](#) [670A-GP-3000-18](#) [670A-GP-3000-25](#) [670A-GP-3000-27](#) [670A-GP-3/4ST-10](#) [CW205-01C](#) [671-RZ-25](#) [672-GPY-05](#) [699-GP-2102-08](#) [6F30A3S](#) [6H38-TSKK-C](#) [6R30A3SP](#) [F600A1B](#) [F600A3B](#) [F60A1B](#) [799-6-KT28](#) [799-7-KT28](#) [FPB33588](#) [R30A1B](#) [RF400A3B](#) [1321970](#) [1322970CH](#) [1320972](#) [1331955](#) [1332270](#) [1332360](#) [1332554CH](#) [1333280CH](#) [1333575CH](#)