

Diode type D22 are design for use in power rectifying circuits under normal operating conditions.

## KEY PARAMETERS

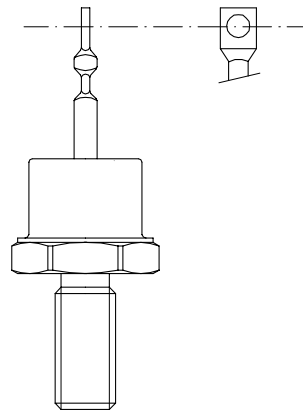
$U_{RRM}$	<b>up to 1400 V</b>
$I_{F(AV)}$	<b>20 A</b>
$I_{FSM}$	<b>275 A</b>

## FEATURES

- all diffused design
- high current capabilities
- high surge current capabilities
- compact size and small weight
- tested according to IEC standards

## APPLICATION

- Medium Voltage Power Supplies
- Motor Control
- Battery Chargers
- Free Wheeling Diode
- Resistance Welding

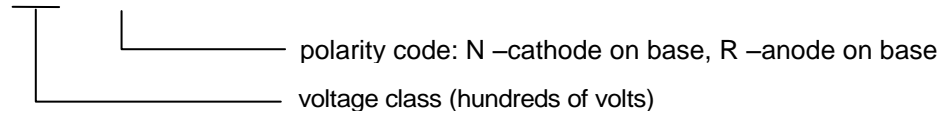


**Outline type code: DO-4**

See package details for further information

**ORDERING INFORMATION**

When ordering please refer to device code builder presented below.  
Please use the complete part number when ordering, quote or in any future correspondence relating to your order.

**D22-20-**   -  **0****ELECTRICAL PARAMETERS****Voltage ratings**

Voltage class	$U_{RRM}$	$I_{RRM}$
	V	mA
01	100	8
02	200	
04	400	
06	600	
08	800	
10	1000	
12	1200	
14	1400	

### Electrical properties

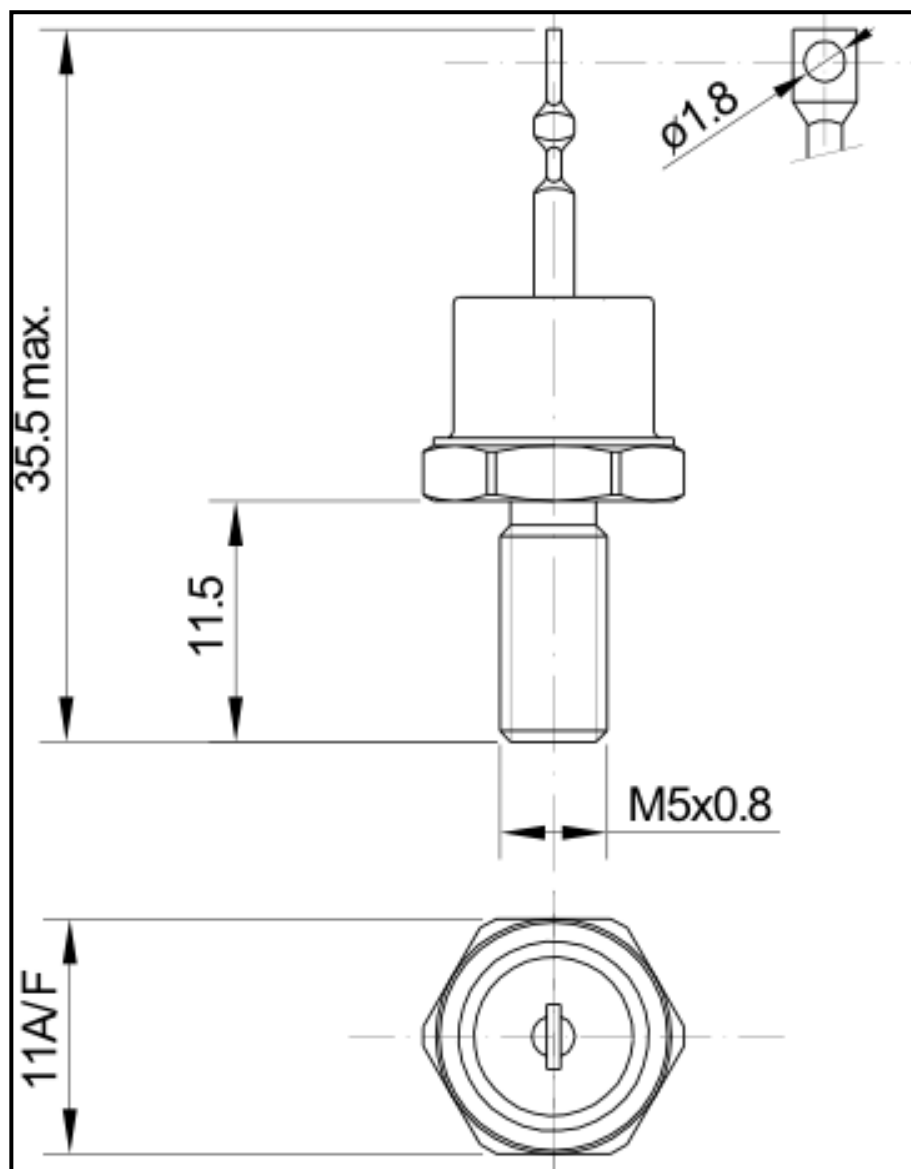
Parameter		Unit	Test conditions	Value
Average forward current @ case temperature	$I_{F(AV)}$	A		20
	$T_c$	°C		110
RMS forward current	$I_{F(RMS)}$	A		31,4
Surge current	$I_{FSM}$	A	$t_p=10ms$	275
$I^2t$ – value	$I^2t$	$kA^2s$	$T_J=T_{JMAX}$	0,378
Forward voltage drop max.	$U_{FM}$	V	$T_J=25^{\circ}C, I_{FM}=50A$	1,50
Threshold voltage	$U_{F(T0)}$	V	$T_J=T_{Jmax}$	1,15
Slope resistance	$r_F$	$m\Omega$		7

### Thermal properties

Parameter		Unit	Test conditions	Value
Thermal resistance, junction to case	$R_{thJC}$	°C/W	two sided, DC	1,50
Operating junction temperature	$T_{jmin}...T_{jmax}$	°C		-25...+160
Storage temperature	$T_{stg}$	°C		-25...+160

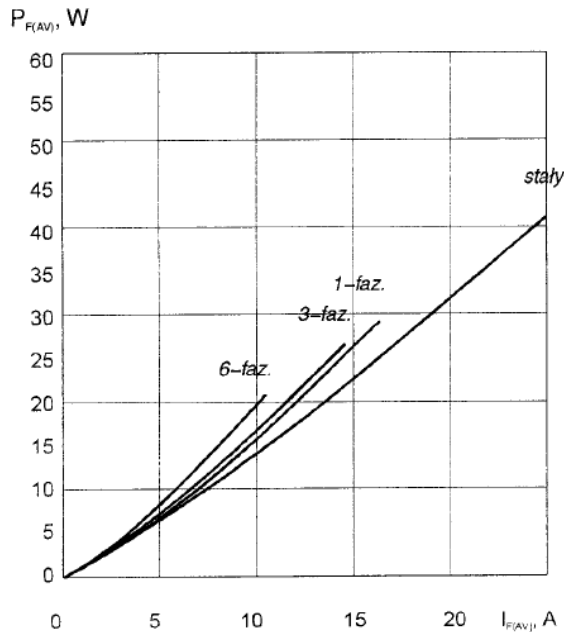
### Mechanical properties

Parameter		Unit	Value
Mounting torque	$F_M$	Nm	1,2 – 1,5
Weight	m	g	7

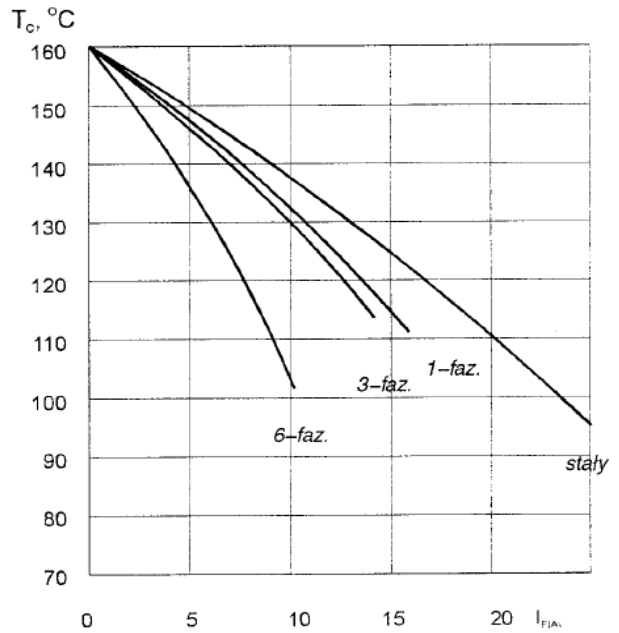


For further package information, please contact Sales & Marketing Department. All dimensions in mm, unless stated otherwise.  
Do not scale.

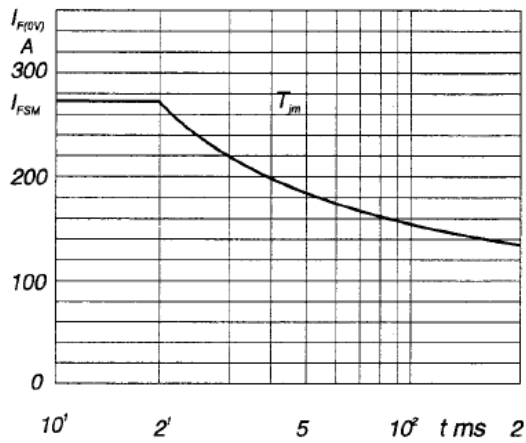
**CHARACTERISTICS**



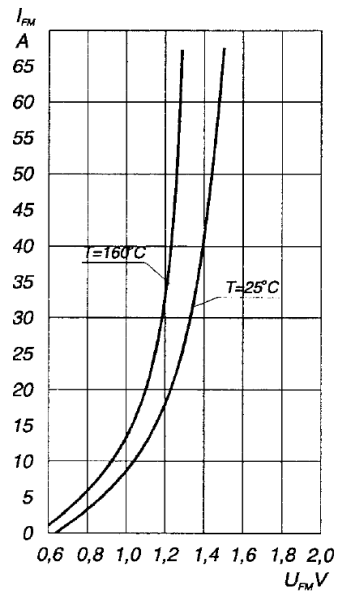
Maximum power dissipation vs. forward current. Sinusoidal waveform.



Maximum case temperature vs. forward current. Sinusoidal waveform.



Maximum overload characteristic.



Forward characteristic.

## X-ON Electronics

Largest Supplier of Electrical and Electronic Components

*Click to view similar products for [Rectifiers](#) category:*

*Click to view products by [KUBARA LAMINA](#) manufacturer:*

Other Similar products are found below :

[FERD15S50SB-TR](#) [D91A](#) [DA24F4100L](#) [DD89N1600K-A](#) [DD89N16K-K](#) [RL252-TP](#) [JANTX1N4148UB](#) [1N4005-TR](#) [HER206G-TP](#)  
[431464H](#) [BAV199-TP](#) [BY249-600](#) [BYV95A](#) [UES1306HR2](#) [UF4003-TP](#) [UFS120Je3/TR13](#) [JANS1N5420](#) [JANS1N6640US](#) [UT4040](#)  
[DD89N16K-A](#) [481235F](#) [RRE02VS6SGTR](#) [067907F](#) [MS306](#) [ND104N08K](#) [SPA2003-B-D-A01](#) [VS-80-6193](#) [VS-66-9903](#) [VGF0136AB](#)  
[US2JFL-TP](#) [UFS105Je3/TR13](#) [A1N5404G-G](#) [ACGRA4007-HF](#) [ACGRB207-HF](#) [RF301B2STL](#) [RF501B2STL](#) [VS-S1581](#) [1SS355 RR](#)  
[UES1306](#) [UES1302](#) [BAV199E6433HTMA1](#) [ACGRC307-HF](#) [ACEFC304-HF](#) [DZ-1380](#) [JANTXV1N5637A](#) [JANTX1N5555](#)  
[JANTXV1N5660A](#) [JAN1N5555](#) [MUH1PCHM389A](#) [UES1106](#)