



Fibre Management Panel 3 (FMP 3) Body Kit & Front Plates

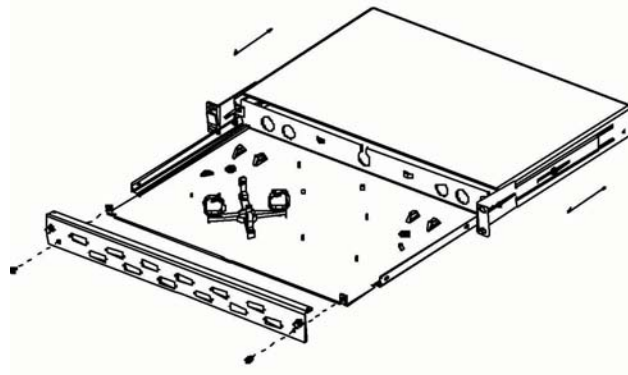
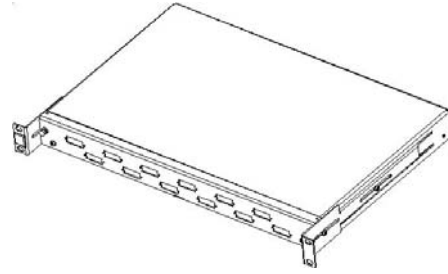
Features and Benefits

The Fibre Management Panel 3 (FMP 3) is a 1U 19" rack mounted panel, which allows direct mounting of the connectors into the front panel plates. Available in up to 24 ports in Duplex ST®, Duplex SC, MT-RJ and LC versions with a full range of cable fixing accessories. This panel is available in graphite grey and complements the existing range of Molex Premise Networks patch panel products.

The FMP 3 is a universal panel, using a common chassis that is interchangeable with our range of front plates.

The FMP 3 can be used as both a sliding and fixed panel.

- 19" rack compatible
- Up to 24 ports (48 fibres)
- Front plates available in Duplex ST®, Duplex SC, Duplex SC shuttered, MT-RJ, MT-RJ shuttered and LC shuttered
- Fibre management system
- Strain relief for fibre cable
- Flexibility - Separate chassis and front plates
- Molex Premise Networks graphite grey
- Dimensions: 442x291x44mm



Chassis & Unloaded Front Plates

Order No.	Description
RFR-00100	BODY KIT
RFR-00101	FRONT PLATE 12 PORT (UP TO 24 FIBRE) DPX ST/DPX SC UNLOADED
RFR-00102	FRONT PLATE 18 PORT (UP TO 36 FIBRE) DPX ST/DPX SC UNLOADED
RFR-00103	FRONT PLATE 24 PORT (UP TO 48 FIBRE) DPX ST/DPX SC UNLOADED
RFR-00107	FRONT PLATE 24 PORT (UP TO 48 FIBRE) MTRJ UNLOADED
RFR-00108	FRONT PLATE 24 PORT (UP TO 48 FIBRE) LC UNLOADED
RFR-00109	FRONT PLATE 6 PAK UNLOADED
RFR-00196	FRONT PLATE 24 PORT (UP TO 24 FIBRES) SPX ST UNLOADED

Loaded Front Plates – ST®

Order No.	Description
RFR-00110	FRONT PLATE 12 PORT (inc. 6 x DPX ST ADAPTERS) HALF LOADED, SM
RFR-00111	FRONT PLATE 12 PORT (inc. 12 x DPX ST ADAPTERS) FULLY LOADED, SM
RFR-00112	FRONT PLATE 18 PORT (inc. 18 x DPX ST ADAPTERS) FULLY LOADED, SM
RFR-00113	FRONT PLATE 24 PORT (inc. 24 x DPX ST ADAPTERS) FULLY LOADED, SM
RFR-00114	FRONT PLATE 12 PORT (inc. 6 x DPX ST ADAPTERS) HALF LOADED, MM
RFR-00115	FRONT PLATE 12 PORT (inc. 12 x DPX ST ADAPTERS) FULLY LOADED, MM
RFR-00116	FRONT PLATE 18 PORT (inc. 18 x DPX ST ADAPTERS) FULLY LOADED, MM
RFR-00117	FRONT PLATE 24 PORT (inc. 24 x DPX ST ADAPTERS) FULLY LOADED, MM

ST® is a registered trademark of Lucent Technologies

MOLEX PREMISE NETWORKS

Molex Premise Networks
Corporate Headquarters
Tel: 1 866 733 6659
www.molexpn.com

European
Headquarters
Tel: 44 (0) 1489 572111
www.molexpn.co.uk

Pac Rim
Headquarters
Tel: 61 3 9971 7111
www.molexpn.com.au

Molex
Incorporated
Tel: 630 969 4550
www.molex.com

FEATURES AND SPECIFICATIONS



Fibre Management Panel 3 (FMP 3) Body Kit & Front Plates

Loaded Front Plates - SC

Order No.	Description
RFR-00118	FRONT PLATE 12 PORT (inc. 6 x DPX SC ADAPTERS) HALF LOADED, SM
RFR-00119	FRONT PLATE 12 PORT (inc. 12 x DPX SC ADAPTERS) FULLY LOADED, SM
RFR-00120	FRONT PLATE 18 PORT (inc. 18 x DPX SC ADAPTERS) FULLY LOADED, SM
RFR-00121	FRONT PLATE 24 PORT (inc. 24 x DPX SC ADAPTERS) FULLY LOADED, SM
RFR-00122	FRONT PLATE 12 PORT (inc. 6 x DPX SC ADAPTERS) HALF LOADED, MM
RFR-00123	FRONT PLATE 12 PORT (inc. 12 x DPX SC ADAPTERS) FULLY LOADED, MM
RFR-00124	FRONT PLATE 18 PORT (inc. 18 x DPX SC ADAPTERS) FULLY LOADED, MM
RFR-00125	FRONT PLATE 24 PORT (inc. 24 x DPX SC ADAPTERS) FULLY LOADED, MM
RFR-00126	FRONT PLATE 12 PORT (inc. 6 x SHUTTERED DPX SC ADAPTERS) HALF LOADED, SM
RFR-00127	FRONT PLATE 12 PORT (inc. 12 x SHUTTERED DPX SC ADAPTERS) FULLY LOADED, SM
RFR-00128	FRONT PLATE 18 PORT (inc. 18 x SHUTTERED DPX SC ADAPTERS) FULLY LOADED, SM
RFR-00130	FRONT PLATE 12 PORT (inc. 6 x SHUTTERED DPX SC ADAPTERS) HALF LOADED, MM
RFR-00131	FRONT PLATE 12 PORT (inc. 12 x SHUTTERED DPX SC ADAPTERS) FULLY LOADED, MM
RFR-00132	FRONT PLATE 18 PORT (inc. 18 x SHUTTERED DPX SC ADAPTERS) FULLY LOADED, MM

Loaded Front Plates - MT-RJ

Order No.	Description
RFR-00134	FRONT PLATE 24 PORT (inc. 12 x MT-RJ ADAPTERS) HALF LOADED, SM/MM
RFR-00135	FRONT PLATE 24 PORT (inc. 24 x MT-RJ ADAPTERS) FULLY LOADED, SM/MM
RFR-00136	FRONT PLATE 24 PORT (inc. 12 x SHUTTERED MT-RJ ADAPTERS) HALF LOADED, SM/MM
RFR-00137	FRONT PLATE 24 PORT (inc. 24 x SHUTTERED MT-RJ ADAPTERS) FULLY LOADED, SM/MM

Loaded Front Plates - LC

Order No.	Description
RFR-00140	FRONT PLATE 24 PORT (inc. 12 x SHUTTERED DPX LC ADAPTERS) HALF LOADED, SM
RFR-00141	FRONT PLATE 24 PORT (inc. 24 x SHUTTERED DPX LC ADAPTERS) FULLY LOADED SM
RFR-00170	PANEL 24 PORT (inc. 24 x SHUTTERED DPX LC ADAPTERS) FULLY LOADED (inc. PIGTAILS)
RFR-00194	FRONT PLATE 24 PORT (inc. 12 x SHUTTERED DPX LC ADAPTERS) HALF LOADED MM
RFR-00195	FRONT PLATE 24 PORT (inc. 24 x SHUTTERED DPX LC ADAPTERS) FULLY LOADED MM

Adapter Kits

Order No.	Description
AFR-00200	ST/ST DUPLEX, SM, FLANGE MOUNT
AFR-00201	ST/ST DUPLEX, MM, FLANGE MOUNT
AFR-00202	SC/SC DUPLEX, SM, FLANGE MOUNT
AFR-00203	SC/SC DUPLEX, MM, FLANGE MOUNT
91.A1200	SC/SC DUPLEX, SM, FLANGE MOUNT, SHUTTERED
91.A1190	SC/SC DUPLEX, MM, FLANGE MOUNT, SHUTTERED
AFR-00126	MT-RJ/MT-RJ, SM/MM, FLANGE MOUNT
AFR-00188	MT-RJ/MT-RJ, SM/MM, FLANGE MOUNT, SHUTTERED
MX86127-1300	LC/LC DUPLEX, SM, FLANGE MOUNT, SHUTTERED
MX86127-0310	LC/LC DUPLEX, MM, FLANGE MOUNT, SHUTTERED

Accessories

Order No.	Description
KFR-00034	KEVLAR RETENTION CLAMP
KFR-00036	FIBRE SUPPORT BASE & CLIPS
91.A0760	DUPLEX ST/DUPLEX SC BLANKING PLUG (bag of 10)
KFR-00016	SIMPLEX SC/MT-RJ BLANKING PLUG (bag of 20)
91.A0860	GLAND 4-8mm M20
91.A0870	GLAND 7.5-10mm M20
91.A0880	GLAND 9.5-13.2mm M20
CSP-00030	MOUNTING ADAPTER SCREW FOR FMP (4 pack)

NOTE: RFR-00100 - Body Kit includes an FMP 3 hardware kit containing the following:

- 1 x Cable gland 4-8mm M20
- 4 x Blanking grommet 20mm
- 1 x Open grommet
- 2 x Fibre support base and clips
- 1 x Kevlar retention post
- 24 x Adapter mounting screws

The FMP 3 hardware kit is a basic kit. For high density installs, different size glands and extra cable management clips are available additionally, please see part numbers listed.

NOTE: SC Shuttered Adapters **CAN NOT** be used with the High Density SC/ST Front Plate, Part Number RFR-00103.

ST® is a registered trademark of Lucent Technologies

MOLEX PREMISE NETWORKS

Molex Premise Networks
Corporate Headquarters
Tel: 1 866 733 6659
www.molexpn.com

European
Headquarters
Tel: 44 (0) 1489 572111
www.molexpn.co.uk

Pac Rim
Headquarters
Tel: 61 3 9971 7111
www.molexpn.com.au

Molex
Incorporated
Tel: 630 969 4550
www.molex.com

©2004, Molex Premise Networks Printed in the UK Form# RFR-00100 Issue 3

This information is correct as at the time of publication, specifications are subject to change.

X-ON Electronics

Largest Supplier of Electrical and Electronic Components

Click to view similar products for [Molex manufacturer](#):

Other Similar products are found below :

[47632-3000](#) [11-24-1109](#) [11170334](#) [11404919](#) [15800169](#) [210200207](#) [11405341](#) [11210115](#) [11404599](#) [1060043388](#) [11170336](#) [11184843](#)
[11241228](#) [11404918](#) [38001344](#) [595885000](#) [622018618](#) [845901014](#) [747360213](#) [625000212](#) [716612130](#) [690372163](#) [210200257](#) [387212221](#)
[63827-1500](#) [387790039](#) [1062837003](#) [383304708](#) [395011506](#) [0533241060](#) [09623102](#) [445600022](#) [387700311](#) [26482083](#) [387240805](#)
[26612030](#) [395040607](#) [387403106](#) [22051112](#) [874381042](#) [395311509](#) [0522712269](#) [191980071](#) [398800105](#) [676430930](#) [82-24-5910](#)
[1061052100](#) [1061143200](#) [734155590](#) [34830-2002](#)