

Frame-type 5 plug-in unit 3/6 U in kit form, unshielded

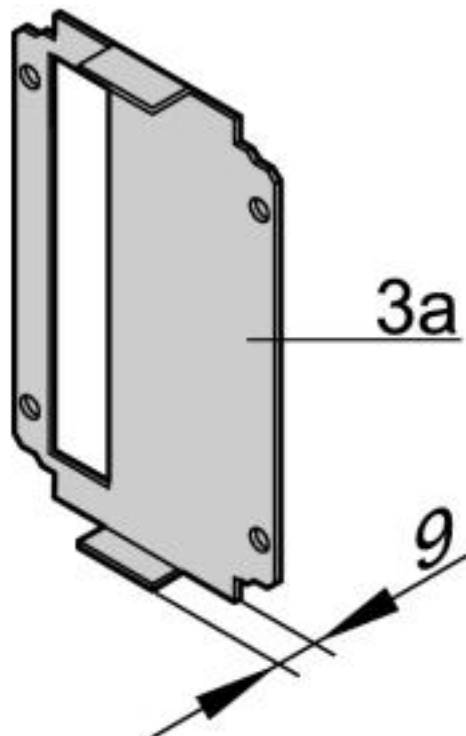
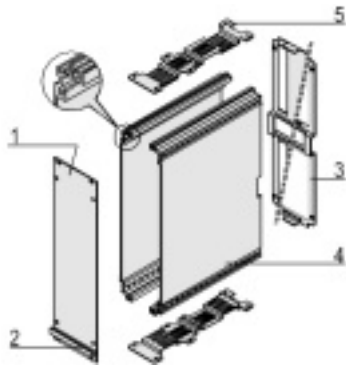
[Print page](#)



Article number: 24811-478

- Right and left extruded side panels with grooves for sliding in printed board (standard card position only on the left)
- Assembly of further boards via assembly of guide rails in the perforated covers
- Front panel unshielded, cover plates with perforation

Delivery comprises: kit



Item	Qty	Description
1	1	Front panel, Al, 2.5 mm, front anodised, rear colourless chromated
2	1	Handle, grey, PPE, UL 94 V-1
3a	1	Rear panel, Al, 1.5 mm, with cut-out for one connector
3b	1	Rear panel, Al, 1.5 mm, with cut-out for several connectors
4	2	Side panel, Al extrusion, with groove for one printed board
5	2	Cover, perforated, Al, 1 mm
6	1	Assembly kit

Technical data:

Height	Width	Description	Description
3 U	10 HP	Depth = 167 mm	Rear panel with cut-out for 1 connector

Further Information:

	User manual
---	-------------

X-ON Electronics

Largest Supplier of Electrical and Electronic Components

Click to view similar products for [Schroff](#) manufacturer:

Other Similar products are found below :

[13100103](#) [21006-945](#) [24563-157](#) [24827-024](#) [20848-487](#) [24566-125](#) [34561-198](#) [60817097](#) [60817071](#) [60807211](#) [60817072](#) [60817054](#)
[64560010](#) [14575271](#) [14576145](#) [14575265](#) [20117-156](#) [20817772](#) [20846211](#) [20860229](#) [21100777](#) [23022602](#) [23130082](#) [24571331](#) [24571586](#)
[24572066](#) [24822075](#) [26230-374](#) [30817-001](#) [30825080](#) [20849021](#) [21100359](#) [23001021](#) [24571303](#) [24572054](#) [34560489](#) [21006959](#) [20860-](#)
[624](#) [20860-611](#) [20848496](#) [20838-111](#) [20838-116](#) [20860-612](#) [20860-628](#) [20860-633](#) [10225-602](#) [14826207](#) [10828058](#) [13100105](#) [13100136](#)