

REVISION RECORD				
REV	ECN	DESCRIPTION	DRFT	DATE

仅供参考图  
 签字: *[Signature]*  
 日期: 2015.11.18



NOTES1:

UL Standard

- Rated Voltage/Current : 600V / 20A
- Withstanding Voltage : AC2200V/1Min.
- Torque Value : M2.5 , 3.54Lb.in
- Wire Range : 26~12AWG

IEC Standard

1.

Pollution Degree	3
Overvoltage Category	III
Rate Impulse Voltage(KV)	8.0KV
Rate Voltage(V)	800V
Rate Current(A)	24A

- Torque Value : M2.5 , 0.4N.m
- Wire Range : 0.2~2.5mm<sup>2</sup>

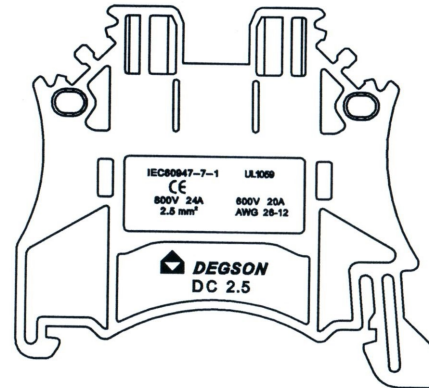
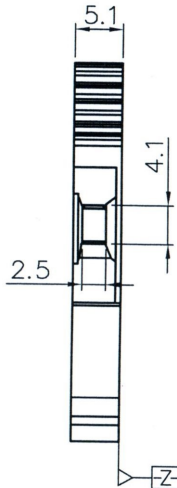
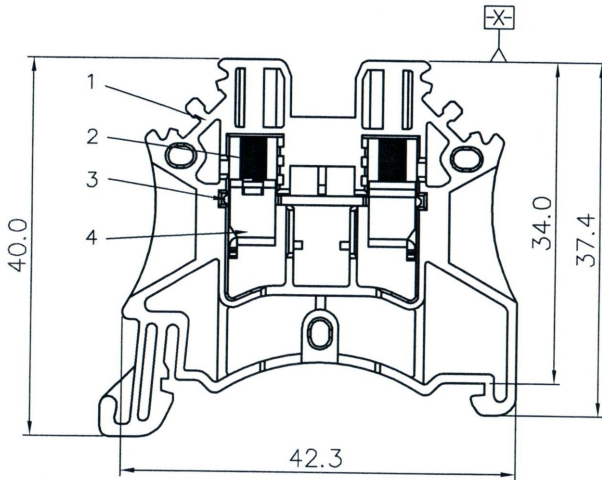
NOTES2:

- Dimension shall be interpreted per ASME Y14.5-2009
- Pitch : 5.1mm, Poles : 01P
- Stripping length : 8-9mm
- Operating temperature: -40°C~+105°C
- Undimensioned Tolerances:

Pitch Range In mm	Nominal Dimension Range In mm							0.1/10
	Over 6 TO 10	Over 10 TO 24	Over 30 TO 60	Over 60 TO 100	Over 100 TO 150	Over 150	<	
±0.15	±0.20	±0.30	±0.30	±0.50	±0.70	±1.00	±1.30	±2'

6.RoHS Compliance

ITEM	NAME OF PART	Q"TY	MATERIAL	NOTES
4	GAGE	2	STEEL	M2.5/Zn PLATED
3	CURRENT CARRIER	1	COPPER ALLOY	Sn PLATED
2	SCREW	2	STEEL	M2.5/Zn PLATED
1	HOUSING	1	PA66	UL94V-0



DETACHED LISTS	PART NO.: /	宁波高松电子有限公司 <b>DEGSON</b> ® NINGBO DEGSON ELECTRICAL CO., LTD		
	APPD: Alan 11/18/15	NAME: DC2.5-01P-1Y-00A(H)		
	CHKD: Ding 2015.11.18	TITLE: CUSTOMER DRAWING		
	DRFT: ding 2015/10/24	DRAWING NO.: DC2.5-C01	REV	DO-1
 THIRD ANGLE PROJECTION		DO NOT SCALE DRAWING	SHEET 1/1	SCALE 1:1

H  
G  
F  
E  
D  
C  
B  
A

H  
G  
F  
E  
D  
C  
B  
A

## X-ON Electronics

Largest Supplier of Electrical and Electronic Components

*Click to view similar products for [DIN Rail Terminal Blocks](#) category:*

*Click to view products by [Degson](#) manufacturer:*

Other Similar products are found below :

[1045932](#) [00110420202](#) [00110430402](#) [5724.2/L](#) [592808-3](#) [CTS25U/BL](#) [CTS2.5U-N/Y](#) [91.010](#) [91.040](#) [DP25-GY-ND](#) [15288](#) [90.070](#) [90.905](#)  
[91.001](#) [91.020](#) [91.201](#) [91.340](#) [2713793](#) [2757571](#) [280-331](#) [283-317](#) [283-607](#) [2909044](#) [2909798](#) [29-2052](#) [SRT2-OD08CL-1](#)  
[CDL4U\(E\)MOV](#) [2757801](#) [2794660](#) [284-317](#) [2890975](#) [2907033](#) [3048496](#) [CTS2.5U-N/O](#) [5542152](#) [5602077](#) [0709880](#) [5520682](#) [5605444](#)  
[5607102](#) [EPUSC](#) [SRT2-OD16P](#) [2901288](#) [591620-2](#) [1-591651-1](#) [NRA37-1/2](#) [592814-1](#) [592814-3](#) [SRT2-ID16P](#) [NRA37-12](#)