

REVISION RECORD				
REV	ECN	DESCRIPTION	DRFT	DATE

NOTES1:

UL Standard

- Rated Voltage/Current : 600V / 30A
- Withstanding Voltage : AC2200V/1Min.
- Torque Value : M3 , 4.43Lb.in
- Wire Range : 22~10AWG

IEC Standard

1.

Pollution Degree	3
Overvoltage Category	III
Rate Impulse Voltage(KV)	8.0KV
Rate Voltage(V)	1000V
Rate Current(A)	32A

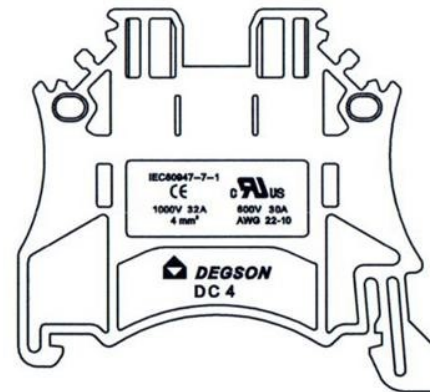
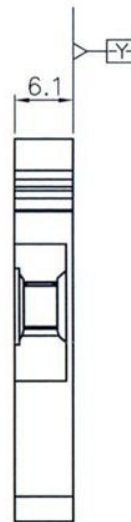
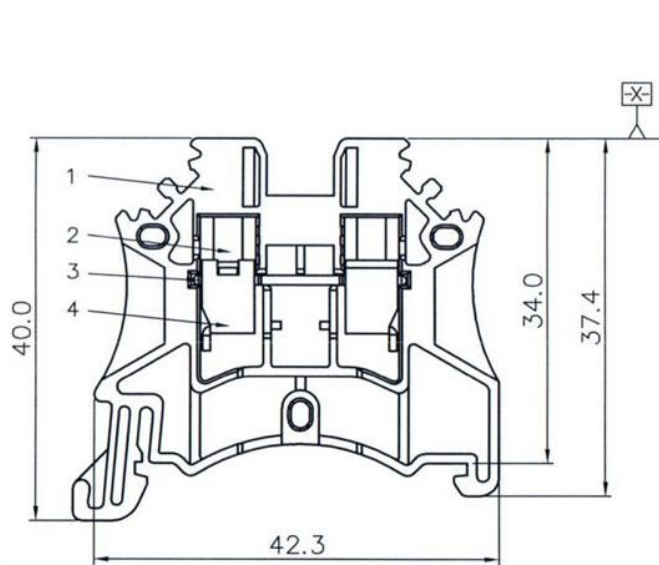
- Torque Value : M3 , 0.5N.m
- Wire Range : 0.5~4mm²

NOTES2:

- Dimension shall be interpreted per ASME Y14.5-2009
- Pitch : 6.1mm, Poles : 01P
- Stripping length : 8-9mm
- Operating temperature: -40°C~+105°C
- Undimensioned Tolerances:

Pitch Range In mm	Nominal Dimension Range In mm						- / \square / \square		
	Over 6 TO 10	Over 10 TO 24	Over 30 TO 60	Over 60 TO 100	Over 100 TO 150	Over 150			
TO 6	±0.15	±0.20	±0.30	±0.30	±0.50	±0.70	±1.00	±1.30	±2°

6.RoHS Compliance



4	GAGE	2	STEEL	M3/Zn PLATED
3	CURRENT CARRIER	1	COPPER ALLOY	Sn PLATED
2	SCREW	2	STEEL	M3/Zn PLATED
1	HOUSING	1	PA66	UL94V-0
ITEM	NAME OF PART	Q"TY	MATERIAL	NOTES

仅供参考图
 蓝贵A
 日期: 2016.06.14

DETACHED LISTS	PART NO.: /	宁波高松电子有限公司 NINGBO DEGSON ELECTRICAL CO., LTD		
	APPD: Alan 06/14/16"	NAME: DC4-01P-1Y-00A(H)		
	CHKD: ZYK 06/14/16"	TITLE: CUSTOMER DRAWING		
	DRFT: ding 2015/10/28	REV DO-1		
DRAWING NO.: DC4-C01		SHEET 1/1		
THIRD ANGLE PROJECTION		SCALE 1:1		
MM (INCH)		DO NOT SCALE DRAWING		

X-ON Electronics

Largest Supplier of Electrical and Electronic Components

Click to view similar products for [DIN Rail Terminal Blocks](#) category:

Click to view products by [Degson](#) manufacturer:

Other Similar products are found below :

[1045932](#) [00110420202](#) [00110430402](#) [5724.2/L](#) [592808-3](#) [CTS25U/BL](#) [CTS2.5U-N/Y](#) [90.080](#) [91.010](#) [91.040](#) [DP25-GY-ND](#) [15288](#) [90.070](#)
[90.202](#) [90.905](#) [91.001](#) [91.020](#) [91.201](#) [91.340](#) [2713793](#) [280-331](#) [283-317](#) [283-607](#) [2909044](#) [2909798](#) [29-2052](#) [SRT2-OD08CL-1](#)
[CDL4U\(E\)MOV](#) [2757801](#) [2794660](#) [284-317](#) [2890975](#) [2907033](#) [3048496](#) [CTS2.5U-N/O](#) [5542152](#) [5602077](#) [0709880](#) [5520682](#) [5607102](#)
[EPUSC](#) [SRT2-OD16P](#) [2901288](#) [591620-2](#) [1-591651-1](#) [NRA37-1/2](#) [592814-1](#) [592814-3](#) [SRT2-ID16P](#) [NRA37-12](#)