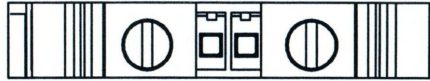


REVISION RECORD				
REV	ECN	DESCRIPTION	DRFT	DATE



仅供参考图

签字: *甘贵凡*

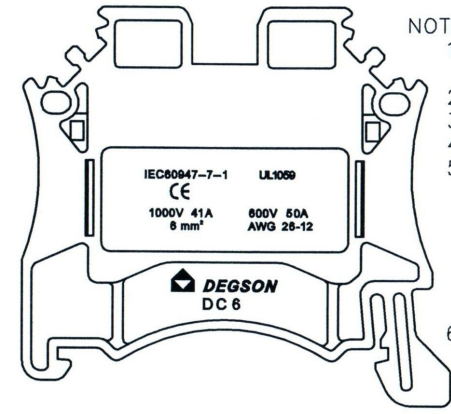
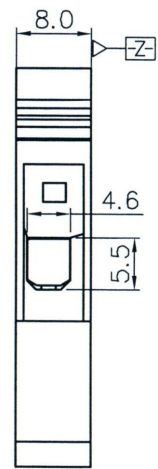
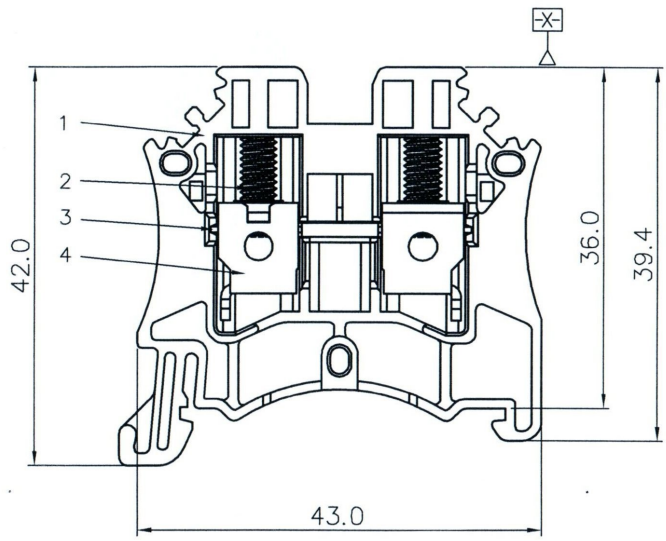
日期: 2015.11.18.

NOTES1:

- UL Standard
- Rated Voltage/Current : 600V / 50A
 - Withstanding Voltage : AC2200V/1Min.
 - Torque Value : M4 , 10.53Lb.in
 - Wire Range : 26~12AWG

IEC Standard

- | | |
|--------------------------|-------|
| Pollution Degree | 3 |
| Overtoltage Category | III |
| Rate Impulse Voltage(KV) | 8.0KV |
| Rate Voltage(V) | 1000V |
| Rate Current(A) | 41A |
- Torque Value : M4 , 1.2N.m
- Wire Range : 0.5~6mm²



NOTES2:

- Dimension shall be interpreted per ASME Y14.5-2009
- Pitch : 8.0mm, Poles : 01P
- Stripping length : 10-12mm
- Operating temperature: -40°C~+105°C
- Undimensioned Tolerances:

Pitch Range In mm		Nominal Dimension Range In mm						0.1/10
TO	Over	TO	Over	TO	Over	TO	Over	
6	10	6	10	30	60	100	150	<
10	24	30	60	100	150	150	150	
±0.15	±0.20	±0.30	±0.30	±0.50	±0.70	±1.00	±1.30	

6.RoHS Compliance

ITEM	NAME OF PART	Q"TY	MATERIAL	NOTES
4	GAGE	2	STEEL	M4/Zn PLATED
3	CURRENT CARRIER	1	COPPER ALLOY	Sn PLATED
2	SCREW	2	STEEL	M4/Zn PLATED
1	HOUSING	1	PA66	UL94V-0

DETACHED LISTS	PART NO.: /	宁波高松电子有限公司 DEGSON ® NINGBO DEGSON ELECTRICAL CO., LTD		
	APPD: <i>Alan 11/18/15</i>	NAME: DC6-01P-1Y-00A(H)		
	CHKD: <i>Dixley 2015-11-19</i>	TITLE: CUSTOMER DRAWING		
	DRFT: ding 2015/10/29	DRAWING NO.: DC6-C01	REV	D0-1
 THIRD ANGLE PROJECTION		DRAWING NO.: DC6-C01	SHEET	1/1
		 DO NOT SCALE DRAWING	SCALE	1:1

X-ON Electronics

Largest Supplier of Electrical and Electronic Components

Click to view similar products for [DIN Rail Terminal Blocks](#) category:

Click to view products by [Degson](#) manufacturer:

Other Similar products are found below :

[1045932](#) [00110420202](#) [00110430402](#) [5724.2/L](#) [592808-3](#) [CTS25U/BL](#) [CTS2.5U-N/Y](#) [91.010](#) [91.040](#) [DP25-GY-ND](#) [15288](#) [90.070](#) [90.905](#)
[91.001](#) [91.020](#) [91.201](#) [91.340](#) [2713793](#) [2757571](#) [280-331](#) [283-317](#) [283-607](#) [2909044](#) [2909798](#) [29-2052](#) [SRT2-OD08CL-1](#)
[CDL4U\(E\)MOV](#) [2757801](#) [2794660](#) [284-317](#) [2890975](#) [2907033](#) [3048496](#) [CTS2.5U-N/O](#) [5542152](#) [5602077](#) [0709880](#) [5520682](#) [5605444](#)
[5607102](#) [EPUSC](#) [SRT2-OD16P](#) [2901288](#) [591620-2](#) [1-591651-1](#) [NRA37-1/2](#) [592814-1](#) [592814-3](#) [SRT2-ID16P](#) [NRA37-12](#)