

THIS DOCUMENT IS SUBJECT TO CHANGE WITHOUT NOTICE. IT IS CONFIDENTIAL AND A PROPERTY OF LTW. DISCLOSURE TO THIRD PARTY HAS TO BE AUTHORIZED BY LTW.

8 QP02C-01-01A2

DATE	2007/07/26	DRAWN BY	EZ
DATE	2007/07/26	CHECKED BY	Jerry
DATE	2007/07/26	APPROVED BY	Victor Hung

REV.		ECN NO.		DATE		SIGN		DESCRIPTION
5								
6								
7								
8								

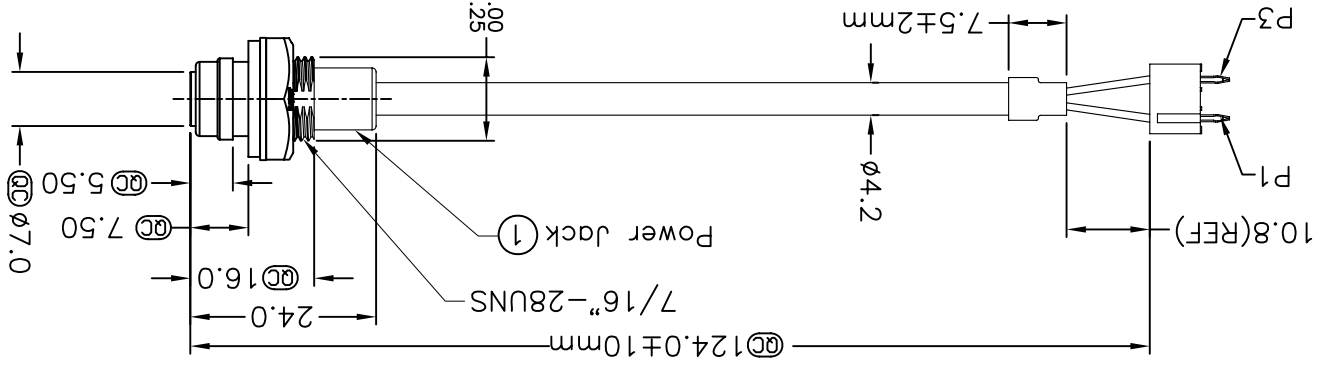
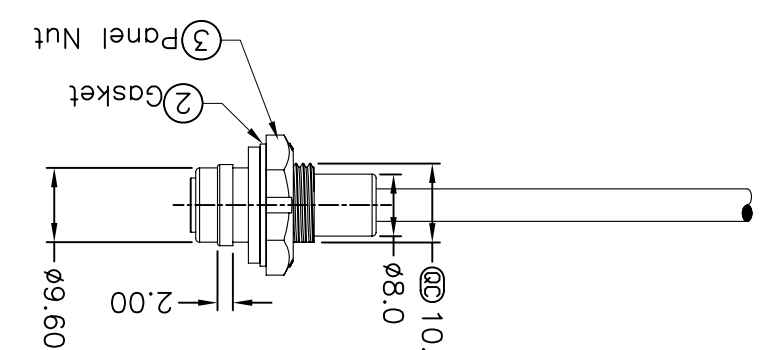
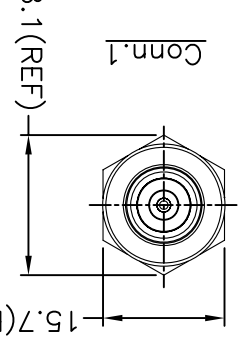
ITEM NO	LTWDCP-14RMFP-QC6001	DRAWN BY	EZ
DWG NO	LTWDCP-14RMFP-QC6001	CHECKED BY	Jerry
CUSTOMER	亮泰企業股份有限公司		

REV.	A	SIZE	A4
SCALE	Free		
SHEET 1 OF 1			

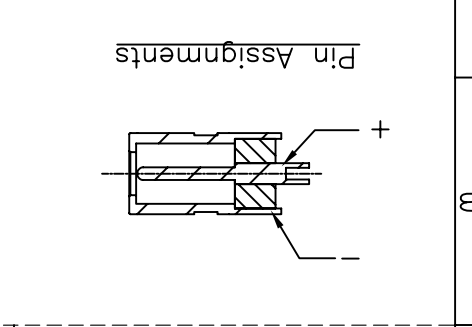
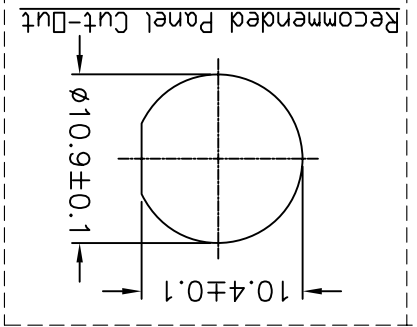
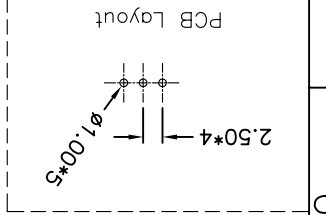
TITLE	DC Power Jack Quick Type		
SCALE	Free		
SHEET	1 OF 1		
INSPECTION	Item		

UNIT:mm	
TOLERANCE	±0.25 X ±0.1 XX ±0.05 XXX
ANGLES	±1°

- Note:
 * @Important Dimensions.
 * Waterproof Rate: Combine IP66
 * Power Jack: $\phi 3.5\text{mm}$
 * Cable: UL2464 24AWG*2C+D+AL,Black
 * UV Resistant,OD=4.2 mm
 * Maximum Panel Thickness: 3.5mm
 * Gasket:Black,EPDM
 * Nut:Black,Nylon+GF



Conn.1	Wire Color	Conn.2
+	Red 紅	1
-	Black 黑	3
Conn.1		



DATE		SIGN	
DATE		SIGN	
DATE		SIGN	

REV.		ECN NO.		DATE		SIGN		DESCRIPTION
5								
6								
7								
8								

X-ON Electronics

Largest Supplier of Electrical and Electronic Components

Click to view similar products for [DC Power Connectors](#) category:

Click to view products by [Amphenol](#) manufacturer:

Other Similar products are found below :

[1600206-1](#) [163-0301-EX](#) [163-0302](#) [163-0308-EX](#) [163-0310-EX](#) [163-1061-EX](#) [163-1100-EX](#) [163-4024](#) [163-4117-EX](#) [163-4118-EX](#) [163-5005-E](#) [163-7421](#) [163-MJ22-EX](#) [171-0721-EX](#) [171-0725-EX](#) [171-3118-EX](#) [171-3210-E](#) [171-3221-EX](#) [171-3222-EX](#) [171-A1326-EX](#) [173-23507-ST-EX](#) [173-5521TIP-EX](#) [173-6330TIP-EX](#) [KLDVX-SMT-02-ATR](#) [KLDX-0201-AHT-1](#) [KLDX-0202-AHT](#) [KLDX-SMT-0202-BP](#) [KLDX-SMT-0202-BPTR](#) [163-0179-EX](#) [163-0307-E](#) [163-0309-EX](#) [163-4007-EX](#) [163-4015-EX](#) [163-4025](#) [163-4119-E](#) [163-4303-E](#) [16PJ101-EX](#) [171-0702-EX](#) [171-0722-E](#) [171-0726-EX](#) [171-2122-EX](#) [171-3216-EX](#) [171-3218-EX](#) [171-3219-EX](#) [171-3220-EX](#) [171-7391](#) [173-3413-ST-EX](#) [173-4017-ST-EX](#) [RAPCBRK](#) [K596](#)