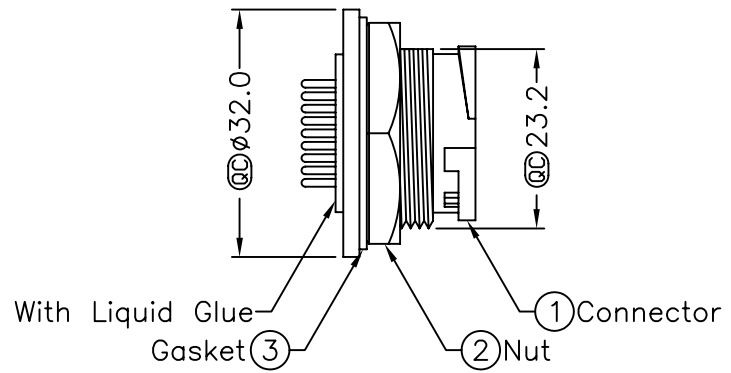
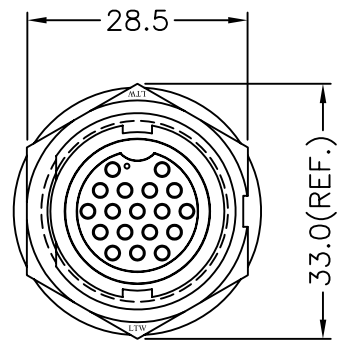
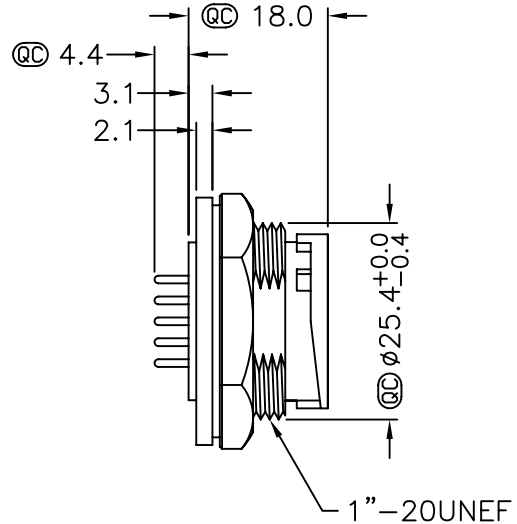
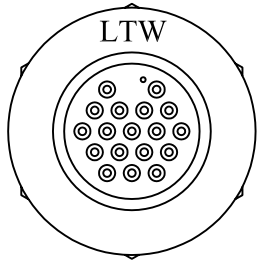
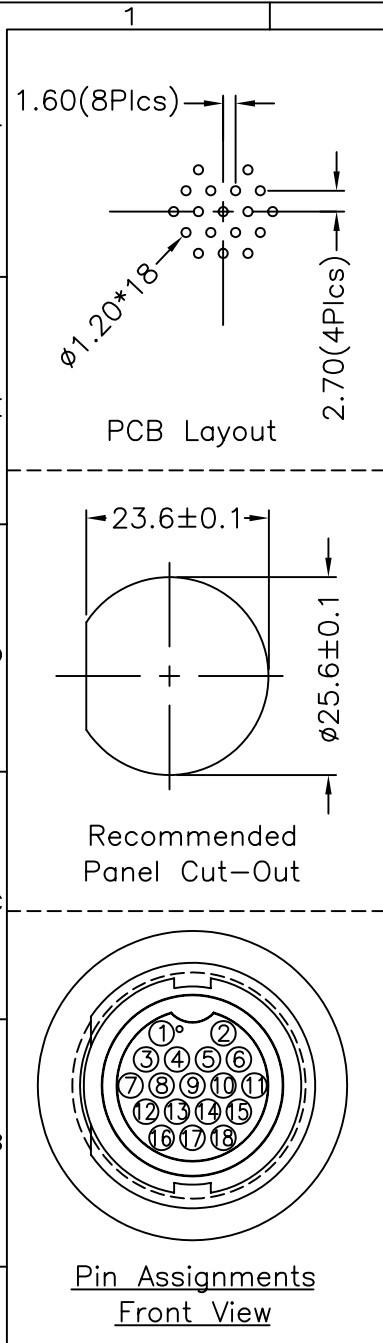
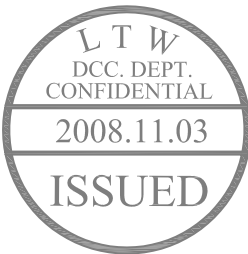


REV.	ECN NO.	DATE	SIGN	DESCRIPTION
B	LEN-8A0213	2008/09/15	Shin	Add Notes

THIS DOCUMENT IS SUBJECT TO CHANGE WITHOUT NOTICE. IT IS CONFIDENTIAL AND A PROPERTY OF LTW. DISCLOSURE TO THIRD PARTY HAS TO BE AUTHORIZED BY LTW.



Note:

- * @C Important Dimension.
- * Waterproof Rate: IP67
- * Housing: Black, Nylon+GF
- * Pin: Copper Alloy, Gold Plated
- * Gasket: Black, EPDM
- * Nut: Black, Nylon+GF
- △* Use Waterproof Cap or Dust Cap
Panel Thickness Max: 3.0mm
- △* Use without Waterproof Cap or Dust Cap
Panel Thickness Max: 4.0mm

UNIT:mm		TITLE Lock Type Connector for Panel Mount 18Pin Male Connector Female Pin
TOLERANCE .X ±0.25 .XX ±0.1 .XXX ±0.05 ANGLES ±1°	SCALE Free	SHEET 1 OF 1
REV. B	SIZE A4	@C :Inspection Item

LTW
亮泰企業股份有限公司

ITEM NO LTWDD-18PMFP-LC7001	DRAWN BY Shin	DATE 2008/09/15
DWG NO LTWDD-18PMFP-LC7001	CHECKED BY Ivan	DATE 2008/10/25
CUSTOMER	APPROVED BY Vincent	DATE 2008/10/25

X-ON Electronics

Largest Supplier of Electrical and Electronic Components

Click to view similar products for [Unspecified Connectors](#) category:

Click to view products by [Amphenol](#) manufacturer:

Other Similar products are found below :

[1-21107-1](#) [2-21053-5](#) [PSC-28-1](#) [38111](#) [403000A10M050](#) [1-1589688-1](#) [770690-4](#) [QUINT-PS/1AC/48DC/10](#) [99 9113 02 05](#) [CA06COM-PG14SE7S-SPL](#) [578302](#) [578286](#) [130623](#) [186316](#) [153253](#) [186328](#) [153322](#) [153354](#) [193951](#) [1713941](#) [HC-DD72-I-CT-F](#) [RC-5AS2000](#) [RC-5CS2000](#) [RC-Z2068](#) [VC-TR5/6M](#) [RAD-900-CONF-RF1](#) [RAD-CON-SMA-N-SS](#) [RAD-ISM-900-ANT-OMNI-0-6](#) [RAD-PIG-EF316-N-RSMA](#) [KST-POF](#) [RIF-0-RPT-12DC/21](#) [RIF-1-BPT/2X21](#) [RIF-1-RPT-LV-120AC/2X21AU](#) [PV-FT-C2F-HSG](#) [HC-EVO-B06-HHFS-2B-PL-BK](#) [99 0210 00 04](#) [801377](#) [803579](#) [710-00007](#) [125.038-8](#) [135.016](#) [136.1612](#) [137.014](#) [137.015](#) [137.016](#) [138.015](#) [138.016](#) [2000 1/8](#) [2902021](#)
[259.02SB-25](#)