

IP68 Corrosion & Impact Resistant Enclosures Technical Specification

Manufactured from high quality aluminium, this range of enclosures offers strengthened resistance against salt spray and other corrosive elements.

Combined with increased impact resistance properties, they are ideal for placement in environments where high moisture or corrosive substance levels are present.

The range maintains IP68 with corrosion resistance for up to 1000 hours in salt spray, plus impact resistance of up to 7 joules, as per EN 60079.

Finished in a textured powder coating using Epoxy-Polyester (Hybrid).



For more information:

Phone: +44 (0)1724 273206

Features:

- Corrosion Resistant
- Manufactured from GD-ALSi12
- High Impact Resistance (Whilst maintaining ingress protection)
- Longer Lifespan
- Rated IP68 (IP66 also available)

Typical Industries:

- Marine
- Automotive
- Deep water applications
- Factories with a high level of moisture or corrosive substances

Available Dimensions:

45 x 50 x 30mm	250 x 80 x 57mm
64 x 58 x 34mm	100 x 100 x 81mm
75 x 80 x 57mm	122 x 120 x 81mm
125 x 80 x 57mm	122 x 120 x 91mm
175 x 80 x 57mm	140 x 140 x 91mm

Finish: A textured powder coating, using Epoxy-Polyester (Hybrid).

Colours: Available in Grey (from stock), Black or Red (to order).

Customisation: We can machine and populate the enclosures to meet your specification.

- Visit our website for a complete services list.

DEM Manufacturing

Deltron Emcon House,
Hargreaves Way,
Sawcliffe Industrial Park,
Scunthorpe, DN15 8RF.

DELTRON Enclosures 

Web: www.dem-uk.com/deltron-enclosures

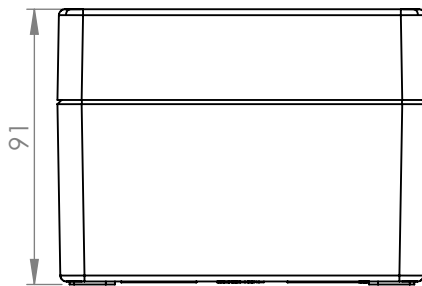
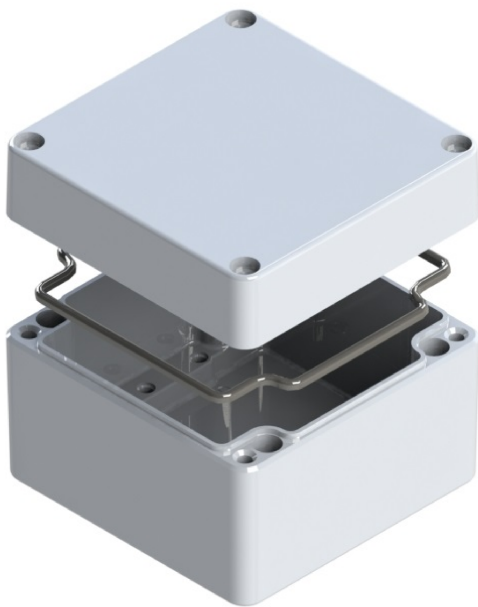
Tel: +44 (0) 1724 273206

Fax: +44 (0) 1724 280353

Email: sales@dem-uk.com

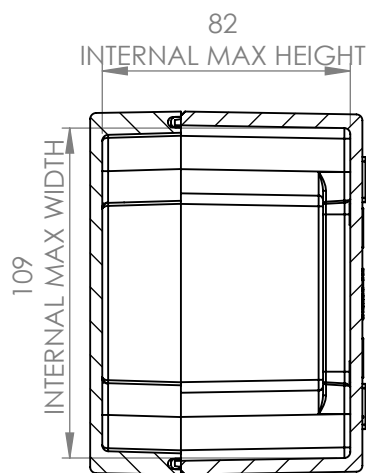
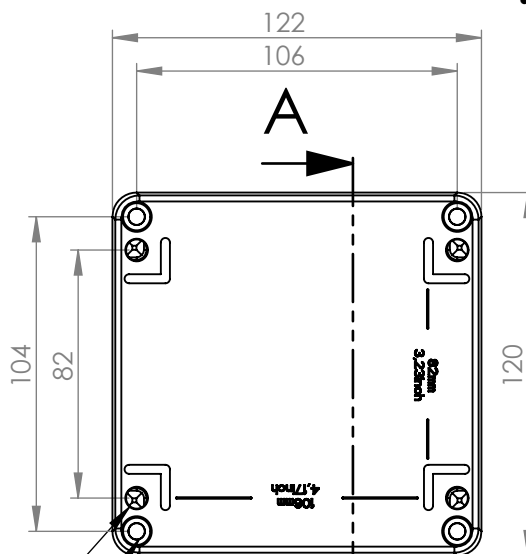
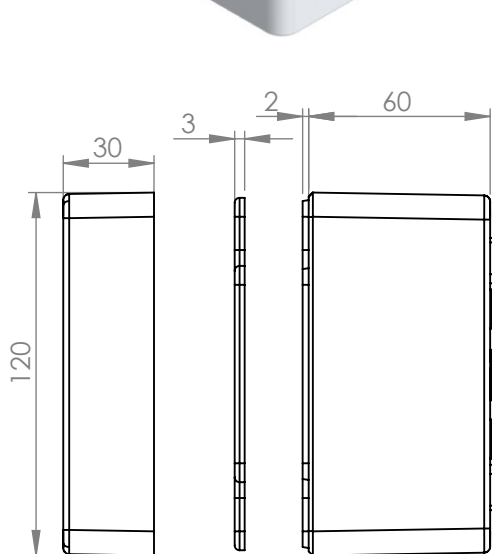
REV	DATE	ECN NUMBER	ECR COMMENT
006	06 Jun 2017	4834	
005	26 May 2017	4834	

LENGTH	WIDTH
122	120
BOX DIMENSION	



HEAVY DUTY ENCLOSURE IP68 CORROSION RESISTANT

- Material EN AC-AISI(FE) to DIN EN 12002
- IP68 Test as per IS/IEC 60529:2001
- Shock resistance 7 Joules in accordance with IEC 60068-2-27 without impairment of protection
- Seal supplied neoprene moulded (moulded silicon available on request)
- Min enclosure wall thickness 2.4mm
- Min enclosure lid thickness 2.4mm
- Enclosures can be supplied fully finished
- Powder coating 70-90 µm external
- Salt spray >1000h
- Screws stainless steel captive
- Lid screw torque rating M4-1.5Nm



MOUNTING HOLES X4
LID FIXING POINTS X4

SECTION A-A



PROPRIETARY AND CONFIDENTIAL:
THE INFORMATION CONTAINED IN THIS DRAWING IS THE SOLE PROPERTY OF ALPHA 3 MANUFACTURING. ANY REPRODUCTION IN PART OR AS A WHOLE WITHOUT THE WRITTEN PERMISSION OF ALPHA 3 MANUFACTURING IS PROHIBITED.
DEM Manufacturing is a division of Alpha 3 Manufacturing LTD
DEM Manufacturing, Deltron Emcon House, Hargreaves Way, Sawcliffe Ind. Park, Scunthorpe, North Lincolnshire, DN15 8RF, UK

UNLESS OTHERWISE SPECIFIED DIMENSIONS ARE IN MILLIMETRES
LINEAR & RADIAL TOLERANCE:
NO DECIMAL PLACES
1 DECIMAL PLACE
2 DECIMAL PLACES
ANGULAR TOLERANCE:

IF IN DOUBT ASK! DO NOT SCALE DRAWING!	
FINISH	PLAIN/POWDERCOAT
MATERIAL	ALUMINIUM
THE FINISHED PRODUCT SHOULD BE CLEAN AND FREE FROM ALL LIQUIDS AND DEBRIS. SURFACES SHOULD BE OF UNIFORM APPEARANCE FREE FROM SHARP EDGES, BURRS AND CORROSION	

AUTHOR	EDITOR
APPROVER	THIRD ANGLE PROJECTION

+44(0)1724 273200

www.dem-uk.com

X-ON Electronics

Largest Supplier of Electrical and Electronic Components

Click to view similar products for [Enclosures, Boxes, & Cases](#) category:

Click to view products by [Deltron](#) manufacturer:

Other Similar products are found below :

[CR-425 PAINTED](#) [585-R-WH-PK](#) [M-10-PLATED](#) [60221-01](#) [60566-01-000](#) [HPL-9VB BATT DOOR](#) [M-16-LID-PLATED](#) [M18-PLTD](#) [M-21-LID-PLATED](#) [M-21-PLATED](#) [M-23-PLATED](#) [CU-281-MB](#) [6711GSKT](#) [71884-29-028](#) [LH45-100 Black](#) [7200B](#) [72868-510-000](#) [CNS-0000 Black](#) [72883-510-000](#) [CNS-0101 Black](#) [72906-510-000](#) [CNS-0407 Black](#) [73091-510-000](#) [CNM-0000-BLACK Kit](#) [73092-510-000](#) [CNM-0101 Black](#) [73108-510-000](#) [CNL-0303 Black](#) [73395-510-039](#) [CNS-0006 Bone](#) [74257-510-000](#) [CNL-0004](#) [MDC-1183-PLAIN-ALUM](#) [MDC-1183-PTD](#) [MDC-13104-PLAIN-ALUM](#) [MDC-211 - PAINTED IVORY/BEIGE](#) [MDC-321-PTD](#) [MDC-432-PLAIN-ALUM](#) [MDC-973-PTD](#) [76](#) [77153-01-028](#) [FLX6030](#) [83535-01-508](#) [PS-11296-G](#) [PS-11298-B](#) [116-508](#) [120-407](#) [120-412](#) [120-909](#) [120-455](#) [R272-100-000](#) [120-910](#) [R501-001-010](#) [R508-080-000](#) [R508-160-000](#) [R530-120-000](#) [R530-122-000](#) [R530-200-000](#) [R531-160-000](#) [R531-200-000](#) [R582-080-100](#)