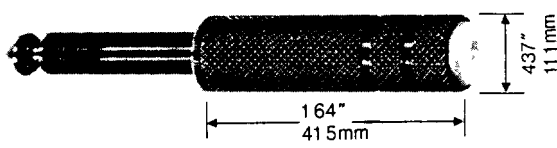


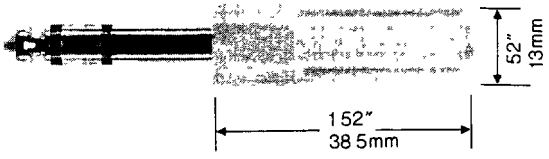
**P3 Stereo screened ¼"**



These are similar in design to the type P1 except that they have three contacts and are available with centre solder tag only Max cable Ø 6.4mm without grommet  
P3/P Chrome plated plastic cover for lower cost

**P3 - CL1044      P3/P - CL10455**

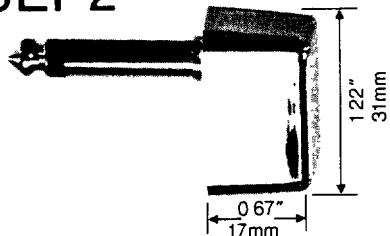
**P4 Stereo unscreened ¼"**



The unscreened version of the three pole jack plug is similar to the type P3 but with a tough moulded cover and is available in the following colours  
Black, White, Grey, Green, Red, Blue, Yellow  
Max cable Ø 6.5mm

**Computer Ref. No. depends on colour.**

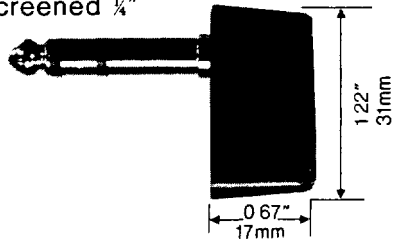
**SEP1, SEP2 Mono side entry**  
plug, chrome or plastic cover both screened ¼"



SEP1 is a side entry version of the P1 with two contacts and a chrome finish, suitable for entertainment equipment, amplifiers, recorders etc (Outer cover is plated plastic)  
SEP2 has a coloured plastic cover which is a snap on fit over the die cast cover  
Max cable Ø 5.0mm

**SEP1 - CL1088      SEP2 - Depends on colour**

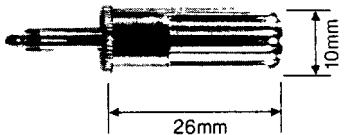
**SEP3, SEP4 Stereo side entry plug, chrome or plastic cover both screened ¼"**



SEP3 is similar in design to the SEP1 but has three poles instead of two (Outer cover is plated plastic)  
SEP4 has a coloured plastic cover which is a snap on fit over the die cast cover Max cable Ø 5.0mm

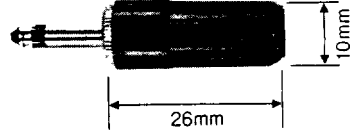
**SEP3 - CL1098      SEP4 - Depends on colour**

**P5 3.5mm. mono screened**



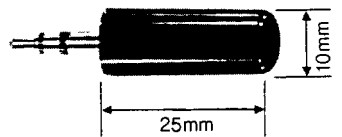
Manufactured with a plated plastic case They have an integral cable clamp, similar in design to the P1 and centre solder tag connection Max cable Ø 4.5mm  
Standard Version = P5 CL1062  
Long Tip Version = P5—Continental (Specially designed for use with oriental sockets) CL1064

**P6 3.5mm. mono unscreened**



This is a similar design to the P5 except that it is fitted with a plastic case which is available in various colours  
Max cable Ø 4.5mm  
Standard Version = P6 Black CL1066  
Long Tip Version = P6—Continental CL1068

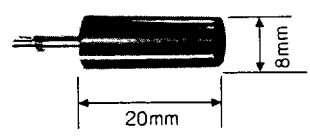
**JPS 35 3.5mm. stereo unscreened**



Dimensionally similar to P5 Only Black cover is available  
For use with sockets such as JY035, JY039  
Max cable Ø 5mm  
**CAUTION — SOLDER CAREFULLY**

**FT6300**

**JPO 25 2.5mm mono unscreened**



Smallest available Jack Plug Only Black colour cover is available For use with sockets JY025, JY026  
Use of 2.5mm plugs needs care We recommend do not use if a 3.5mm type could be used  
Max cable Ø 3.5mm **CAUTION — SOLDER CAREFULLY**

**FC6814**

## **X-ON Electronics**

Largest Supplier of Electrical and Electronic Components

*Click to view similar products for [Cliff manufacturer](#):*

Other Similar products are found below :

[FC7105](#) [CIH206011](#) [CIH22105](#) [FCR7360L](#) [FM686813](#) [CP30152](#) [CP30173](#) [CP30176](#) [CP30178](#) [CP30179](#) [CP30180](#) [CP30186](#) [FCR7942](#)  
[CL-SFE/1 FILTERS](#) [CP30220X](#) [FCR7360B](#) [FM686816](#) [CIH29917](#) [CP30170](#) [CP30174](#) [CIH684216](#) [FD72082](#) [FCR2062](#) [CP30171](#) [CP30182](#)  
[CP30184](#) [CIH3021](#) [FM686806](#) [CIH29950](#) [CIH29916](#) [CP30150](#) [CP30500C](#) [FCR1121](#) [CL1115](#) [CP30181](#) [CP30202M](#) [CP30202M3B](#) [K85](#)  
[CAPS BLUE PLAIN](#) [CIH299450](#) [CL2075S](#) [FM65015](#) [CL2076S](#) [CL1734](#) [300PN](#) [DCPP3](#) [FC7106](#) [FCR7960RB](#) [FM686842](#) [CP30202M3](#)  
[CIH3006](#)