

Interface module - DFLK-D 9 SUB/B - 2287135

Please be informed that the data shown in this PDF Document is generated from our Online Catalog. Please find the complete data in the user's documentation. Our General Terms of Use for Downloads are valid (<http://phoenixcontact.com/download>)




The VARIOFACE feed-through module implements a 1:1 connection between screw connection terminal blocks and a D-SUB miniature socket strip (number of positions: 9). A separate ground tap is available.

Why buy this product

- 9 to 50-pos.
- 9 to 37-pos.: separate ground tap
- 50-pos.: no ground tap
- According to IEC 60807-2
- 1:1 connection
- Screw connection
- D-SUB 4-40 UNC thread



Key Commercial Data

| | |
|--------------------------------------|---------------------------------------------------------------------------------------------------------|
| Packing unit | 5 pc |
| GTIN |  4 017918 056032 |
| Weight per Piece (excluding packing) | 35.03 g |
| Custom tariff number | 85369010 |
| Country of origin | Germany |

Technical data

Dimensions

| | |
|--------|---------|
| Width | 39 mm |
| Height | 58.4 mm |
| Depth | 33 mm |

Ambient conditions

| | |
|-----------------------------------------|------------------|
| Ambient temperature (operation) | -20 °C ... 50 °C |
| Ambient temperature (storage/transport) | -20 °C ... 70 °C |

General

| | |
|------------------------------|-------------|
| Max. perm. operating voltage | 125 V AC/DC |
|------------------------------|-------------|

Interface module - DFLK-D 9 SUB/B - 2287135

Technical data

General

| | |
|-----------------------------------------|--------------------------------|
| Max. perm. current (per branch) | 2.5 A |
| Max. permissible current (all branches) | 22.5 A |
| Number of positions | 9 |
| Mounting position | any |
| Assembly instructions | In rows with zero spacing |
| Degree of protection | IP20 |
| Standards/regulations | IEC 60664 |
| | DIN EN 50178 |
| | IEC 62103 |
| Rated insulation voltage | 125 V |
| Rated surge voltage | 1.2 kV (Functional insulation) |
| Degree of pollution | 2 |
| Overvoltage category | II |

Connection data for connection 1

| | |
|----------------------------------|---------------------------------------------|
| Connection name | Field level |
| Connection in acc. with standard | IEC / EN |
| Connection method | Screw connection |
| Stripping length | 8 mm |
| Screw thread | M3 |
| Conductor cross section solid | 0.2 mm ² ... 4 mm ² |
| Conductor cross section flexible | 0.2 mm ² ... 2.5 mm ² |
| Conductor cross section AWG | 24 ... 12 |

Connection data for connection 2

| | |
|---------------------|--------------------|
| Connection name | Controller level |
| Connection method | D-SUB socket strip |
| Number of positions | 9 |

Standards and Regulations

| | |
|----------------------------------|--------------|
| Connection in acc. with standard | CUL |
| Standards/regulations | IEC 60664 |
| | DIN EN 50178 |
| | IEC 62103 |
| Degree of pollution | 2 |
| Overvoltage category | II |

Classifications

eCl@ss

| | |
|------------|----------|
| eCl@ss 4.0 | 27250313 |
| eCl@ss 4.1 | 27250313 |

Interface module - DFLK-D 9 SUB/B - 2287135

Classifications

eCl@ss

| | |
|------------|----------|
| eCl@ss 5.0 | 27250313 |
| eCl@ss 5.1 | 27250313 |
| eCl@ss 6.0 | 27242608 |
| eCl@ss 7.0 | 27141152 |
| eCl@ss 8.0 | 27141152 |

ETIM

| | |
|----------|----------|
| ETIM 2.0 | EC001434 |
| ETIM 3.0 | EC001604 |
| ETIM 4.0 | EC001604 |
| ETIM 5.0 | EC002780 |

UNSPSC

| | |
|---------------|----------|
| UNSPSC 6.01 | 30211824 |
| UNSPSC 7.0901 | 39121421 |
| UNSPSC 11 | 39121421 |
| UNSPSC 12.01 | 39121421 |
| UNSPSC 13.2 | 39121421 |

Approvals

Approvals

Approvals

UL Recognized / cUL Recognized / EAC / EAC / cULus Recognized

Ex Approvals

Approvals submitted

Approval details

| | |
|--------------------------------|-------|
| UL Recognized | |
| mm ² /AWG/kcmil | 30-12 |
| Nominal current I _N | 2.5 A |
| Nominal voltage U _N | 125 V |

Interface module - DFLK-D 9 SUB/B - 2287135

Approvals

| | |
|--------------------------------|-------|
| cUL Recognized | |
| mm ² /AWG/kcmil | 30-12 |
| Nominal current I _N | 2.5 A |
| Nominal voltage U _N | 125 V |

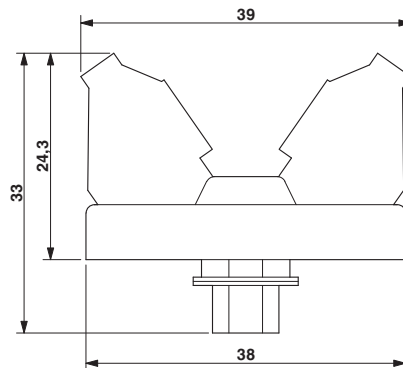
EAC

EAC

cULus Recognized

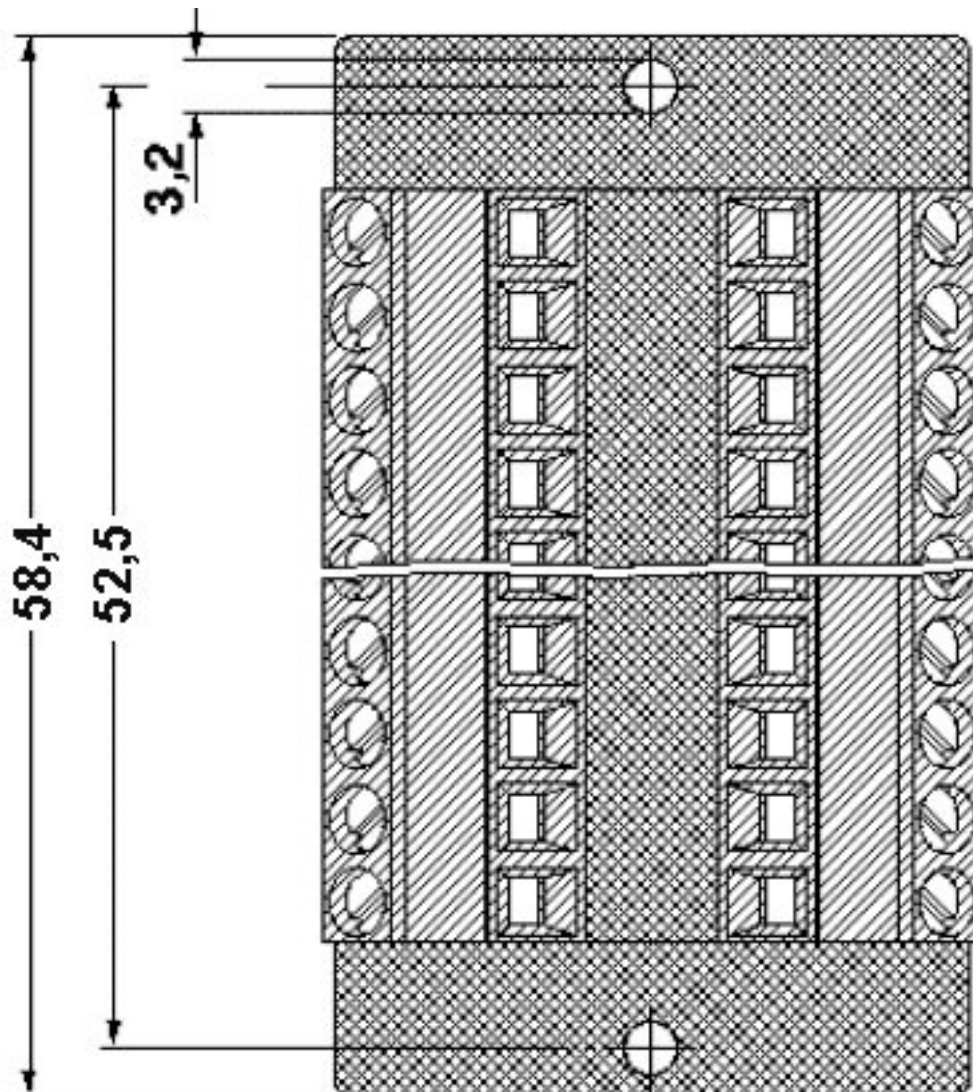
Drawings

Dimensional drawing



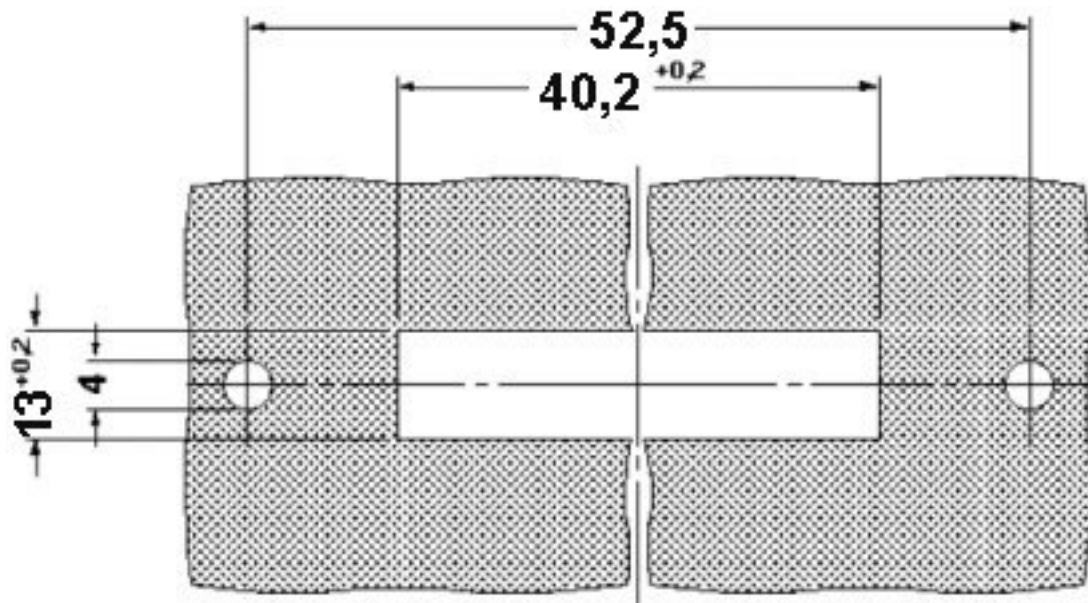
Interface module - DFLK-D 9 SUB/B - 2287135

Dimensional drawing



Interface module - DFLK-D 9 SUB/B - 2287135

Dimensional drawing



X-ON Electronics

Largest Supplier of Electrical and Electronic Components

Click to view similar products for [D-Sub Standard Connectors](#) category:

Click to view products by [Phoenix Contact](#) manufacturer:

Other Similar products are found below :

[DCM37S732N](#) [DAM15P500](#) [DEV09S364GTLF](#) [DEM09P032N](#) [DDM50P732N](#) [DAM15S332N](#) [173109-2218](#) [173109-2466](#) [173109-2436](#)
[173109-2435](#) [56F706-005-LI](#) [56F711-015](#) [015-0341-000](#) [015-0372-008](#) [015-8544-011](#) [017041-0005](#) [020419-0104](#) [012-0515-000](#) [012-9507-](#)
[034](#) [012-9507-114](#) [012-9534-001](#) [020745-0008](#) [609-25P](#) [M24308/2-23Z](#) [M243082310F](#) [M243082410F](#) [M243082411F](#) [M24308/4-21](#)
[CT1A18-11PSA206](#) [CT1N36-5SC](#) [CT2-16S-17PS](#) [CT2-20-15PCAU](#) [CT2-24-12PS](#) [CT2-24-28PSF127A206](#) [CT2-32-9PC](#) [CT6F9767-14-4-](#)
[14S-5PC](#) [CT6FA10SL-4PS](#) [CT7-18-10SC](#) [CT7-18-10SCAU](#) [CT7-18-12SCAU](#) [CT7-18-1PC](#) [CT7-18-1PCAU](#) [CT7-18-21SCAU](#) [M83513/01-](#)
[FC](#) [M83723/76W24619 L/C](#) [M85049/48-3-2F](#) [69001-865](#) [6STD09PCM99B70X](#) [6STD09SCM99B30X](#) [6STD09SCT99S40X](#)