

## Interface module - DFLK-D 9 SUB/S - 2283870

Please be informed that the data shown in this PDF Document is generated from our Online Catalog. Please find the complete data in the user's documentation. Our General Terms of Use for Downloads are valid (<http://phoenixcontact.com/download>)




The VARIOFACE feed-through module implements a 1:1 connection between screw connection terminal blocks and a D-SUB miniature pin strip (number of positions: 9). A separate ground tap is available.

### Why buy this product

- 9 to 50-pos.
- 50-pos.: no ground tap
- 9 to 37-pos.: separate ground tap
- According to IEC 60807-2
- 1:1 connection
- Screw connection
- D-SUB 4-40 UNC thread



### Key Commercial Data

Packing unit	5 pc
GTIN	 4 017918 055639
Weight per Piece (excluding packing)	0.49 g
Custom tariff number	85369010
Country of origin	Germany

### Technical data

#### Dimensions

Width	39 mm
Height	58.4 mm
Depth	33 mm

#### Ambient conditions

Ambient temperature (operation)	-20 °C ... 50 °C
Ambient temperature (storage/transport)	-20 °C ... 70 °C

#### General

Max. perm. operating voltage	125 V AC/DC
------------------------------	-------------

# Interface module - DFLK-D 9 SUB/S - 2283870

## Technical data

### General

Max. perm. current (per branch)	2.5 A
Max. permissible current (all branches)	22.5 A
Number of positions	9
Mounting position	any
Assembly instructions	In rows with zero spacing
Degree of protection	IP20
Standards/regulations	IEC 60664
	DIN EN 50178
	IEC 62103
Rated insulation voltage	125 V
Rated surge voltage	1.2 kV (Functional insulation)
Degree of pollution	2
Overvoltage category	II

### Connection data for connection 1

Connection name	Field level
Connection in acc. with standard	IEC / EN
Connection method	Screw connection
Stripping length	8 mm
Screw thread	M3
Conductor cross section solid	0.2 mm <sup>2</sup> ... 4 mm <sup>2</sup>
Conductor cross section flexible	0.2 mm <sup>2</sup> ... 2.5 mm <sup>2</sup>
Conductor cross section AWG	24 ... 12

### Connection data for connection 2

Connection name	Controller level
Connection method	D-SUB pin strip
Number of positions	9

### Standards and Regulations

Connection in acc. with standard	CUL
Standards/regulations	IEC 60664
	DIN EN 50178
	IEC 62103
Degree of pollution	2
Overvoltage category	II

### Classifications

#### eCl@ss

eCl@ss 4.0	27250313
eCl@ss 4.1	27250313

# Interface module - DFLK-D 9 SUB/S - 2283870

## Classifications

### eCl@ss

eCl@ss 5.0	27250313
eCl@ss 5.1	27250313
eCl@ss 6.0	27242608
eCl@ss 7.0	27141152
eCl@ss 8.0	27141152

### ETIM

ETIM 2.0	EC001434
ETIM 3.0	EC001604
ETIM 4.0	EC001604
ETIM 5.0	EC002780

### UNSPSC

UNSPSC 6.01	30211824
UNSPSC 7.0901	39121421
UNSPSC 11	39121421
UNSPSC 12.01	39121421
UNSPSC 13.2	39121421

## Approvals

### Approvals

Approvals

UL Recognized / cUL Recognized / EAC / cULus Recognized

Ex Approvals

Approvals submitted

### Approval details

UL Recognized	
mm <sup>2</sup> /AWG/kcmil	30-12
Nominal current I <sub>N</sub>	2.5 A
Nominal voltage U <sub>N</sub>	125 V

# Interface module - DFLK-D 9 SUB/S - 2283870

## Approvals

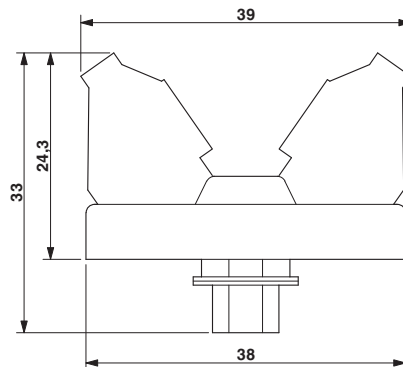
cUL Recognized	
mm <sup>2</sup> /AWG/kcmil	30-12
Nominal current I <sub>N</sub>	2.5 A
Nominal voltage U <sub>N</sub>	125 V

EAC
-----

cULus Recognized
------------------

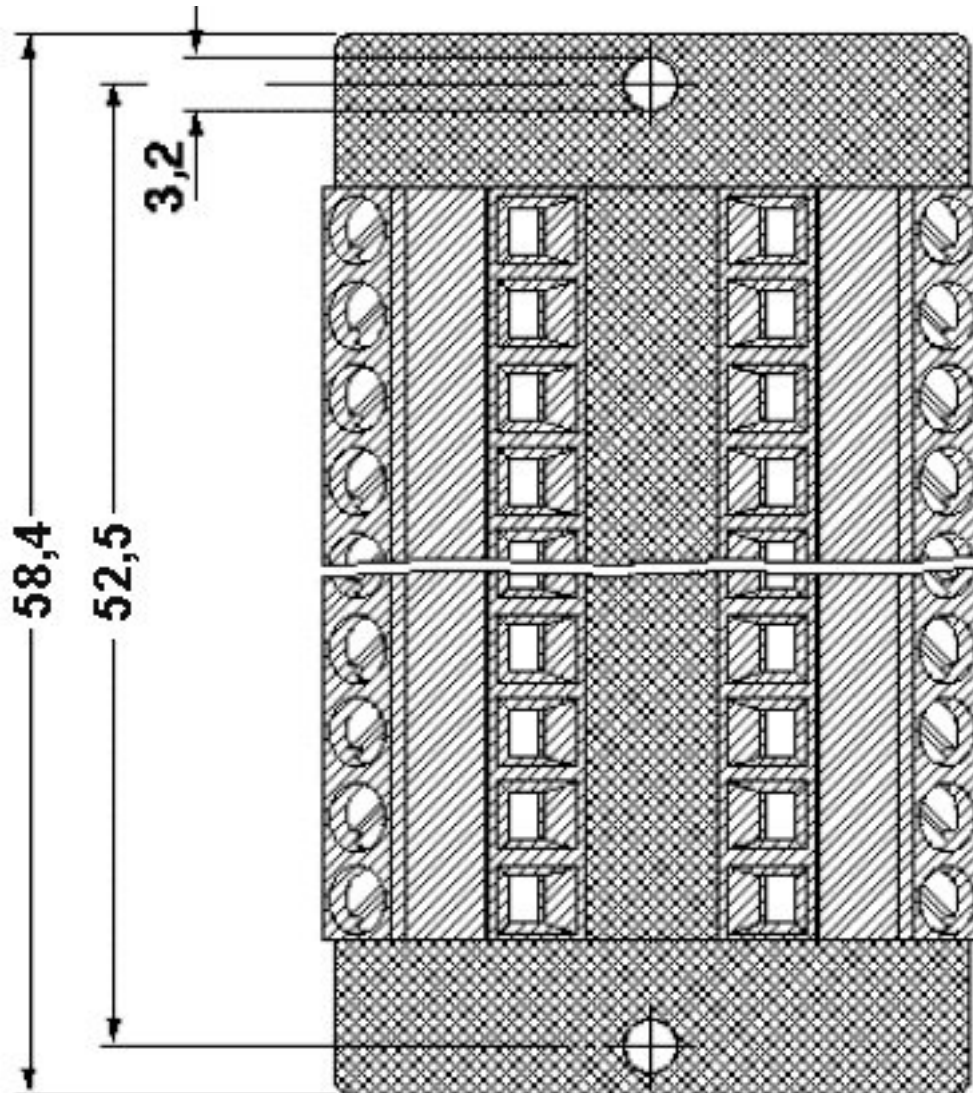
## Drawings

Dimensional drawing



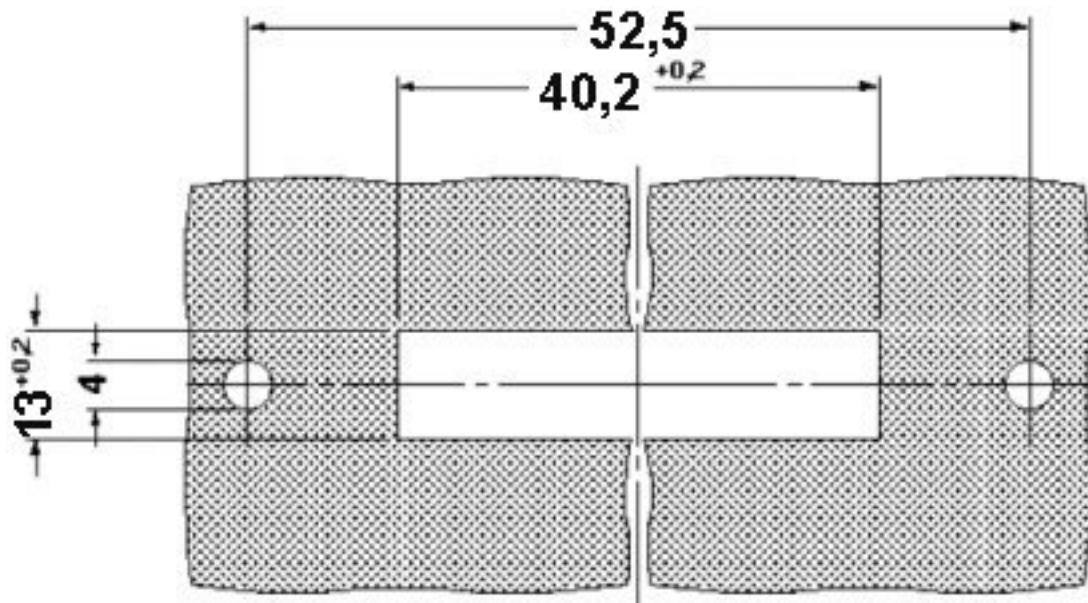
# Interface module - DFLK-D 9 SUB/S - 2283870

Dimensional drawing



## Interface module - DFLK-D 9 SUB/S - 2283870

Dimensional drawing



## X-ON Electronics

Largest Supplier of Electrical and Electronic Components

*Click to view similar products for [D-Sub Standard Connectors](#) category:*

*Click to view products by [Phoenix Contact](#) manufacturer:*

Other Similar products are found below :

[DCM37S732N](#) [DAM15P500](#) [DEV09S364GTLF](#) [DEM09P032N](#) [DDM50P732N](#) [DAM15S332N](#) [173109-2218](#) [173109-2466](#) [173109-2436](#)  
[173109-2435](#) [56F706-005-LI](#) [56F711-015](#) [015-0341-000](#) [015-0372-008](#) [015-8544-011](#) [017041-0005](#) [020419-0104](#) [012-0515-000](#) [012-9507-](#)  
[034](#) [012-9507-114](#) [012-9534-001](#) [020745-0008](#) [609-25P](#) [M24308/2-23Z](#) [M243082310F](#) [M243082410F](#) [M243082411F](#) [M24308/4-21](#)  
[CT1A18-11PSA206](#) [CT1N36-5SC](#) [CT2-16S-17PS](#) [CT2-20-15PCAU](#) [CT2-24-12PS](#) [CT2-24-28PSF127A206](#) [CT2-32-9PC](#) [CT6F9767-14-4-](#)  
[14S-5PC](#) [CT6FA10SL-4PS](#) [CT7-18-10SC](#) [CT7-18-10SCAU](#) [CT7-18-12SCAU](#) [CT7-18-1PC](#) [CT7-18-1PCAU](#) [CT7-18-21SCAU](#) [M83513/01-](#)  
[FC](#) [M83723/76W24619 L/C](#) [M85049/48-3-2F](#) [69001-865](#) [6STD09PCM99B70X](#) [6STD09SCM99B30X](#) [6STD09SCT99S40X](#)