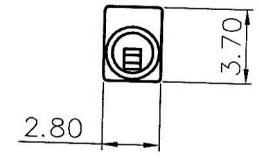
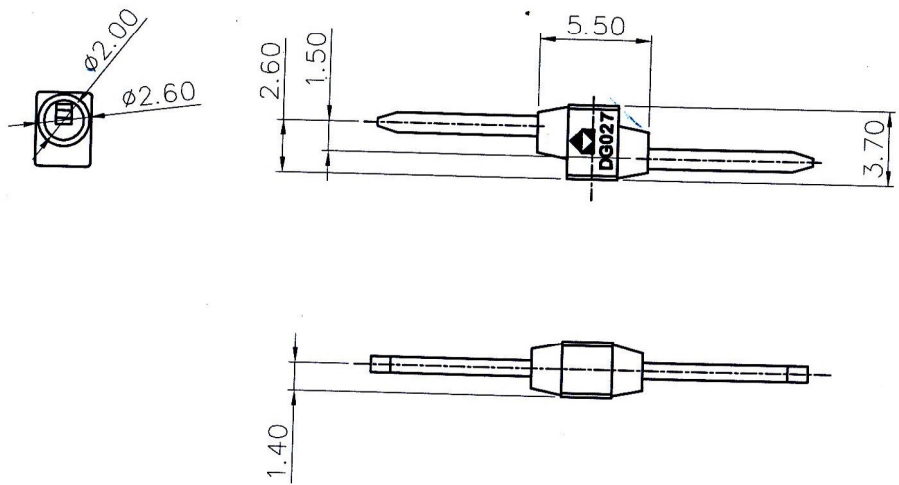
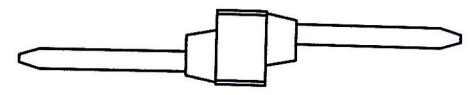


REVISION RECORD				
REV	ECN	DESCRIPTION	DRFT	DATE



01P



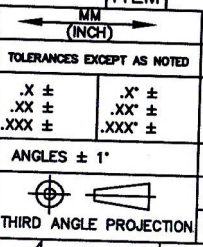
- NOTES:
- 1.DIMENSION SHALL BE INTERPRETED PER ASME Y14.5-2009.
  - 2.PITCH: 4.0MM ,POLES: N=1~3P
  - 3.RATED VOLTAGE/CURRENT:  
UL1977 600V/9A(01P)、250V/9A(02P/03P)  
IEC 160V/9A
  - 4.OPERATION TEMPERATURES: -40℃~+105℃
  - 5.RATED IMPULSE VOLTAGE: 2.2KV/MIN
  - 6.INSULATION RESISTANCE: 5000MΩ/DC1000V
  - 7.UNDIMENSIONED TOLERANCES:

仅供参考图  
签字: [Signature]  
11/8

PITCH RANGE IN MM			NOMINAL DIMENSION RANGE IN MM					I
TO	OVER TO	OVER TO	TO	OVER TO	OVER TO	OVER TO	C	
6	10	24	30	60	100	150		150
±0.10	±0.15	±0.25	±0.20	±0.30	±0.50	±0.70	±1.00	0.05/10

1	DG027-4.0-TERMINAL	3097B00010(H)	XX	COPPER	SN PLATED
ITEM	NAME OF PART	NO. OF PART	Q"TY	MATERIAL	NOTES
MATERIAL:		DEGSON® 宁波高正电子有限公司 DEGSON ELECTRONICS CO., LTD			
FINISH:		NAME: DG027-4.0-XXP-11-00A(H)			
PART NO.:		TITLE: ASSEMBLY DRAWING			
APPD: <i>Alan 11/08/14</i>		DRAWING NO.: DG027-E01		REV	TO-1
CHKD: <i>Xm 11/8/14</i>		DO NOT SCALE DRAWING		SCALE	N/A
DRFT: XLM 09/11/14		SHEET		1/2	

DETACHED LISTS



# X-ON Electronics

Largest Supplier of Electrical and Electronic Components

*Click to view similar products for [Lighting Connectors](#) category:*

*Click to view products by [Degson](#) manufacturer:*

Other Similar products are found below :

[21061-9](#) [293300-7](#) [2106117-2](#) [293660-5](#) [293700-2](#) [CNX\\_H03\\_NTP](#) [30-9767-BU](#) [3-21000-2](#) [3-21002-5](#) [3-21030-1](#) [ZCH-110-RGB-I](#) [503471-0290](#)  
[ES5P09K4F2](#) [CNXH02NTP](#) [ZCH-110-RGB-J](#) [192992-0057](#) [1954563-1](#) [217-3030-000](#) [217-3032-000](#) [DTS24W25-20PN-LC](#) [Y6426-201V-1927300](#)  
[2834049-3](#) [ES9S002SZZ](#) [2834049-2](#) [2-2834067-3](#) [1-293657-2](#) [2834049-1](#) [293699-2](#) [293701-3](#) [1-2213614-3](#) [2834036-1](#) [2834037-1](#) [2213614-3](#)  
[2307526-2](#) [2-2834068-3](#) [FLSC80354000](#) [FLSC80353000](#) [FLSC80502000](#) [FLSC80501000](#) [X3700WM-02HF-LPSN](#) [CNXV04NTP](#) [104128-0610](#) [1-](#)  
[2834074-2](#) [1-2834074-3](#) [1357-AC PLUG W2C \(CHINA\)](#) [1357-AC PLUG W2 \(USA\)](#) [104505-8003 \(Loose Piece\)](#) [104539-8002 \(Loose Piece\)](#)  
[104539-8102 \(Loose Piece\)](#) [104266-0110](#)