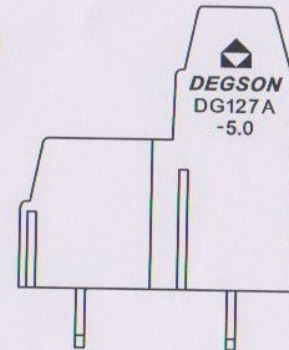
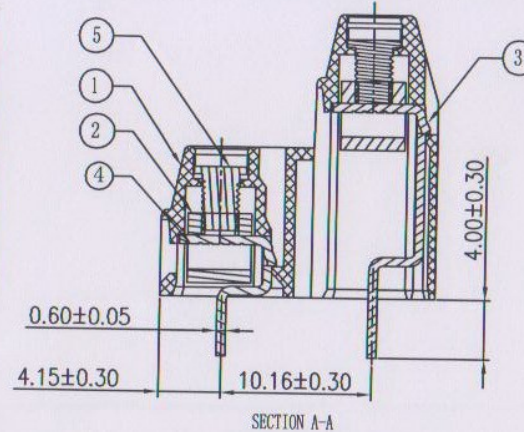


Notes:

1. Pitch:5.0mm , Poles:4-XXP
2. Rated voltage/current:UL 300V/12A
VDE 250V/15A
3. Operation temperatures:-40°C~+105°C
4. Withstanding Voltage:AC2000V/1Min
5. Insulation Resistance:5000MΩ/DC1000V
6. Wire Range:26-14AWG, 0.5-1.5mm²
7. Max. Torque Value:M2.5, 4.08kgf.cm
8. Undimensioned Tolerances:

REVISION RECORD				
REV	ECO	DESCRIPTION	DRFT	DATE

Pitch range in mm		Nominal dimension range in mm						—
to	over	over	over	over	over	over	C D	
6	6	10	30	60	100	150		
6	10	24	30	60	100	150	□	
±0.10	±0.15	±0.25	±0.2	±0.3	±0.5	±0.7	±1.0	0.05/10



3	DG127A-5.08-PIN	4107B00010 (H)	XX/2	BRASS	SnCe plated
2	DG127 Cage	X000000170 (H)	XX	Brass	Ni plated
1	DG127A-5.0-Housing	4106A0YXXA (H)	1	PA66	UL94V-0
ITEM	NAME OF PART	NO. OF PART	Q'TY	MATERIAL	NOTES

MM (INCH)	DFTD YJZ	DATE 09/12/13
TOLERANCES EXCEPT AS NOTED	CHKD	DATE
	MFO	DATE
	APPLV	DATE
MATERIAL :	G.E :	
FINISH :		
SCALE : 1:1		

DEGSON 宁波高正电子有限公司
DEGSON ELECTRONICS CO., LTD

NAME
DG127A-5.0-08P-14-00A(H)

DRAWING NO. DG127A-5.0-E01
/PART NO.

DO NOT SCALE DRAWING

SIZE A3
REV TO 09/12/13

SHEET 1 OF 1

5	DG127 "—"Screws	S000001450 (H)	XX	Steel	Cr ³⁺ Zn
4	DG127-5.08-PIN	4028B00010 (H)	XX/2	COPPER	SnCe plated

X-ON Electronics

Largest Supplier of Electrical and Electronic Components

Click to view similar products for [Pluggable Terminal Blocks](#) category:

Click to view products by [Degson](#) manufacturer:

Other Similar products are found below :

[57.404.7553](#) [57.504.0053.7](#) [57.510.0053](#) [57.910.6153](#) [01.112.1453](#) [CTB932VE/6](#) [MC 1.5/ 6-ST-3.5 GY AU](#) [ET02015000J0G](#) [734-104](#) [734-304](#) [8-141-P](#) [860505](#) [860516](#) [860810](#) [861908](#) [8726](#) [GBPACX-12](#) [93.731.4953.0](#) [PV05-5,08-K](#) [PVP02-5,00](#) [PVP04-3,50](#) [PVS02-5,00](#) [1-1986160-3](#) [H-10](#) [EC350V-05P](#) [ECH350V-06P](#) [EK381V4L-04P](#) [ELFH09150](#) [ELFH16150](#) [ELFP03110](#) [ELFP10210](#) [ELFT06250](#) [ELFT07250](#) [ELVF09400](#) [ELVP03100](#) [ELXH071G0E](#) [ELXP041G0](#) [ELXT046G0](#) [1700101](#) [1700410](#) [1700425](#) [1703176](#) [1703243](#) [1703634](#) [1705229](#) [1710175](#) [1714537](#) [1719600](#) [1729386](#) [1734692](#)