

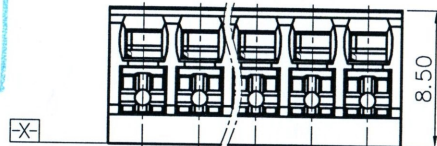
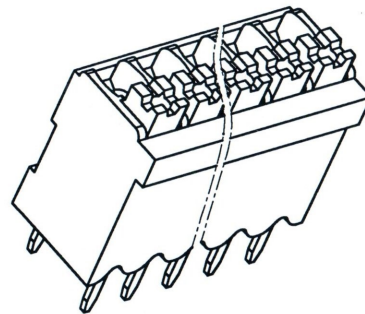
仅供参考图

签字:

日期: 7/15

REVISION RECORD

REV	ECN	DESCRIPTION	DRFT	DATE

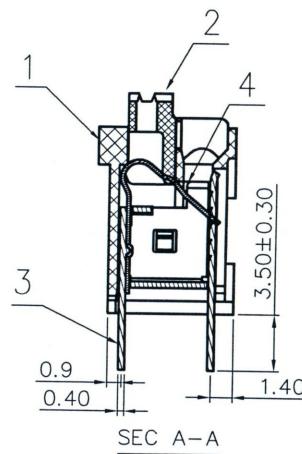
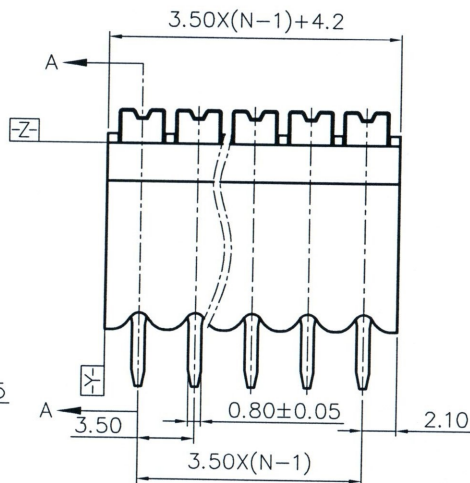
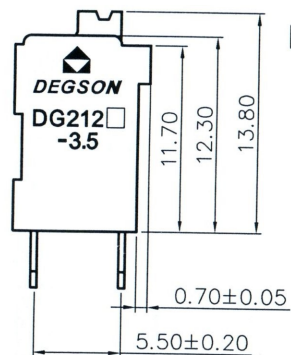


NOTES:

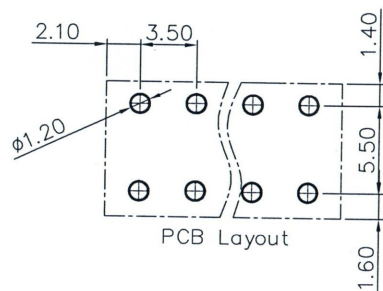
- 1.DIMENSION SHALL BE INTERPRETED PER ASME Y14.5-2009.
- 2.PITCH: 3.5 ,POLES: N=2-24P
- 3.UL1059: 300V/12A
- 4.IEC:

POLLUTION DEGREE	2	2	3
OVERVOLTAGE CATEGORY	II	III	III
RATED IMPULSE VOLTAGE(KV)	2.5KV	2.5KV	2.5KV
RATED VOLTAGE(V)	320V	160V	160V
RATED CURRENT(A)	17.5A	17.5A	17.5A

- 5.LOWER LIMIT TEMPERATURE: -40°C
- 6.UPPER LIMIT TEMPERATURE: +105°C
- 7.WIRE RANGE: 24AWG~16AWG,0.2MM²~1.5MM²
- 8.STRIPPING LENGTH: 8MM
- 9.UNDIMENSIONED TOLERANCES:



PITCH RANGE IN MM		NOMINAL DIMENSION RANGE IN MM						-
TO 6	OVER 6 TO 10	OVER 10 TO 24	TO 30	OVER 30 TO 60	OVER 60 TO 100	OVER 100 TO 150	OVER 150	∩
±0.10	±0.15	±0.25	±0.20	±0.30	±0.50	±0.70	±1.00	□



ITEM	DESCRIPTION	QTY	PART NO.	FINISH	MATERIAL
4	15EDGKN-3.5-1000A-SPRING	X000006130(H)	XX	Stainless steel	
3	DG212V-Pin Header	3134B00060(H)	XX	Brass	Sn-PLATED
2	15EDGKN-3.5-1000A-KEY	1103DYY01D(H)	XX	PA66	UL94V-0

1	DG212-THR-3.5-Housing	3134AYYXXA(H)	1	LCP	UL94V-0
---	-----------------------	---------------	---	-----	---------

ITEM	NAME OF PART	NO. OF PART	Q"TY	MATERIAL	NOTES
1	DG212-THR-3.5-Housing	3134AYYXXA(H)	1	LCP	UL94V-0
<p>DEGSON 宁波高正电子有限公司 DEGSON ELECTRONICS CO., LTD</p>					
<p>FINISH:</p> <p>PART NO.:</p>		<p>NAME: DG212V-THR-3.5-XXP-1Y-00A(H)</p>			
<p>APPD: Aaron 7/15</p> <p>CHKD: Perry 7/15</p>		<p>TITLE: ASSEMBLY DRAWING</p> <p>DRAWING NO.: DG212V-THR-3.5-E01</p>		REV	TO-1
<p>THIRD ANGLE PROJECTION</p>		DRFT: RDM	DATE: 06/09/15	DO NOT SCALE DRAWING	SHEET 1/1

X-ON Electronics

Largest Supplier of Electrical and Electronic Components

Click to view similar products for [Pluggable Terminal Blocks](#) category:

Click to view products by [Degson](#) manufacturer:

Other Similar products are found below :

[57.404.7553](#) [57.504.0053.7](#) [57.510.0053](#) [57.910.6153](#) [01.112.1453](#) [CTB932VE/6](#) [MC 1.5/ 6-ST-3.5 GY AU](#) [ET02015000J0G](#) [734-104](#) [734-304](#) [8-141-P](#) [860505](#) [860516](#) [860810](#) [861908](#) [8726](#) [GBPACX-12](#) [93.731.4953.0](#) [PV05-5,08-K](#) [PVP02-5,00](#) [PVP04-3,50](#) [PVS02-5,00](#) [1-1986160-3](#) [H-10](#) [EC350V-05P](#) [ECH350V-06P](#) [EK381V4L-04P](#) [ELFH09150](#) [ELFH16150](#) [ELFP03110](#) [ELFP10210](#) [ELFT06250](#) [ELFT07250](#) [ELVF09400](#) [ELVP03100](#) [ELXH071G0E](#) [ELXP041G0](#) [ELXT046G0](#) [1700101](#) [1700410](#) [1700425](#) [1703176](#) [1703243](#) [1703634](#) [1705229](#) [1710175](#) [1714537](#) [1719600](#) [1729386](#) [1734692](#)