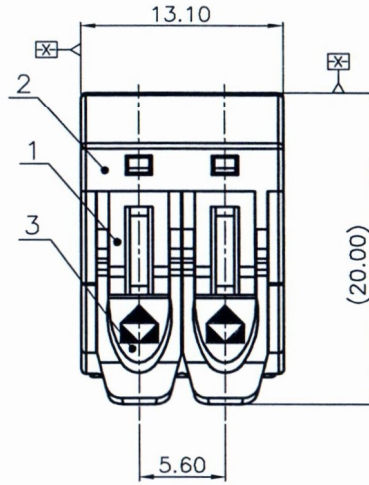
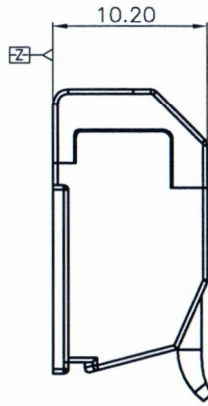
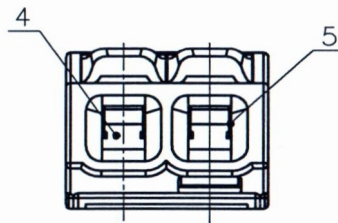


REVISION RECORD

REV	ECN	DESCRIPTION	DRFT	DATE
00-2	/	Outlook amendment	WW	2018.05.25
00-3	/	Revised drawings	WW	2018.07.06



DG221 - 5.6 - 02P - 1Y - 00A (H)
 (Series No.) (Pitch) (Poles) (Single Pitch) (Color): 1.(Grey) 2.(Blue) 3.(Black)
 4.(Green) 5.(Orange) 6.(Red) 7.(Transparent) 8.(Yellow) 9.(White)
 (RoHS)
 -00A-(Standard)



NOTES1:

UL Standard

- 1.Rated voltage/current : 300V/20A
- 2.Wire range : 24~12AWG

IEC Standard

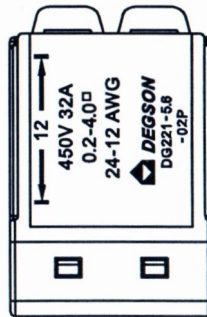
- 1.Rated voltage/current : 450V / 32A
- 2.Wire range : 0.2~4.0mm²

NOTES2:

- 1.Dimension shall be interpreted per ASME Y14.5-2009
- 2.Pitch : 5.6mm, Poles : 02P
- 3.Stripping length : 12mm
- 4.Withstanding voltage : AC2500V/1Min
- 5.Operating temperature: -40°C~+85°C
- 6.Undimensioned tolerances:

Pitch range in mm		Nominal dimension range in mm					-	∩	∇
TO	TO	TO	TO	TO	TO	TO	TO	TO	
6	10	24	30	60	100	150	0.1/10		
±0.15	±0.20	±0.30	±0.30	±0.50	±0.70	±1.00	±1.30	±2'	

7.RoHS Compliance



仅供參考圖
 签字: 蓝贵A
 日期: 2018.07.06

ITEM	NAME OF PART	MATERIAL	NOTES
5	Current carrier	Copper alloy	Sn Plated
4	Spring	Stainless steel	
3	Button	PA66+GF	UL94V-0
2	Cover	PC	UL94V-2
1	Housing	PC	UL94V-2

DETACHED LISTS	PART NO.: /	宁波高松电子有限公司 NINGBO DEGSON ELECTRICAL CO., LTD		
	APPD: Alan 2018.07.06	NAME: DG221-5.6-02P-1Y-00A(H)		
	CHKD:	TITLE: CUSTOMER DRAWING		
	DRFT: WW 2018.04.18	REV: D0-3	SHEET: 1/1	
THIRD ANGLE PROJECTION		DRAWING NO.: DG221-5.6-02P-C01	SCALE: 1:1	DO NOT SCALE DRAWING

X-ON Electronics

Largest Supplier of Electrical and Electronic Components

Click to view similar products for [Terminals](#) category:

Click to view products by [Degson](#) manufacturer:

Other Similar products are found below :

[HT-13-10](#) [71M-250-32-NB](#) [5909800000](#) [01-2065-1-0216](#) [0190420006](#) [00581P0075](#) [M10-10RX](#) [M10BCK](#) [60205-1](#) [604200-1](#) [60598-1-](#)
[CUT-TAPE](#) [60617-1-C](#) [60873-1](#) [M14-516R/SK](#) [M14-6RSX](#) [M18-8FBX](#) [M18BCK](#) [61314-6-C](#) [61987-1](#) [61-S](#) [61-SN](#) [61-SN-A](#) [62149-1](#) [62-](#)
[NBM-A](#) [62-SN](#) [62-SP](#) [63-S](#) [640179-1](#) [640917-2-CUT-TAPE](#) [6501550002](#) [66107-2-C](#) [66107-4-C](#) [696683-1](#) [696834-1](#) [696861-1](#) [696931-1](#)
[696999-1](#) [M8-516RK](#) [M86700006](#) [MA250DMFMX-A](#) [701-2007](#) [701-7761-03](#) [70F-110-32-PB](#) [718-N-A](#) [71M-187-20-NBL](#) [71M-250-32-](#)
[NBL](#) [72F-187-20-NBL](#) [72M-250-32-NBL](#) [7310](#) [73F-250-32](#)