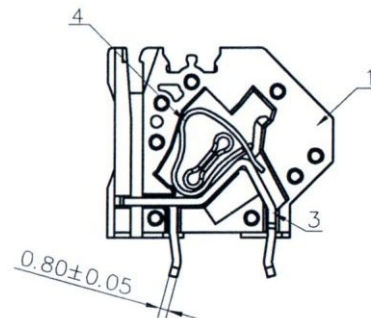
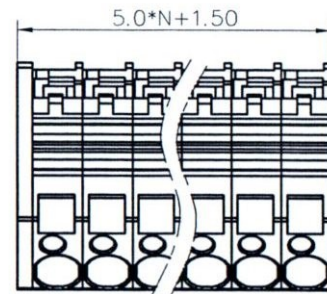
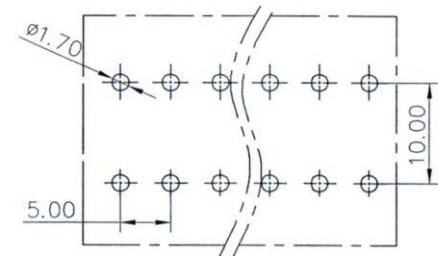
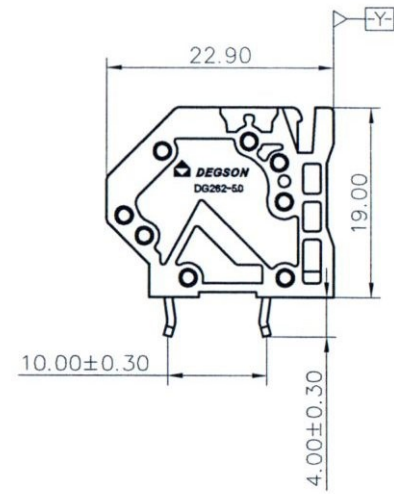
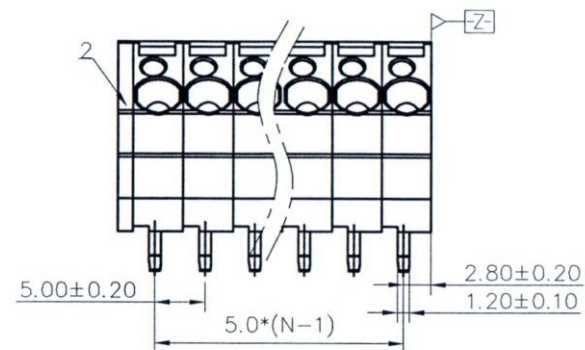
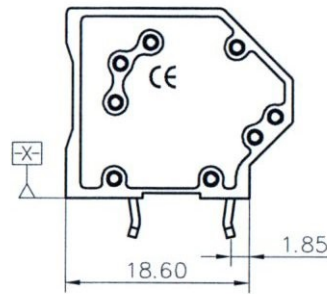


REVISION RECORD				
REV	ECN	DESCRIPTION	DRFT	DATE

仅供参考图
 签字: [Signature]
 日期: 3/28/15



W/O COVER VIEW



PCB LAYOUT

NOTES1:

- UL Standard
- 1. Rated Voltage/Current : 300V / 20A
- 2. Withstanding Voltage : AC1600V/1Min.
- 3. Wire Range : 28~12AWG

IEC Standard

1. Pollution Degree	2	2	3
	II	III	III
Rate Impulse Voltage(KV)	4.0KV	4.0KV	4.0KV
Rate Voltage(V)	630V	320V	320V
Rate Current(A)	32A		

2. Wire Range : 0.2~4mm²

NOTES2:

- 1. Dimension shall be interpreted per ASME Y14.5-2009
- 2. Pitch : 5.0mm, Poles : XXP
- 3. Stripping length : 8-9mm
- 4. Operating temperature: -40°C~+105°C
- 6. Undimensioned Tolerances:

Pitch Range in mm	Nominal Dimension Range in mm							0.1/10 <	
	Over 6 TO 10	Over 10 TO 24	Over 30 TO 30	Over 60 TO 60	Over 100 TO 100	Over 150 TO 150	Over 150 TO 150		
	±0.15	±0.20	±0.30	±0.30	±0.50	±0.70	±1.00	±1.30	±2'

7. RoHS Compliance

ITEM	NAME OF PART	MATERIAL	NOTES
4	SPRING	STAINLESS STEEL	
3	HEADER	Copper Alloy	Sn-PLATED
2	COVER	PA66	UL94V-0
1	HOUSING	PA66	UL94V-0

DETACHED LISTS	PART NO.: /	宁波高松电子有限公司 DEGSON ® NINGBO DEGSON ELECTRICAL CO., LTD		
	APPD: Aaron 3/28/15	NAME: DG262-5.0-XXP-1Y-00A(H)		
	CHKD: Penny 3/26/15	TITLE: CUSTOMER DRAWING		
	DRFT: WWF 04/03/15"	REV: D0-1	SHEET: 1/1	
THIRD ANGLE PROJECTION		DRAWING NO.: DG262-5.0-C01		SCALE: 1:1
		DO NOT SCALE DRAWING		

X-ON Electronics

Largest Supplier of Electrical and Electronic Components

Click to view similar products for [Pluggable Terminal Blocks](#) category:

Click to view products by [Degson](#) manufacturer:

Other Similar products are found below :

[57.404.7553](#) [57.504.0053.7](#) [57.510.0053](#) [57.910.6153](#) [01.112.1453](#) [CTB932VE/6](#) [MC 1.5/ 6-ST-3.5 GY AU](#) [ET02015000J0G](#) [734-104](#) [734-304](#) [8-141-P](#) [860505](#) [860516](#) [860810](#) [861908](#) [8726](#) [GBPACX-12](#) [93.731.4953.0](#) [PV05-5,08-K](#) [PVP02-5,00](#) [PVP04-3,50](#) [PVS02-5,00](#) [1-1986160-3](#) [H-10](#) [EC350V-05P](#) [ECH350V-06P](#) [EK381V4L-04P](#) [ELFH09150](#) [ELFH16150](#) [ELFP03110](#) [ELFP10210](#) [ELFT06250](#) [ELFT07250](#) [ELVF09400](#) [ELVP03100](#) [ELXH071G0E](#) [ELXP041G0](#) [ELXT046G0](#) [1700101](#) [1700410](#) [1700425](#) [1703176](#) [1703243](#) [1703634](#) [1705229](#) [1710175](#) [1714537](#) [1719600](#) [1729386](#) [1734692](#)