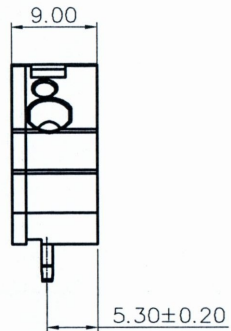
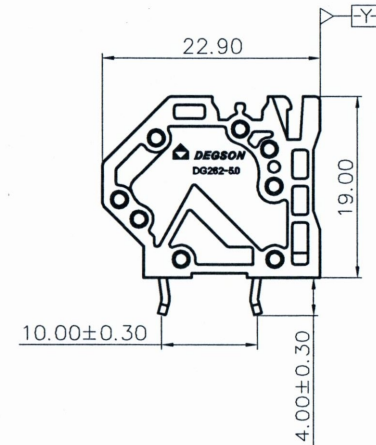
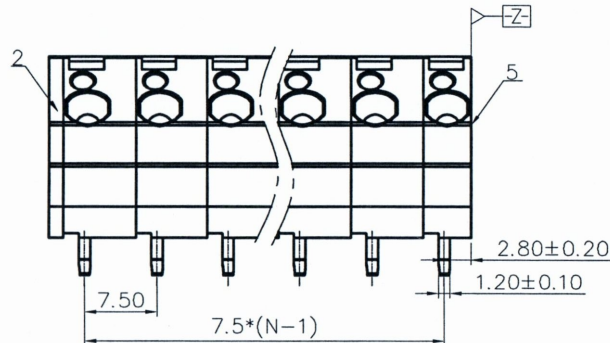
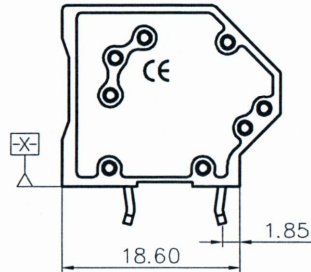
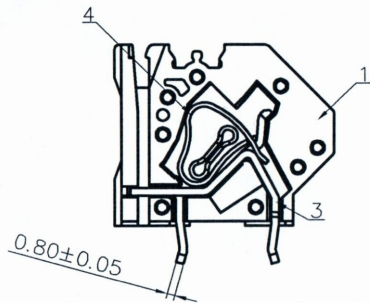
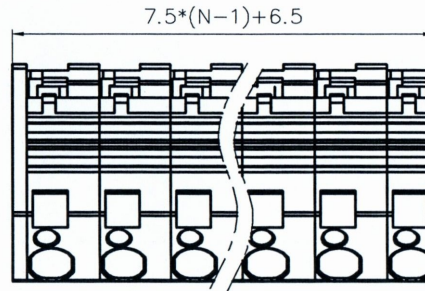


REVISION RECORD

| REV | ECN | DESCRIPTION | DRFT | DATE |
|-----|-----|-------------|------|------|
| | | | | |



01P



NOTES1:

UL Standard

- 1.Rated Voltage/Current : 300V / 20A
- 2.Withstanding Voltage : AC1600V/1Min.
- 3.Wire Range : 28~12AWG

IEC Standard

| 1. Pollution Degree | 2 | 2 | 3 |
|--------------------------|-------|-------|-------|
| Overvoltage Category | II | III | III |
| Rate Impulse Voltage(KV) | 6.0KV | 6.0KV | 6.0KV |
| Rate Voltage(V) | 1000V | 630V | 500V |
| Rate Current(A) | 32A | | |

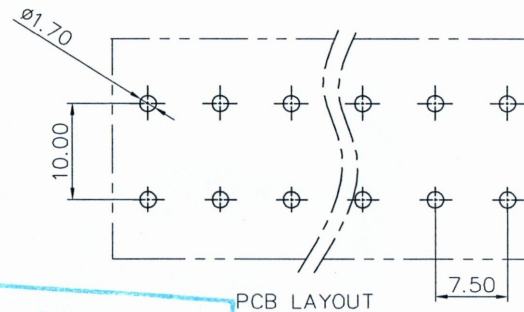
2.Wire Range : 0.2~4mm²

NOTES2:

- 1.Dimension shall be interpreted per ASME Y14.5-2009
- 2.Pitch : 5.0mm, Poles : 01P~XXP
- 3.Stripping length : 8-9mm
- 4.Operating temperature: -40°C~+105°C
- 6.Undimensioned Tolerances:

| Pitch Range In mm | | Nominal Dimension Range In mm | | | | | | | 0.1/10 |
|-------------------|------|-------------------------------|------|-----|-------|-------|-------|-------|--------|
| TO | Over | TO | Over | TO | Over | TO | Over | | |
| 6 | 10 | 30 | 60 | 100 | 150 | ±0.15 | ±0.20 | ±0.30 | |
| 10 | 24 | 60 | 100 | 150 | ±0.30 | ±0.50 | ±0.70 | ±1.00 | |
| | | | | | | ±1.30 | | ±2' | |

7.RoHS Compliance



PCB LAYOUT

仅供参考图
 签字: [Signature]
 日期: 4/13/16

| ITEM | NAME OF PART | MATERIAL | NOTES |
|------|--------------|-----------------|-----------|
| 5 | HOUSING | PA66 | UL94V-0 |
| 4 | SPRING | STAINLESS STEEL | |
| 3 | HEADER | Copper | Sn-PLATED |
| 2 | COVER | PA66 | UL94V-0 |
| 1 | HOUSING | PA66 | UL94V-0 |

| | | | |
|----------------------------|--|---|-----|
| PART NO.: / | | 宁波高松电子有限公司 | |
| APPD: Aaron 4/13/16 | | DEGSON [®] NINGBO DEGSON ELECTRICAL CO., LTD | |
| CHKD: Penny 4/13/16 | | NAME: DG262-7.5-XXP-1Y-00A(H) | |
| DRFT: WWF 04/03/15 | | TITLE: CUSTOMER DRAWING | |
| THIRD ANGLE PROJECTION | | REV | TO |
| DRAWING NO.: DG262-7.5-C01 | | SHEET | 1/1 |
| MM (INCH) | | SCALE | 1:1 |

DETACHED LISTS

X-ON Electronics

Largest Supplier of Electrical and Electronic Components

Click to view similar products for [Pluggable Terminal Blocks](#) category:

Click to view products by [Degson](#) manufacturer:

Other Similar products are found below :

[57.404.7553](#) [57.504.0053.7](#) [57.510.0053](#) [57.910.6153](#) [01.112.1453](#) [CTB932VE/6](#) [MC 1.5/ 6-ST-3.5 GY AU](#) [ET02015000J0G](#) [734-104](#) [734-304](#) [8-141-P](#) [860505](#) [860516](#) [860810](#) [861908](#) [8726](#) [GBPACX-12](#) [93.731.4953.0](#) [PV05-5,08-K](#) [PVP02-5,00](#) [PVP04-3,50](#) [PVS02-5,00](#) [1-1986160-3](#) [H-10](#) [EC350V-05P](#) [ECH350V-06P](#) [EK381V4L-04P](#) [ELFH09150](#) [ELFH16150](#) [ELFP03110](#) [ELFP10210](#) [ELFT06250](#) [ELFT07250](#) [ELVF09400](#) [ELVP03100](#) [ELXH071G0E](#) [ELXP041G0](#) [ELXT046G0](#) [1700101](#) [1700410](#) [1700425](#) [1703176](#) [1703243](#) [1703634](#) [1705229](#) [1710175](#) [1714537](#) [1719600](#) [1729386](#) [1734692](#)