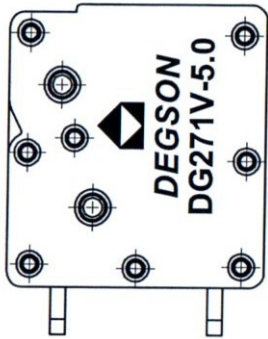
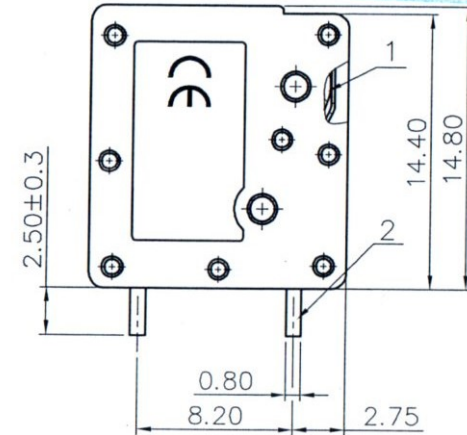
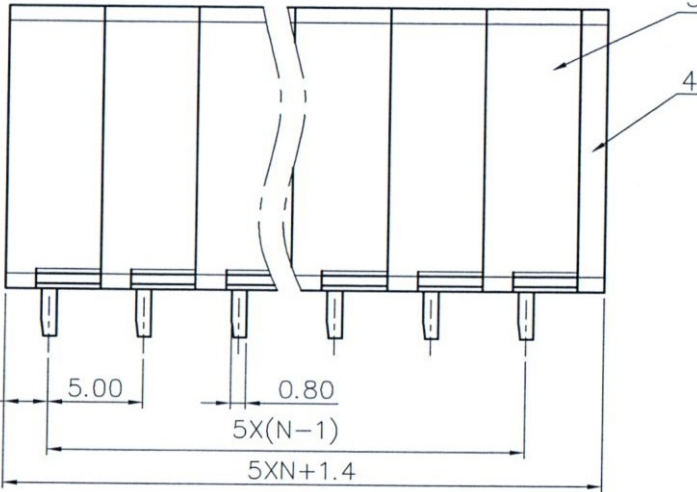
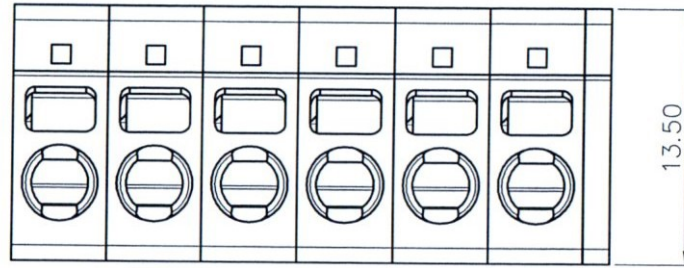


REVISION RECORD

REV	ECN	DESCRIPTION	DRFT	DATE
-----	-----	-------------	------	------

仅供参考图

签字: [Signature]  
日期: 3/28/16



NOTES1:

UL Standard

1. Rated Voltage/Current : 300V / 20A
2. Withstanding Voltage : AC1600V/1Min.
3. Wire Range : 24~12AWG

IEC Standard

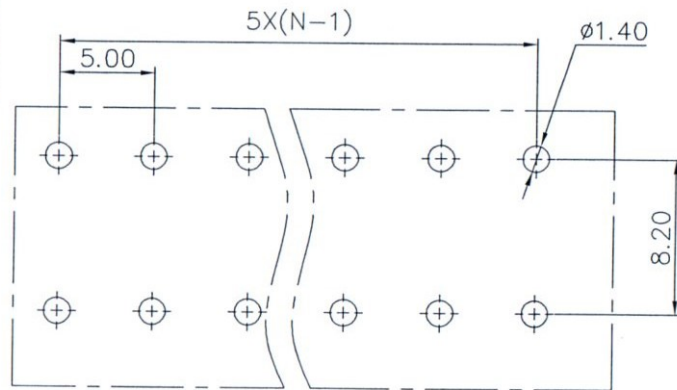
1. Pollution Degree	2	2	3
Overvoltage Category	II	III	III
Rate Impulse Voltage(KV)	4.0KV	4.0KV	4.0KV
Rate Voltage(V)	630V	400V	250V
Rate Current(A)	24A		

2. Wire Range : 0.2~4.0mm<sup>2</sup>(SOL)  
0.2~2.5mm<sup>2</sup>(STR)

NOTES2:

1. Dimension shall be interpreted per ASME Y14.5-2009
2. Pitch : 5.0mm, Poles : N=01~24P
3. Stripping length : 10mm
4. Operating temperature: -40°C~+105°C
5. Undimensioned Tolerances:

Pitch Range In mm		Nominal Dimension Range In mm				0.1/10	
TO	Over	TO	Over	TO	Over		
6	6	10	10	30	30	±2'	
10	10	24	30	60	100		
10	10	24	30	60	150		
±0.15	±0.20	±0.30	±0.30	±0.50	±0.70	±1.00	±1.30



PCB LAYOUT

6. RoHS Compliance

ITEM	NAME OF PART	MATERIAL	NOTES
4	COVER	PA66	UL94V-0
3	HOUSING	PA66	UL94V-0
2	PIN HEADER	COPPER	SN PLATED
1	SPRING	STAINLESS STEEL	

DETAILED LISTS	PART NO.:	宁波高松电子有限公司		
	APPD:	DEGSON <sup>®</sup> NINGBO DEGSON ELECTRICAL CO., LTD		
	CHKD:	DG271V-5.0-XXP-1Y-00A(H)		
	DRFT:	MEK 02/26/16"		
	TITLE: CUSTOMER DRAWING	REV	DO-1	
	DRAWING NO.: DG271V-5.0-C01	SHEET	1/1	
	MM (INCH)	DO NOT SCALE DRAWING	SCALE 1:1	

THIRD ANGLE PROJECTION

H  
G  
F  
E  
D  
C  
B  
A

H  
G  
F  
E  
D  
C  
B  
A

## X-ON Electronics

Largest Supplier of Electrical and Electronic Components

*Click to view similar products for [Pluggable Terminal Blocks](#) category:*

*Click to view products by [Degson](#) manufacturer:*

Other Similar products are found below :

[57.404.7553](#) [57.504.0053.7](#) [57.510.0053](#) [57.910.6153](#) [01.112.1453](#) [CTB932VE/6](#) [MC 1.5/ 6-ST-3.5 GY AU](#) [ET02015000J0G](#) [734-104](#) [734-304](#) [8-141-P](#) [860505](#) [860516](#) [860810](#) [861908](#) [8726](#) [GBPACX-12](#) [93.731.4953.0](#) [PV05-5,08-K](#) [PVP02-5,00](#) [PVP04-3,50](#) [PVS02-5,00](#) [1-1986160-3](#) [H-10](#) [EC350V-05P](#) [ECH350V-06P](#) [EK381V4L-04P](#) [ELFH09150](#) [ELFH16150](#) [ELFP03110](#) [ELFP10210](#) [ELFT06250](#) [ELFT07250](#) [ELVF09400](#) [ELVP03100](#) [ELXH071G0E](#) [ELXP041G0](#) [ELXT046G0](#) [1700101](#) [1700410](#) [1700425](#) [1703176](#) [1703243](#) [1703634](#) [1705229](#) [1710175](#) [1714537](#) [1719600](#) [1729386](#) [1734692](#)