



Important notes about Classic Panel Mount Indicator Catalog Pages

SCROLL DOWN TO VIEW CATALOG PAGE

This catalog page is out-of-print and is used with the understanding that the information shown could be out-of-date. In many cases, part numbers shown on this page are discontinued. Most notably, many “Complete Assembly” parts, which consist of a cap and a base, can no longer be ordered by the 14-digit ordering code. To obtain these parts, please order the cap and base part numbers separately. This process provides the components contained with the original “Complete Assembly” part number.

All Dialight Classic Panel Mount Indicators need a leading 3-digit numerical series. In some cases, this catalog will show a 2-digit series. In this case, please add a leading zero. For example, 81-0211-300 becomes 081-0211-300.

Part numbers listed on Dialight catalog pages designate parts with Red lenses. For ordering lens colors other than red, consult the chart below. In most cases, the color is dictated by the 7th digit. For example, 095-0932-003 for a green cap.

Lens Colors	
1 - Red	5 - White
2 - Green	6 - Light Yellow
3 - Yellow	7 - Clear
4 - Blue	

[Click here for a cross reference guide to assembly part numbers.](#)

[Click here to view Frequently Asked Questions concerning Panel Mount Indicators.](#)

SCROLL DOWN TO VIEW CATALOG PAGE

Incandescent Indicators

TWO TERMINALS – FULLY INSULATED

MEET OR EXCEED ENVIRONMENTAL AND OPERATIONAL REQUIREMENTS
OF MIL-L-6723 AND MIL-L-3661B



T-1 3/4
MIDGET
FLANGE BASE

See lamp ratings
on page J.

101 SERIES
108 SERIES
109 SERIES
111 SERIES
112 SERIES
134 SERIES
140 SERIES

For materials and finishes of products
in this group, see preceding page.

Features

- Available for mounting FRONT or BACK of panel in 15/32" or 1/2" clearance hole; also from FRONT of panel in 15/32" or 17/32" clearance hole.
- Rugged-phenolic insulated: The socket, lamp and all connections are well insulated from the mounting bushing by means of phenolic material of military specification grade.
- Lens cap assembly unscrews from front of panel for easy replacement of the lamp. Indicators on Pages 10C – 11C have friction-fit lens caps which are also easily removed from front of panel.
- Two terminals (soldering) are provided for electrical connections.

COLORED LEGENDS

134 SERIES FLAT LENS ONLY



Colored Legends on black or gray lenses: Legends can also be furnished in "negative" or "reverse" style. That is, the legend is illuminated in white or other color while the background remains opaque black or gray. To specify black or gray lens, change the first two digits of the code block preceding the last dash in the catalog number. To obtain black lens, use "57"; to obtain gray lens, use "58".
Examples: 134-3830-5752-201 (black);
134-5030-5875-201 (gray)

- Specify translucent colors as follows: Red-0351...Green-0352...
Yellow (amber)-0373...Blue-0374...White-0375...Light Yellow-0376

How to designate the Three Digit Part Number Suffix (-XXX)

Finish	Resistor	Hardware
1 - white nickel	0 - none	1 - brass
2 - black nickel		3 - water tight on face of panel
3 - polished chrome		

Example: 101-3830-0931-201 (Black nickel finish, no resistor, brass hardware)
101-3830-0931-203 (same, water tight)

Lens Colors

1-Red	5-White translucent
2-Green*	6-Light yellow
3-Yellow (amber)	7-Clear colorless
4-Blue*	

*Not recommended with Neon Glow Lamps.

The digit before the last dash in the part number designates the lens color. When color other than red is desired, change this digit to a figure noted above. Example: 101-5030-0936-201

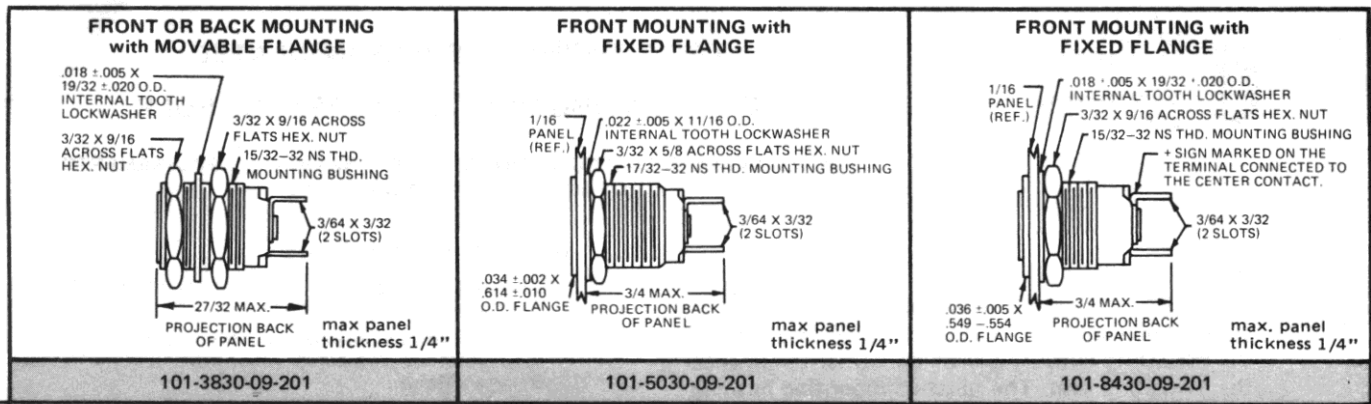
Part numbers listed in this catalog designate products with RED lens.
For ordering lens colors other than red, consult chart above.

Order complete with lamp to be assured of receiving the indicator light and correct lamp together for immediate use.

Part numbers shown in gray are normally in inventory at your Dialight Distributor.

BASE PART NUMBERS

CAP PART NUMBERS	
	STOVEPIPE 101-0931 transparent 101-0971 translucent
	CYLINDRICAL 140-1431 transparent 140-1471 translucent
For legends on flat faced lens, see page P.	
	FACETED 134-2131-200 unfrosted
	CONVEX 134-0131-200 unfrosted 134-0111-200 back frosted
	ROTATABLE LENS FLAT 134-0331-200 transparent 134-0351-200 translucent
For legends on flat faced lens, see page P.	
	NON-DIMMING TYPES CONVEX 111-0131-200 unfrosted 111-0111-200 back frosted
	DIMMER TYPES CONVEX Complete Blackout 108-0131-200 unfrosted 108-0111-200 back frosted Semi-Blackout 109-0131-200 unfrosted 109-0111-200 back frosted Polaroid 112-0131-200 unfrosted 112-0111-200 back frosted



COMPLETE ASSEMBLY PART NUMBERS

<p>101-3830-0931-201 101-3830-0971-201</p>	<p>101-5030-0931-201 101-5030-0971-201</p>	<p>101-8430-0931-201 101-8430-0971-201</p>
<p>140-3830-1431-201 140-3830-1471-201</p>	<p>140-5030-1431-201 140-5030-1471-201</p>	<p>140-8430-1431-201 140-8430-1471-201</p>
<p>134-3830-2131-201</p> <p>134-3830-0131-201 134-3830-0111-201</p> <p>134-3830-0331-201 ■ 134-3830-0351-201</p>	<p>134-5030-2131-201</p> <p>134-5030-0131-201 134-5030-0111-201</p> <p>134-5030-0331-201 ■ 134-5030-0351-201</p>	<p>134-8430-2131-201</p> <p>134-8430-0131-201 134-8430-0111-201</p> <p>134-8430-0331-201 ■ 134-8430-0351-201</p>
<p>111-3830-0131-201 111-3830-0111-201</p>	<p>111-5030-0131-201 111-5030-0111-201</p>	<p>111-8430-0131-201 111-8430-0111-201</p>
<p>108-3830-0131-201 108-3830-0111-201</p> <p>109-3830-0131-201 109-3830-0111-201</p> <p>112-3830-0131-201 112-3830-0111-201</p>	<p>108-5030-0131-201 108-5030-0111-201</p> <p>109-5030-0131-201 109-5030-0111-201</p> <p>112-5030-0131-201 112-5030-0111-201</p>	<p>108-8430-0131-201 108-8430-0111-201</p> <p>109-8430-0131-201 109-8430-0111-201</p> <p>112-8430-0131-201 112-8430-0111-201</p>

X-ON Electronics

Largest Supplier of Electrical and Electronic Components

Click to view similar products for [Lamp Lenses](#) category:

Click to view products by [Dialight](#) manufacturer:

Other Similar products are found below :

[D38999/20ZA35BA](#) [D38999/20ZA98JA](#) [D38999/20ZA98SA-LC](#) [D38999/20ZC35HA](#) [D38999/20ZC98JA](#) [D38999/20ZG11AA](#)
[D38999/20ZG11HA](#) [D38999/20ZG16AA](#) [D38999/20ZG16BA](#) [D38999/20ZG16SA](#) [D38999/20ZG35HA](#) [D38999/20ZG39HA](#)
[D38999/20ZG39PA-LC](#) [D38999/20ZG41AA](#) [D38999/20ZG41PA-LC](#) [D38999/20ZG41SA](#) [801-0334-500](#) [810-0331-500](#) [812-0974](#) [140-1475-003](#) [DTS20Z21-11AA](#) [DTS20Z21-11PA-LC](#) [DTS20Z21-11SA](#) [DTS20Z21-16AA](#) [DTS20Z21-16BA](#) [DTS20Z21-16HA](#) [DTS20Z21-16JA-LC](#)
[DTS20Z21-16PA-LC](#) [DTS20Z21-16SA](#) [DTS20Z21-35AA](#) [DTS20Z21-35BA](#) [DTS20Z21-39HA](#) [DTS20Z21-39HA-LC](#) [DTS20Z21-39PA-LC](#)
[DTS20Z21-39SA](#) [DTS20Z21-39SA-LC](#) [DTS20Z21-41AA](#) [DTS20Z21-41BA](#) [DTS20Z21-41HA](#) [DTS20Z21-41HA-LC](#) [DTS20Z21-41JA](#)
[DTS20Z21-41PA-LC](#) [DTS20Z21-75BA](#) [DTS20Z21-75JA-LC](#) [DTS20Z9-35SA-LC](#) [DTS20Z9-98JA-LC](#) [DTS20Z9-98SA-LC](#) [151-2900-200](#)
[ATS675LSETN-LT-T](#) [199-5261](#)