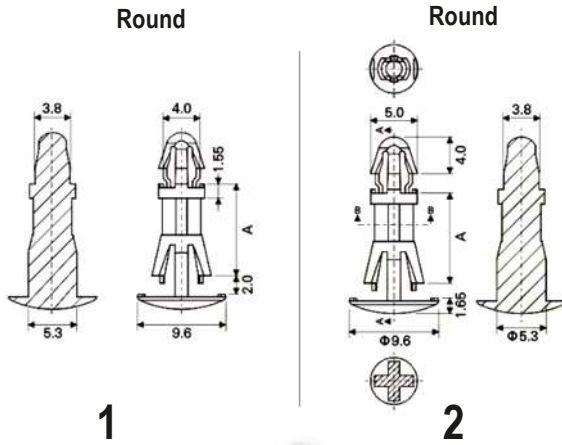


## Circuit Board Support



+ Type snap-lock  
 + Material Nylon 6/6 V2 / DMS 801  
 + Colour natural  
 + Unit mm  
 + Standard Pack 1.000 pcs

Top Hole  $4.0 \pm 0.05$  mm  
 Bottom Hole  $5.4 \pm 0.05$  mm  
 Panel Thickness 1.6 mm

Type 1

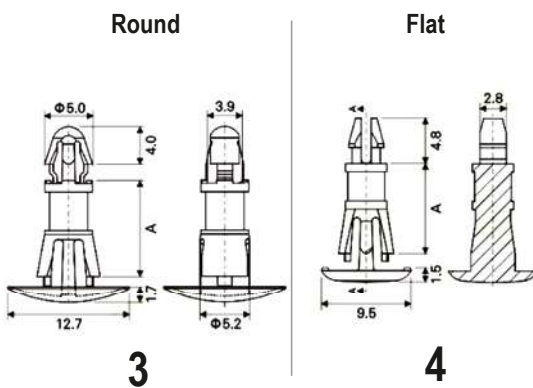
Order No.	"A" $\pm 0.4$
8G820V40578	6.0
8G820V40579	8.0
8G820V40580	10.0
8G820V40581	12.0
8G820V40582	14.0

Top Hole  $4.0 \pm 0.08$  mm  
 Panel Thickness 1.6 mm  
 Bottom Hole  $5.4 \pm 0.08$  mm  
 Panel Thickness 2.0 mm

Type 2

Order No.	"A" $\pm 0.4$
8G820V41249	6.0
8G820V41250	8.0
8G820V41251	10.0
8G820V41252	12.0
8G820V41253	14.0

## Circuit Board Support



+ Type snap-lock  
 + Material Nylon 6/6 V2 / DMS 801  
 + Colour natural  
 + Unit mm  
 + Standard Pack 1.000 pcs

Top Hole  $4.0 \pm 0.08$  mm  
 Panel Thickness 1.6 mm  
 Bottom Hole  $5.4 \pm 0.08$  mm  
 Panel Thickness 1.0 ~ 1.6 mm

Type 3

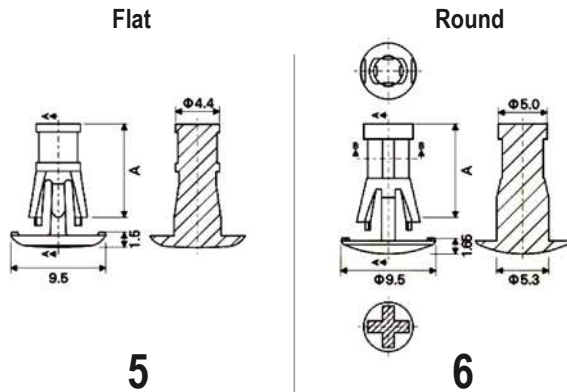
Order No.	"A" $\pm 0.4$
8G820V41225	8.0
8G820V41226	10.0
8G820V41227	12.0
8G820V41228	14.0

Top Hole  $3.18 \pm 0.05$  mm  
 Panel Thickness 1.57 mm  
 Bottom Hole  $4.75 \pm 0.05$  mm  
 Panel Thickness 1.5 ~ 1.6 mm

Type 4

Order No.	"A" $\pm 0.4$
8G820V41211	6.4
8G820V41212	7.9
8G820V41213	9.5
8G820V41214	11.1
8G820V41215	12.7
8G820V41216	14.3
8G820V41217	15.9

## Circuit Board Support



**Type** snap-lock  
**Material** Nylon 6/6 V2 / DMS 801  
**Colour** natural  
**Unit** mm  
**Standard Pack** 1.000 pcs

**Bottom Hole**  $4.75 \pm 0.05$  mm  
**Panel Thickness** 1.5 ~ 1.6 mm

**Type 5**

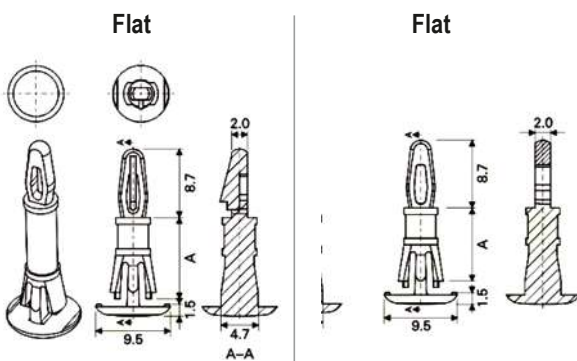
Order No.	"A" $\pm 0.4$
8G8204.75x6.4	6.4
8G8204.75x7.9	7.9
8G8204.75x9.5	9.5
8G8204.75x11.1	11.1
8G8204.75x12.7	12.7
8G8204.75x14.3	14.3
8G8204.75x15.9	15.9

**Bottom Hole**  $5.4 \pm 0.05$  mm  
**Panel Thickness** 1.6 mm

**Type 6**

Order No.	"A" $\pm 0.4$
8G8205.4x6.0	6.0
8G8205.4x8.0	8.0
8G8205.4x10.0	10.0
8G8205.4x12.0	12.0
8G8205.4x14.0	14.0

## Circuit Board Support



**Type** snap-lock  
**Material** Nylon 6/6 V2 / DMS 801  
**Colour** natural  
**Unit** mm  
**Standard Pack** 1.000 pcs

**Top Hole**  $3.18 \pm 0.05$  mm  
**Panel Thickness** 1.57 mm  
**Bottom Hole**  $4.75 \pm 0.05$  mm  
**Panel Thickness** 1.5 ~ 1.6 mm

**Type 7**

Order No.	"A" $\pm 0.4$
8G820V40618	6.4
8G820V40620	7.9
8G820V40621	9.5
8G820V40622	11.1
8G820V40623	12.7
8G820V40625	14.3
8G820V40626	15.9

**Top Hole**  $3.18 \pm 0.05$  mm  
**Panel Thickness** 1.57 mm  
**Bottom Hole**  $4.75 \pm 0.05$  mm  
**Panel Thickness** 1.5 ~ 1.6 mm

**Type 8**

Order No.	"A" $\pm 0.4$
8G820V41218	6.4
8G820V41219	7.9
8G820V41220	9.5
8G820V41221	11.1
8G820V41222	12.7
8G820V41223	14.3
8G820V41224	15.9

## Circuit Board Support

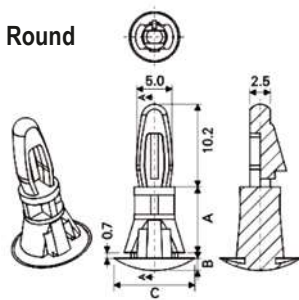
Round



Flat



**Type** snap-lock  
**Material** Nylon 6/6 V2 / DMS 801  
**Colour** natural  
**Unit** mm  
**Standard Pack** 1.000 pcs



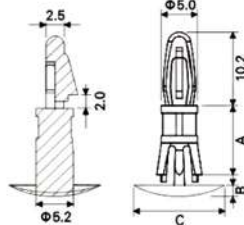
**9**

Top Hole  $4.0 \pm 0.08$  mm  
 Panel Thickness 1.56 mm  
 Bottom Hole  $6.0 \pm 0.08$  mm  
 Panel Thickness 0.8 ~ 1.2 mm

Type 9 "B" = 1.5 mm "C" = 10.0 mm

Order No.	"A" $\pm 0.4$
8G820V40893	4.8
8G820V40894	6.4
8G820V40895	9.5
8G820V40896	12.7
8G820V40897	15.9
8G820V40898	19.1

Round



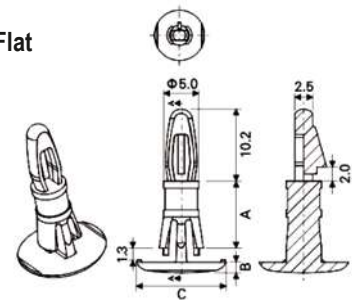
**10**

Top Hole  $4.0 \pm 0.08$  mm  
 Panel Thickness 1.56 mm  
 Bottom Hole  $5.4 \pm 0.08$  mm  
 Panel Thickness 1.2 ~ 2.0 mm

Type 10 "B" = 1.5 mm "C" = 12.7 mm

Order No.	"A" $\pm 0.4$
8G820V40889	6.4
8G820V40890	9.5
8G820V40891	12.7
8G820V40892	15.9

Flat



**11**

Top Hole  $4.0 \pm 0.08$  mm  
 Panel Thickness 1.57 mm  
 Bottom Hole  $5.4 \pm 0.08$  mm  
 Panel Thickness 1.5 ~ 1.65 mm

Type 11 "B" = 1.8 mm "C" = 12.7 mm

Order No.	"A" $\pm 0.4$
8G820V40984	6.4
8G820V40985	9.5
8G820V40986	12.7
8G820V40987	15.9

Top Hole  $4.0 \pm 0.08$  mm  
 Panel Thickness 1.57 mm  
 Bottom Hole  $6.35 \pm 0.08$  mm  
 Panel Thickness 1.5 ~ 1.65 mm

Type 11 "B" = 1.8 mm "C" = 12.7 mm

Order No.	"A" $\pm 0.4$
8G820V40988	6.4
8G820V40989	9.5
8G820V40990	12.7
8G820V40991	15.9

## X-ON Electronics

Largest Supplier of Electrical and Electronic Components

*Click to view similar products for [Electrical Enclosure Accessories](#) category:*

*Click to view products by [Dremec](#) manufacturer:*

Other Similar products are found below :

[60121-06-028 C-325 Black](#) [71884-04-028 CM3-100 Black](#) [71884-18-028 LH43-200 Black](#) [71884-24-028 LH75-200 Black](#) [71885-01-028 CM6-150 Black](#) [72459-02-028 DM-3 BLACK](#) [81501-01-000 XPL, 9VB Black](#) [82402-01 PT-8 ALUM](#) [1335GSKT3](#) [14101FP-PK](#) [CB-1263-BT](#) [1611512-4](#) [HB-11498](#) [RC-7775](#) [HM BLACK PANEL](#) [61033-01-000](#) [115123-01-508 CN-RL RS](#) [115124-01-508 CN-XRL XRS](#) [115119-01-000 CN-RL RS](#) [115123-01-000 CN-RL RS](#) [60121-04-028 C-275 Black](#) [60128-01-072](#) [60222-01-028 CM6-225 Black](#) [60272-01-028 CM3-150 Black](#) [60851-01-028 CM69-120 Black](#) [62291-502-000-KEU-10-BLK](#) [62452-01-000 HML-9VB, EB Black](#) [71884-25-028 LH89-130 Black](#) [AXX2POSTBRCKT](#) [FUPMESK](#) [71884-23-028 LH75-130 Black](#) [1317GSKTSC](#) [8G813V40389](#) [DVA.1-10-15-M4-10-70](#) [DVC.1-60-49-60-M10-28-55](#) [DVC.1-15-8,5-15-M4-10-40](#) [DVC.1-20-12-30-M6-18-40](#) [DVC.1-30-18-25-M8-20-40](#) [DVC.1-35-31-15-M8-20-40](#) [DVC.1-35-31-15-M8-20-70](#) [DVC.1-75-60-40-M12-37-70](#) [DVC.2-30-22-20-M8-20-55](#) [DVC.2-40-30-25-M8-23-55](#) [DVC.2-75-60-40-M12-37-55](#) [DVC.2-21-16-22-M6-18-40](#) [DVC.2-40-20-48-M8-23-40](#) [DVC.2-40-32-50-M8-23-40](#) [DVC.2-20-14-19-M6-18-70](#) [DVC.2-25-18-20-M6-18-70](#) [DVC.3-20-14-20-M6-40](#) [DVC.3-20-14-30-M6-40](#)