

# MODEL 43

## 3 mm Multi-Turn Sealed Surface Mount Cermet Trimming Potentiometer RoHS compliant



### MODELS AVAILABLE

J hook surface mount	43W
----------------------	-----

### ELECTRICAL<sup>1</sup>

Resistance Range	10 Ohm to 2 Megohms
Standard Resistance Tolerance	± 20%
Input Voltage, Maximum	200 Vdc or rms, not to exceed power rating
Power rating, Watts	0.125 @ 70°C, derating to 0 @ 150°C
End Resistance, Maximum	1% or 3 Ohms, whichever is greater
Actual Electrical Travel, Nominal	11 turns
Dielectric Strength	600 V AC
Insulation Resistance, Minimum	100 Megohms
Resolution	Essentially infinite
Contact Resistance Variation, Maximum	3% or 3 Ohms, whichever is greater
Temperature Coefficient of Resistance	±100 ppm/°C

### MECHANICAL

Mechanical Stop	Wiper idles
Torque, Maximum	2.5 in. oz.
Weight, Approx.	0.01 oz.
Wiper Position	Approx. 50%

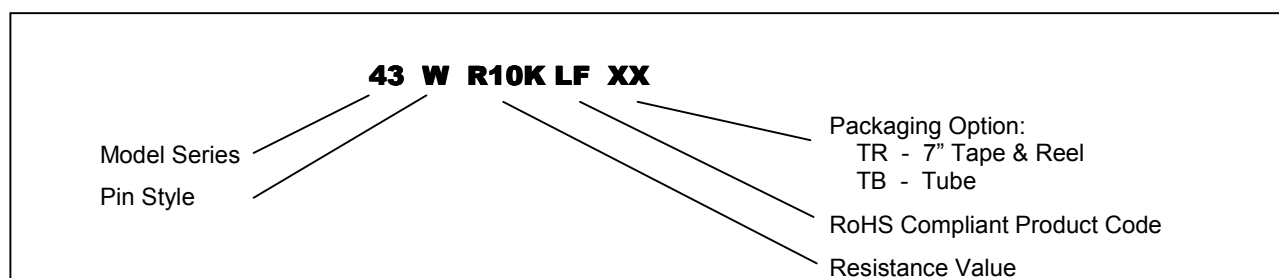
<sup>1</sup> Specifications subject to change without notice.

# MODEL 43

## ENVIRONMENTAL

Seal	85°C Fluorinert®
Operating Temperature Range	-65°C to +150°C
Thermal Shock, 5 cycles, -55°C to +125°C	2% ΔR, 2% ΔV Ratio max.
Moisture Resistance, Ten 24 Hour Cycles	3% ΔR
Shock, 6 ms Sawtooth 100G's	1% ΔR, 1% ΔV Ratio max.
Vibration, 20G's to 2000 Hz	1% ΔR, 1% ΔV Ratio max.
High Temperature Exposure, 250 Hours @ 125°C	2% ΔR, 2% ΔV Ratio max.
Rotational Life, 200 Cycles	3% ΔR
Load Life, 0.125W, 1000 Hours, 70°C	4% ΔR or 4 ohms which ever is greatest, 2% ΔV Ratio max.
Resistance to Solder Heat	260°C for 5 sec.

## ORDERING INFORMATION<sup>2</sup>



## PACKAGING INFORMATION

### Tape & Reel

Tape Width	12 mm
Sprocket Pitch	4 mm
Reel Diameter	7 inches
Quantity per Reel	500 units

### Tubes

Anti-Static Tubes, all units oriented with #1 pin to the same side	50 units per tube
--	-------------------

## STANDARD RESISTANCE VALUES, OHMS

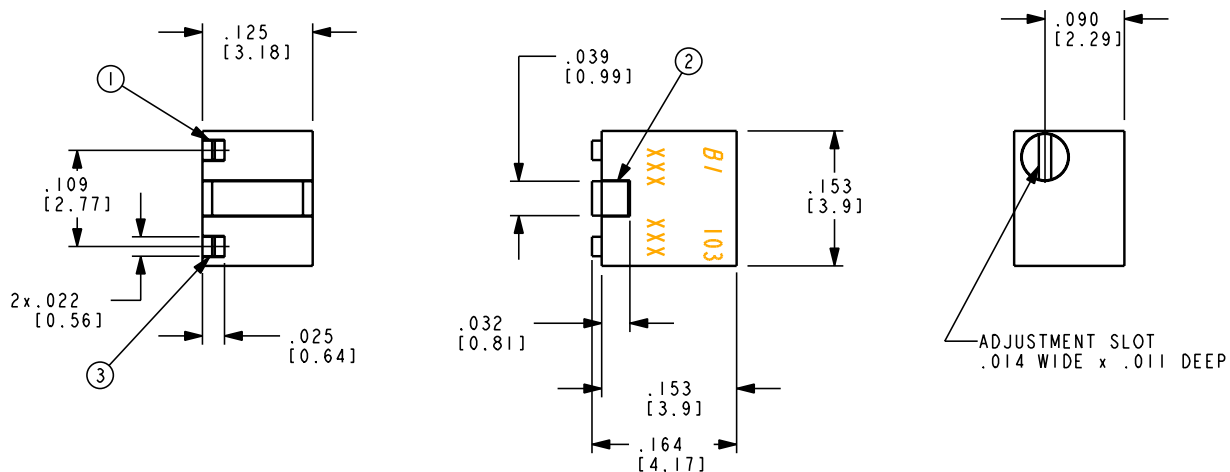
10	100	1K	10K	100K	1 Meg
20	200	2K	20K	200K	2 Meg
50	500	5K	50K	500K	

<sup>2</sup> Contact our customer service for custom designs and features.

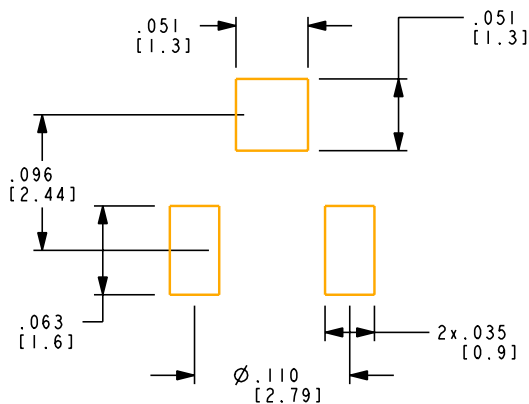
# MODEL 43

## OUTLINE DRAWING<sup>3</sup>

Model 43W

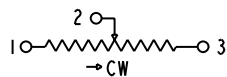


### RECOMMENDED PCB LAYOUT (INCH/mm)



DIMENSIONS ARE : INCHES (mm)  
TOLERANCES :  $\pm .010$  (.25) EXCEPT WHERE NOTED

## CIRCUIT DIAGRAM



<sup>3</sup> Dimensions are Inches (mm), Tolerances are  $\pm .01$  inch ( $\pm .025$  mm) unless otherwise stated.

## X-ON Electronics

Largest Supplier of Electrical and Electronic Components

*Click to view similar products for [TT ELECTRONICS](#) manufacturer:*

Other Similar products are found below :

[OPB482N11Z](#) [DST-1K098-003U-001REVJ](#) [CHP1501R00FLF](#) [898-3-R150K](#) [66XR10](#) [66XR200K](#) [66XR2K](#) [66XR50](#) [67WR1MEG](#)  
[67ZR200](#) [68WR5K](#) [68XR2MEG](#) [7216R500L.25](#) [72PXR10K](#) [72XR2.5K](#) [8109](#) [82PR25K](#) [84WR10KTR](#) [OP131](#) [OPB660N](#) [OPF430](#)  
[89XHR10K](#) [L083S222LF](#) [91XR5K](#) [SML100M12MSF](#) [PFC-W0805LF-03-2870-B](#) [2627](#) [RC55LF-D-196R-B-B](#) [3371R5KL.5](#) [HM00-01800](#)  
[3371R5KL.25](#) [L083C122](#) [040585XM](#) [6679-420-0](#) [OP133W](#) [OPB471T11](#) [OPB741WZ](#) [OPB743WZ](#) [OPB817Z](#) [OPB972T51](#) [7486R10KL.25](#)  
[WMHP100-50RF](#) [W23-15RJI](#) [RC55Y-11K3BI](#) [WH50-5R6JB006](#) [WH200-R10JI](#) [W31-560RJI](#) [HR0805F-1G55I](#) [LOB3R015FLF](#) [HM41-11510LF](#)