

SL Series Limit Switch



FEATURES

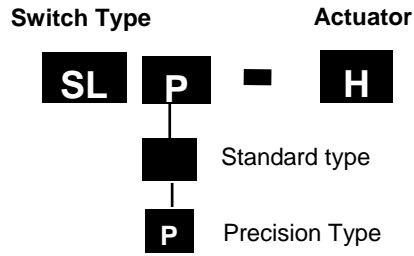
- Asia standard dimension
- Design for small mounting space.
- 10A current capacity
- Long mechanical life 1×10^7 operations
- Wide range of actuators available
- UL, cUL, CCC, CE approved
- IP65 (standard type) and IP67 (precision type) Rated
- Precision type SLP has built-in IP67 rated cable gland (also available in M12 quick connector type)



Applications:

- General Machinery
- Conveyer, Transportation Equipments
- Specialty Machinery
- Packaging Machinery

Selection guide




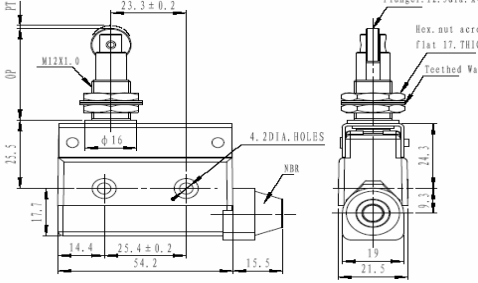

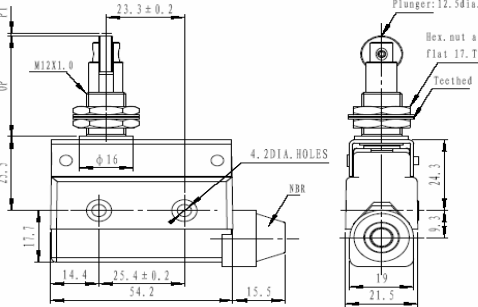

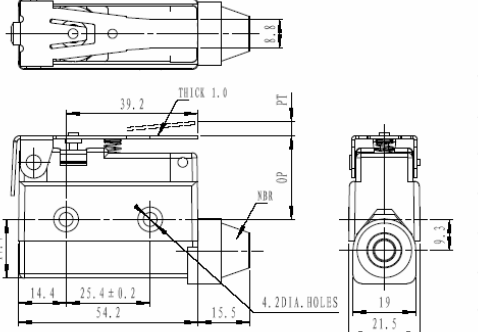

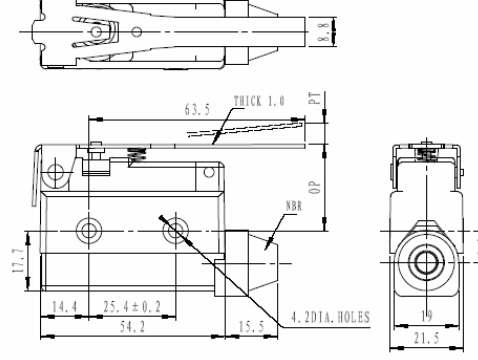
Characteristics

| | SL (standard type) | SLP (precision type) |
|--------------------------------|---|--|
| Contact Type, Contact Material | SPDT, Silver Alloy | SPDT, Silver Alloy (Gold plated contact available) |
| Actuator | See Selection guide | |
| Operating Speed | 0.05mm ~ 2m/s | 0.05mm ~ 0.5m/s |
| Operating Frequency | Mechanically: 120 ops/min, Electrically: 30 ops/min | |
| Rated Current/Voltage | 10A/250VAC (EN60947-5-1) | Silver: 5A/250VAC or 5A/30VDC Gold plated: 0.1A/250VAC or 0.1A/30VDC |
| Contact Resistance | <25mΩ (initial) | |
| Insulation Resistance | >100MΩ @ 500V DC | |
| Dielectric Strength | 1000VAC for 1 min between current carrying parts 2500VAC for 1 min between non-current carrying part | |
| Service Life | Mechanically: 5,000,000 ops Electrically: 500,000 ops at maximum rating | Mechanically: 5,000,000 ops Electrically: 500,000 ops at maximum rating |
| Shock | Free position: <10G, Maximum position: <30G | |
| Vibration | 10 to 55 Hz, 1.5 mm double amplitude (excluding spring coil type) | |
| Operating Temperature | -20 to 60°C | -30 to 80°C |
| Certification | CE, CCC, UL (E313809) | CE, CCC |
| Degree of Protection | IP64 | IP67 |

SL Series Limit Switch


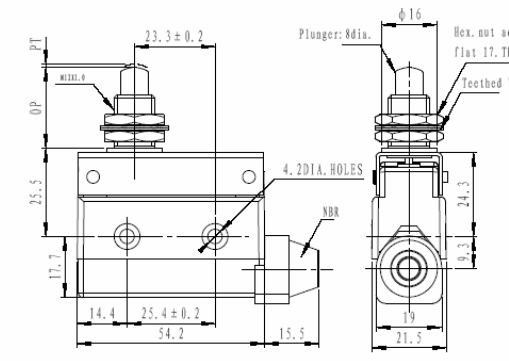

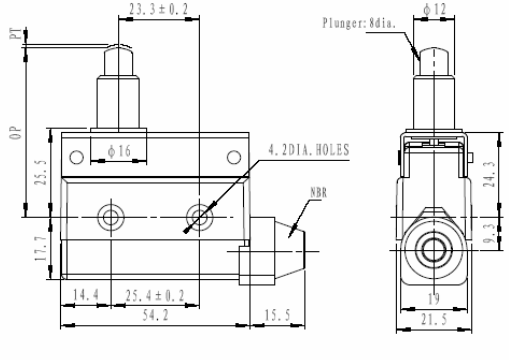

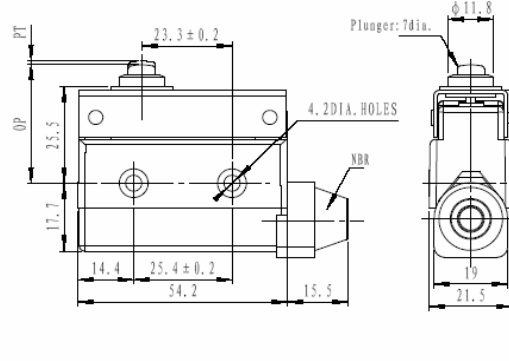

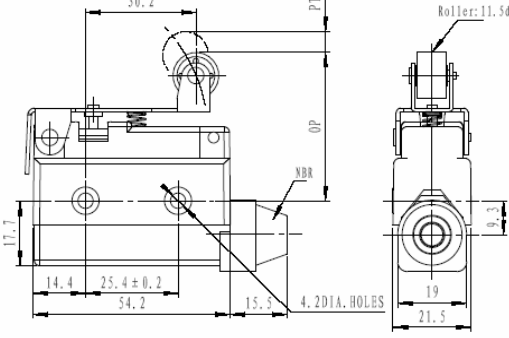


Dimensions and Operating Characteristics

| | | |
|---|--|--|
| <p><SL-A></p>  |  | <p>动作特性</p> <ul style="list-style-type: none"> ● OFmax 5.88N ● RFmin 0.98N ● PTmax 2.0mm ● OTmin 6.0mm ● MDmax 0.8mm ● FPmax 35.3mm ● OP 33.3 ± 1.2mm |
| <p><SL-A1></p>  |  | <p>动作特性</p> <ul style="list-style-type: none"> ● OFmax 5.88N ● RFmin 0.98N ● PTmax 2.0mm ● OTmin 6.0mm ● MDmax 0.8mm ● FPmax 35.3mm ● OP 33.3 ± 1.2mm |
| <p><SL-B></p>  |  | <p>动作特性</p> <ul style="list-style-type: none"> ● OFmax 2.16N ● RFmin 0.59N ● PTmax 8.5mm ● OTmin 2.5mm ● MDmax 2.0mm ● FPmax 33.5mm ● OP 25 ± 1.3mm |
| <p><SL-B1></p>  |  | <p>动作特性</p> <ul style="list-style-type: none"> ● OFmax 1.47N ● RFmin 0.39N ● PTmax 13.5mm ● OTmin 4.0mm ● MDmax 3.2mm ● FPmax 38.5mm ● OP 25 ± 2.0mm |

SL Series Limit Switch

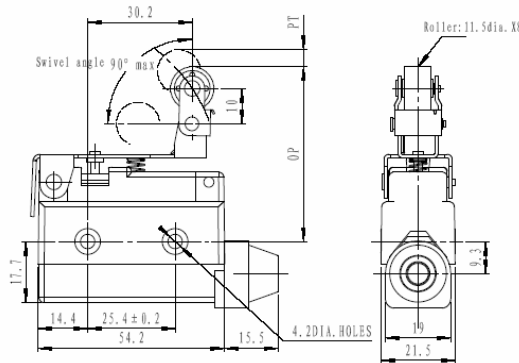


| | | |
|---|--|--|
| <p><SL-H></p>  |  | <p>动作特性</p> <ul style="list-style-type: none"> ● OFmax 5.88N ● RFmin 0.98N ● PTmax 2.0mm ● OTmin 6.0mm ● MDmax 0.8mm ● FPmax 23.8mm ● OP 21.8 ± 0.8mm |
| <p><SL-H1></p>  |  | <p>动作特性</p> <ul style="list-style-type: none"> ● OFmax 5.88N ● RFmin 0.98N ● PTmax 2.0mm ● OTmin 5.0mm ● MDmax 0.8mm ● FPmax 46mm ● OP 44 ± 1.2mm |
| <p><SL-H2></p>  |  | <p>动作特性</p> <ul style="list-style-type: none"> ● OFmax 5.88N ● RFmin 0.98N ● PTmax 2.0mm ● OTmin 0.8mm ● MDmax 0.8mm ● OP 30 ± 0.8mm |
| <p><SL-E></p>  |  | <p>动作特性</p> <ul style="list-style-type: none"> ● OFmax 2.35N ● RFmin 0.87N ● PTmax 6.5mm ● OTmin 2.0mm ● MDmax 1.5mm ● FPmax 46.5mm ● OP 40 ± 1.6mm |

SL Series Limit Switch

Honeywell

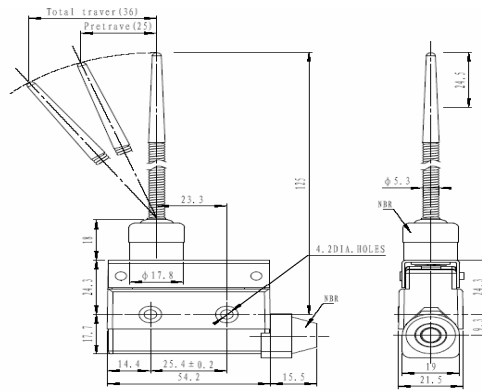
<SL-E1>



动作特性

- OFmax 2.75N
- RFmin 0.98N
- PTmax 6.5mm
- OTmin 2.0mm
- MDmax 1.5mm
- FPmax 56.5mm
- OP 50 ± 1.6mm

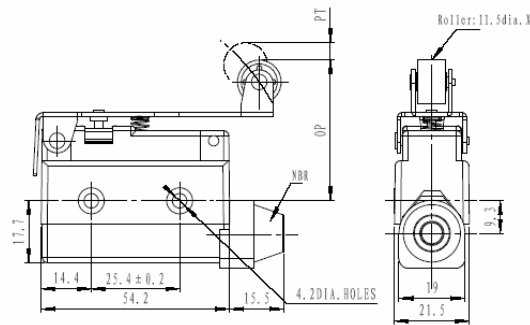
<SL-F>



动作特性

- OFmax 1.18N
- PTmax 25mm
- OTmin 11mm
- TTmax 36mm

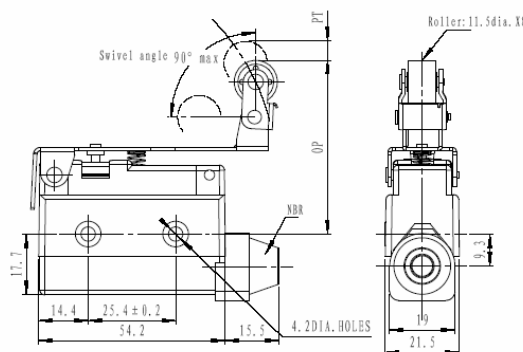
<SL-P>



动作特性

- OFmax 1.77N
- RFmin 0.49N
- PTmax 11.0mm
- OTmin 3.0mm
- MDmax 2.4mm
- FPmax 51.0mm
- OP 40 ± 1.9mm

<SL-P1>


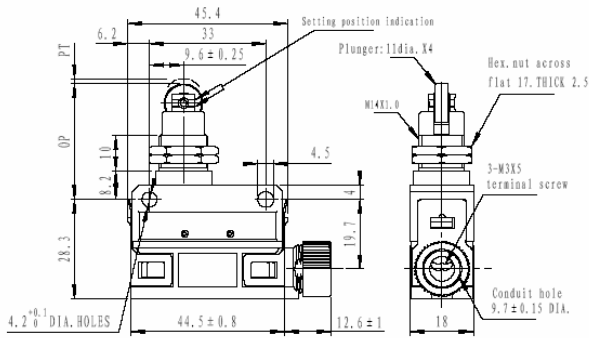

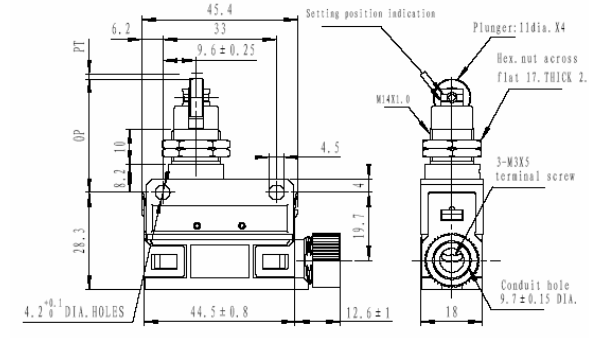

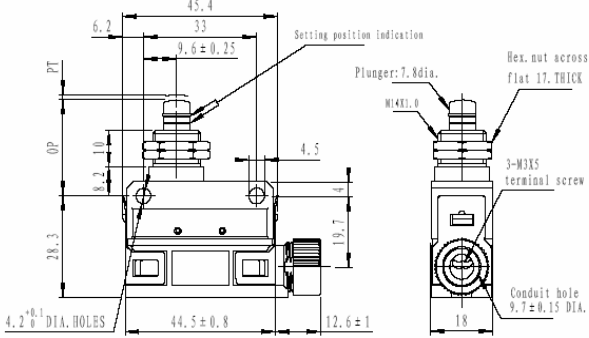

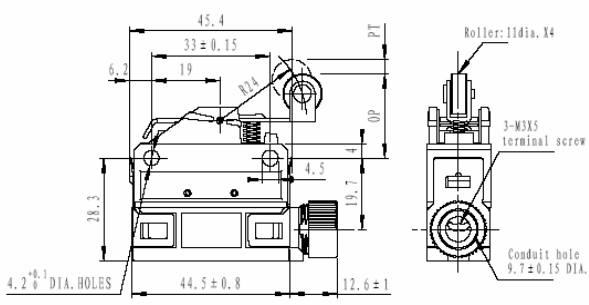


动作特性

- OFmax 2.16N
- RFmin 0.59N
- PTmax 11.0mm
- OTmin 3.0mm
- MDmax 2.4mm
- FPmax 61.0mm
- OP 50 ± 2.0mm

SL Series Limit Switch

Honeywell

| | |
|---|---|
| <p><SLP-A></p>  |  <p>Setting position indication Plunger: 11dia. X4 Hex. nut across flat 17. THICK 2.5 M4X1.0 3-M3XS terminal screw Conduit hole 9.7±0.15 DIA. 18</p> <p>动作特性</p> <ul style="list-style-type: none"> ● OFmax 11.8N ● RFmin 4.9N ● PTmax 1.5mm ● OTmin 3mm ● MDmax 0.1mm ● OP 31.4 ± 0.8mm |
| <p><SLP-A1></p>  |  <p>Setting position indication Plunger: 11dia. X4 Hex. nut across flat 17. THICK 2.5 M4X1.0 3-M3XS terminal screw Conduit hole 9.7±0.15 DIA. 18</p> <p>动作特性</p> <ul style="list-style-type: none"> ● OFmax 11.8N ● RFmin 4.9N ● PTmax 1.5mm ● OTmin 3mm ● MDmax 0.1mm ● OP 31.4 ± 0.8mm |
| <p><SLP-H></p>  |  <p>Setting position indication Plunger: 7.8dia. Hex. nut across flat 17. THICK 2.5 M4X1.0 3-M3XS terminal screw Conduit hole 9.7±0.15 DIA. 18</p> <p>动作特性</p> <ul style="list-style-type: none"> ● OFmax 11.8N ● RFmin 4.9N ● PTmax 1.5mm ● OTmin 3mm ● MDmax 0.1mm ● OP 25.4 ± 0.8mm |
| <p><SLP-E></p>  |  <p>Roller: 11dia. X4 3-M3XS terminal screw Conduit hole 9.7±0.15 DIA.</p> <p>动作特性</p> <ul style="list-style-type: none"> ● OFmax 4.0N ● RFmin 0.78N ● PTmax 2mm ● OTmin 4mm ● MDmax 0.3mm ● OP 23.1 ± 0.8mm |

X-ON Electronics

Largest Supplier of Electrical and Electronic Components

Click to view similar products for [Honeywell manufacturer](#):

Other Similar products are found below :

[87268-13](#) [BZLN-200-LH](#) [9811604](#) [986BAA05](#) [A47-15K](#) [GSCC07C](#) [450004083880002](#) [MLH025BSD14E](#) [VPR10F40K](#) [86932-B00000100-01](#) [66195074-001](#) [82000-11](#) [14CE16-3N28](#) [A47100K](#) [28006-01](#) [82CX2](#) [363X-2K](#) [AML22CBM3AA](#) [STV.2413-574-00262](#) [82412-81](#) [WLS1A01AA1A](#) [SC5E-4K](#) [AML31LBE4AC](#) [AML21LBE3BC](#) [AML54-E10L](#) [AML61ED4D](#) [VP25K800](#) [M00558-00](#) [HIH9120-021-001S](#) [MLH500PSL09A](#) [3500](#) [00270038](#) [2B5](#) [VC5E150](#) [614201](#) [91MCE2-P5](#) [HFD3023-500-BAA](#) [AML51-K10RR](#) [14CE102-6G](#) [PB-11635](#) [3455R](#) [00820509](#) [1PD1](#) [GLEB01A4J](#) [STA12](#) [AML51-H10B](#) [AML56-H10GY](#) [AML51-K10WW](#) [82014-11](#) [43192871-003](#) [ASDXRRX010ND7A3](#) [4A21BAA11](#)