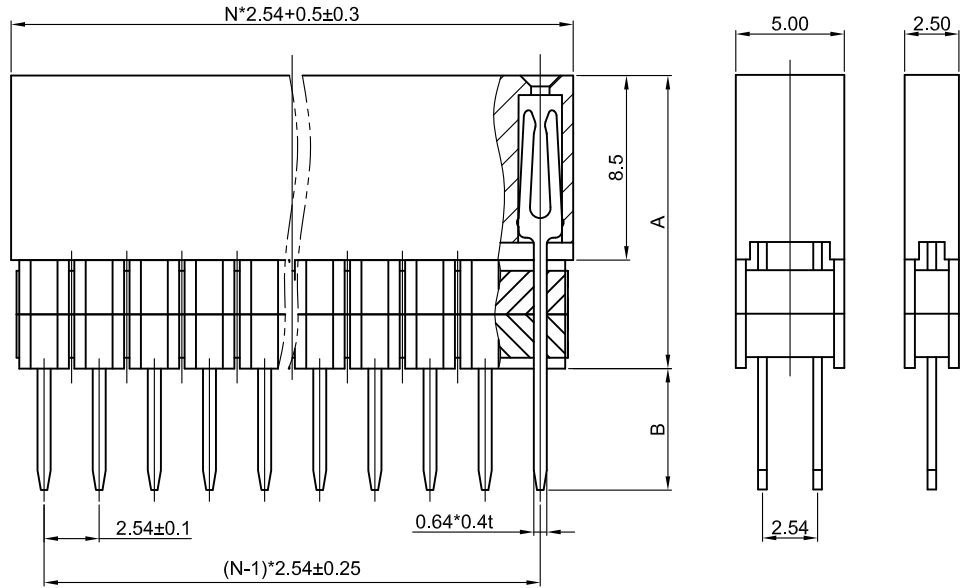


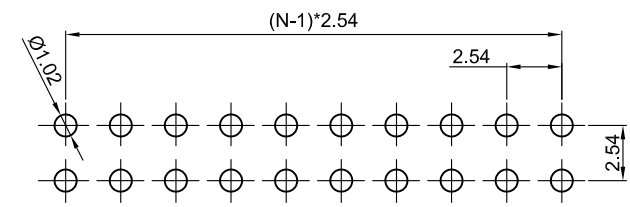
The information provided herein is from CONNPLY Electronic Co., Ltd. and is confidential. Any disclosure to a party other than the recipient is prohibited. The intellectual properties and its rights of CONNPLY Electronic Co., Ltd. are strictly protected without prior written consent from CONNPLY. All intellectual properties provided herein are for reference purposes only and does not constitute authorization of its use in any format or manner. CONNPLY may enforce its intellectual property rights at its own discretion; failures or delays to exercise such rights does not constitute a waiver of such rights.

1 2 3 4 5 6 7 8

REV.	DESCRIPTION	DRAWN	CHECKED	APPROVED
A	NEW RELEASE	YCH 03/07/07'		LJC 03/07/07'
B	PLATING CHANGE	JLZ 08/19/15'	HZW 08/19/15'	LJC 08/19/15'
C	DRAWING UPDATE	JLZ 12/27/18'		



N=NUMBER OF CONTACTS/2 (Double Row)  
 N=NUMBER OF CONTACTS (Single Row)



RECOMMEND PCB LAYOUT  
 (TOLERANCE=±0.05)

TYPE	Dimension	
	A	B
1	13.50	6.50
	X	X

Notes:

Specifications:

- Contact Resistance: 20mΩ Max.
- Insulation Resistance: 1000MΩ Min.
- Dielectric Withstanding Voltage: 600V AC(rms) For 1 Minute.
- Current Rating:3A.
- Voltage Rating:250V AC rms.
- Temperature: -40°C~+105°C.

Materials:

- Contact Material: Copper Alloy.
- Contact Plating: Gold Plating Over Nickel.
- Insulator Materials: PBT,Black,UL94-V0.

Product Number Code:

DS1023-05 - X X X X

- DIM. TYPE  
1:TYPE 1  
or A\*-\*B\*.\*
- CONTACT PLATING  
2: GOLD + NICKEL  
8: FULL GOLD FLASH
- HOUSING COLOR  
B: BLACK
- No.OF CONTACTS  
1x2-1x40  
2x2-2x40

GENERAL TOLERANCE		ANGLE TOLERANCE		PROJECTION		TITLE	Female Header 2.54mm V/T Stack Type	
X.	±0.60	X.	±5°	UNITS	mm	SHEET SIZE	A4	SERIES DS1023-05 SERIES
.X	±0.38	.X	±3°	晨翔电子有限公司 <b>CONNPLY CONNPLY ELECTRONIC CO. LTD</b>				
.XX	±0.25	.XX	±2°					
DRAWING TYPE		CUSTOMER						
SCALE		1:1	SHEET	1 OF 1				
DRAWING NO.		C-DS1023-05-XXXX-C						

1 2 3 4 5 6 7 8

# X-ON Electronics

Largest Supplier of Electrical and Electronic Components

*Click to view similar products for [Headers & Wire Housings](#) category:*

*Click to view products by [Comnfly](#) manufacturer:*

Other Similar products are found below :

[95000-104TRLF](#) [10135584-644402LF](#) [DF62W-EP2022PCA](#) [95000-106TRLF](#) [DF62W-2022SCA](#) [48050-002LF](#) [DF62W-EP2022PC](#) [2203348](#)  
[DF62W-2022SC](#) [1084018](#) [1029039](#) [1084017](#) [802-10-012-10-002000](#) [1112640](#) [1112639](#) [000-34000](#) [0008550134](#) [0009482033](#) [0009507031](#)  
[0009524054](#) [57102-F02-18ULF](#) [57102-S06-03LF](#) [57202-S52-04LF](#) [PCN6-15S-2.5E](#) [0039019024](#) [58102-G61-06LF](#) [582553-1](#) [0009485154](#)  
[0009508121](#) [0022285053](#) [0050291907](#) [018731A](#) [LY20-4P-DT1-P1E-BR](#) [02.125.8002.8](#) [60101931](#) [60598-1 \(Cut Strip\)](#) [M1625-3R/100](#) [61062-3](#)  
[61082-181009](#) [636-1427](#) [638009-1](#) [641938-9](#) [641991-4](#) [644168-1](#) [644827-2](#) [647662-1](#) [65039-019ELF](#) [65692-001LF](#) [65781-018](#) [65781-047](#)