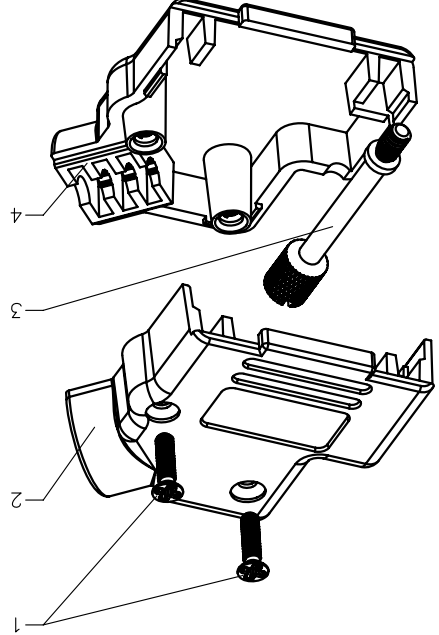
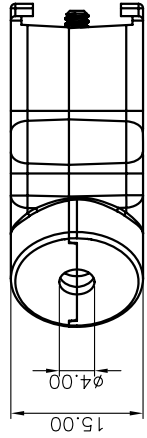
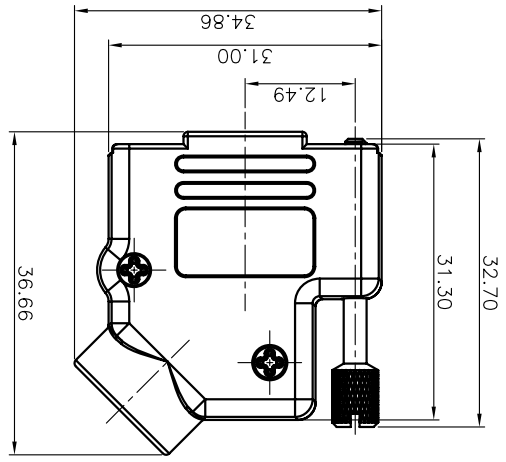
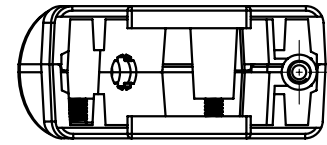
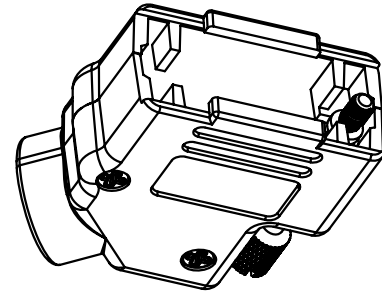


DRAWING NO. C-DS1047-04-09XX	
SCALE 1:1	SHEET 1 OF 1
DRAWING TYPE CUSTOMER	
GENERAL TOLERANCE X. ±0.60	ANGLE TOLERANCE X. ±5°
X. ±0.38	X. ±3'
.XX ±0.25	.XX ±2'

PROJECTION	TITLE	D-SUB 9pin Metal Hoods
UNITS	mm	Large Angled Cable Outlet
SHEET SIZE	A4	SERIES DS1047-04 SERIES



BOM LIST

ITEM	PART NAME	Q'ty	NOTES
1	SCREW	2	M2
2	METAL HOOD-1	1	
3	BOLT	1	UNC#4-40
4	METAL HOOD-2	1	

NOTES:

1. PART NUMBER CODE: DS1047-04 - 09 X X

Packing type

1: Mix packing

2: Separation packing

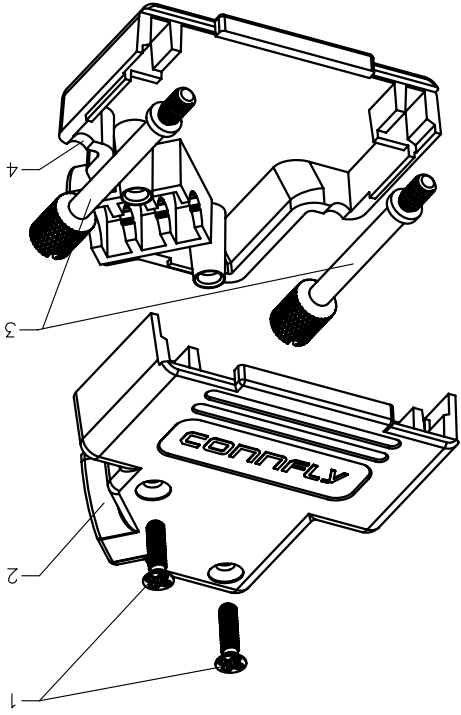
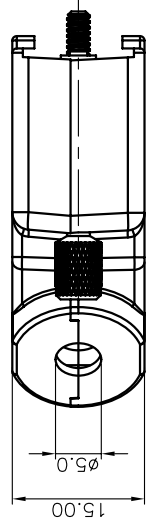
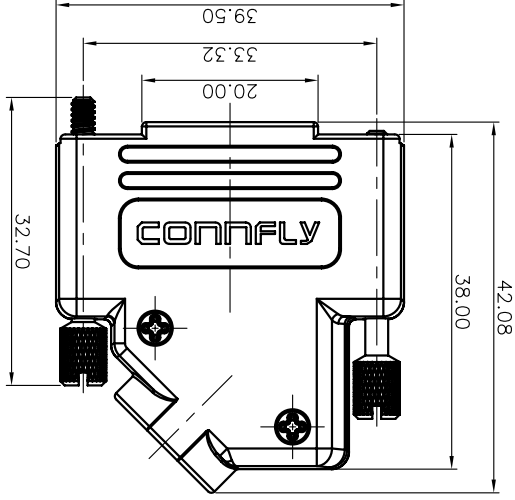
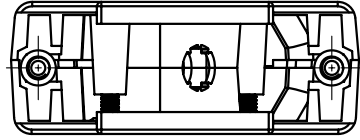
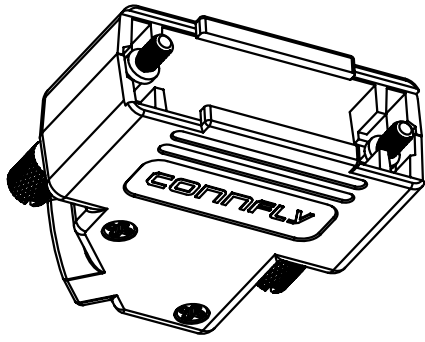
Cover Material

M: Metal(Znic alloy)

Positions

09: 9pin

REV.	DESCRIPTION	DRAWN	CHECKED	APPROVED
A	NEW RELEASE	YCH 12/31/09'		



BOM LIST

ITEM	PART NAME	Q'ty	NOTES
1	SCREW	2	M2
2	METAL HOOD-1	1	
3	BOLT	2	UNC#4-40
4	METAL HOOD-2	1	

1: Part Number Code: DS1047-04 - 15 X X  
 Packing type  
 1: Mix packing  
 2: Separation packing  
 Cover Material  
 M: Metal(Znic alloy)  
 Positions  
 15: 15pin

NOTES:

1. PART NUMBER CODE: DS1047-04 - 15 X X

REV.	DESCRIPTION	DRAWN	CHECKED	APPROVED
A	NEW RELEASE	YCH 12/31/09'		

GENERAL TOLERANCE

X. ±0.60  
 X. ±0.38  
 X. ±0.25

ANGLE TOLERANCE

X. ±5°  
 X. ±3°  
 X. ±2°

DRAWING TYPE CUSTOMER

SCALE 1:1 SHEET 1 OF 1

DRAWING NO. C-DS1047-04-15XX

晨翔电子有限公司  
 CONNPLY ELECTRONIC CO., LTD

PROJECTION



TITLE

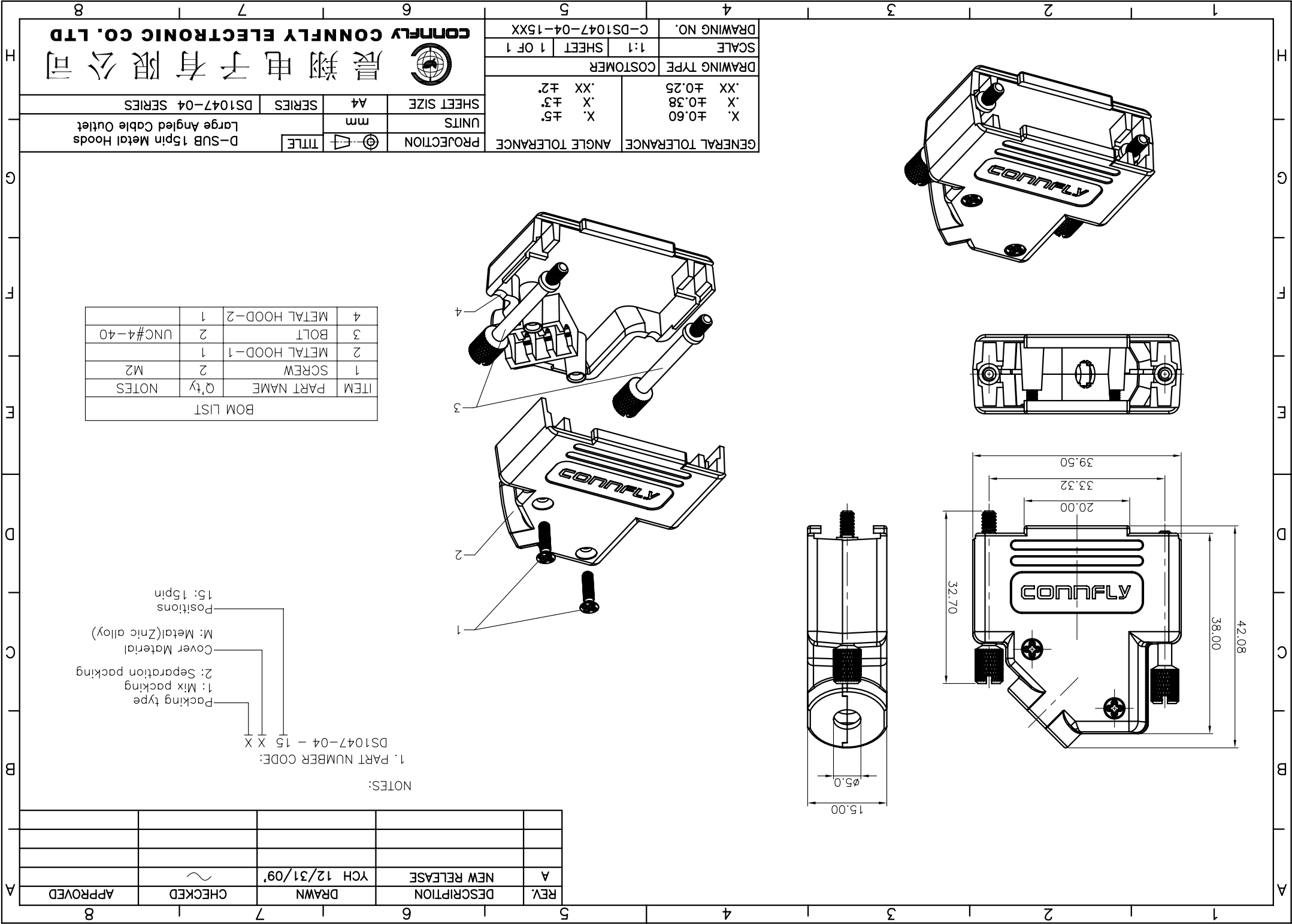
D-SUB 15pin Metal Hoods  
 Large Angled Cable Outlet

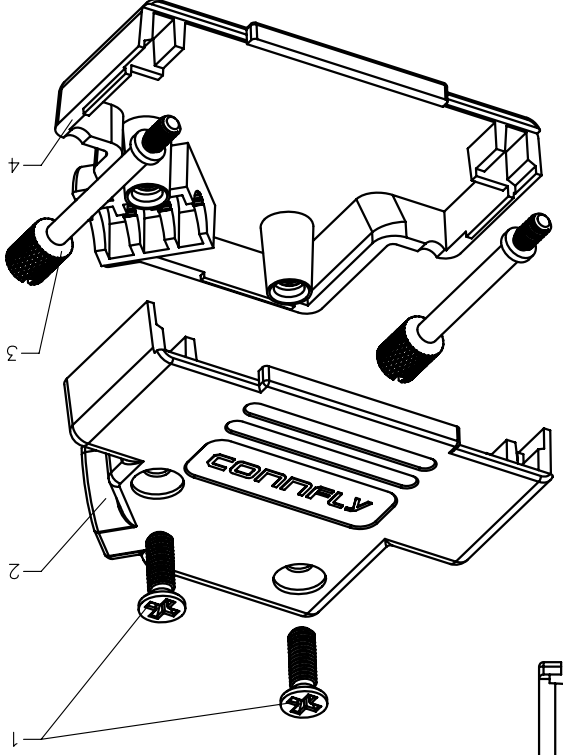
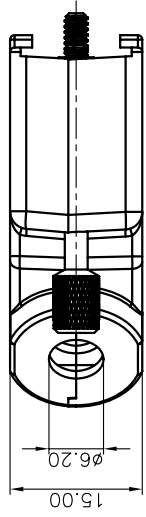
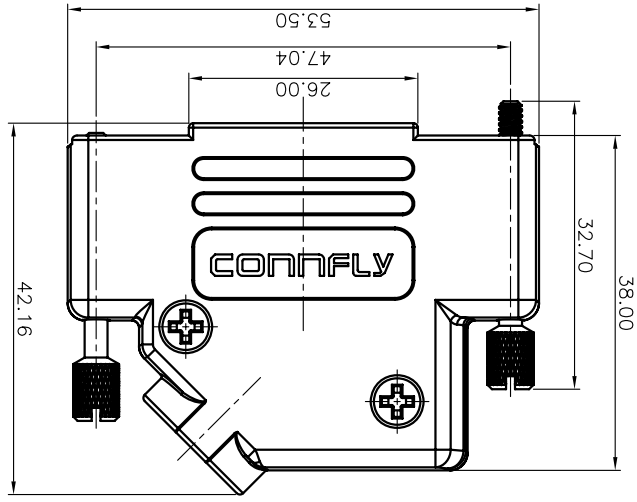
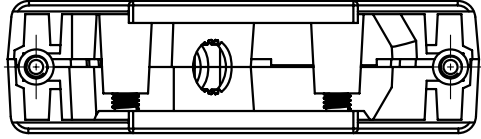
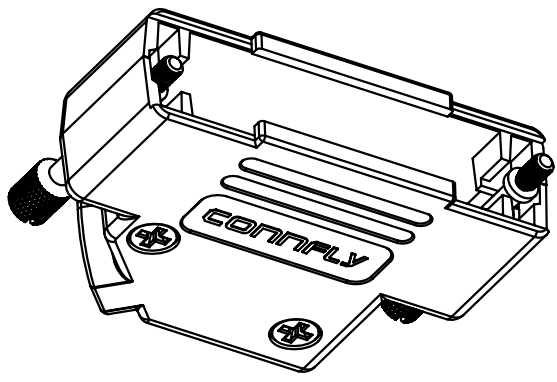
SHEET SIZE A4

SERIES DS1047-04 SERIES

UNITS mm

8





BOM LIST

ITEM	PART NAME	Q'ty	NOTES
1	SCREW	2	M3
2	METAL HOOD-1	1	
3	BOLT	2	UNC#4-40
4	METAL HOOD-2	1	

NOTES:

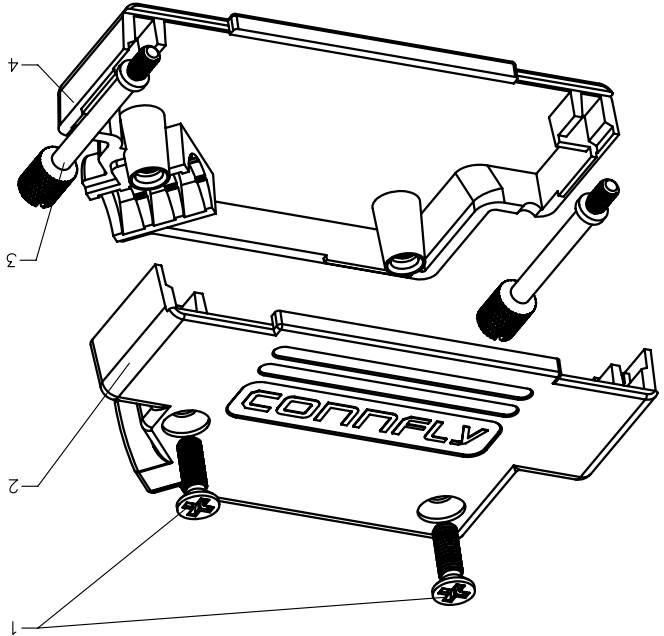
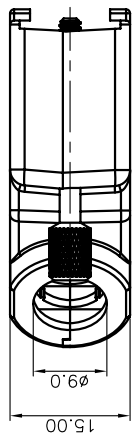
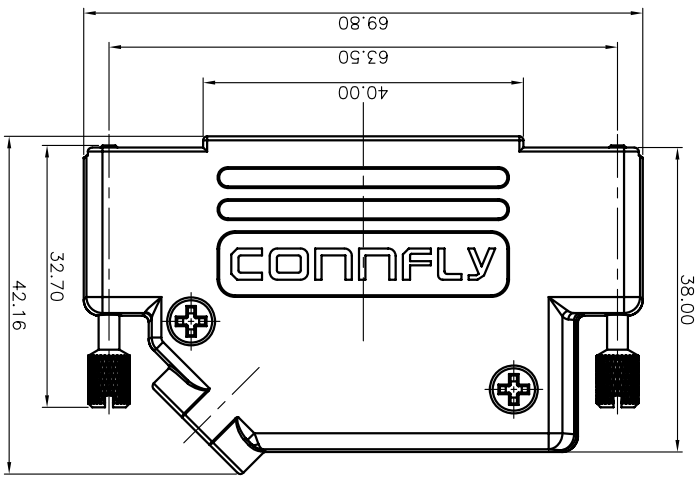
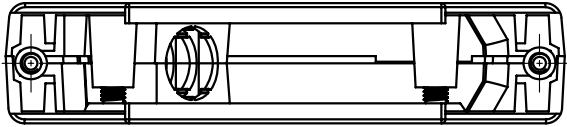
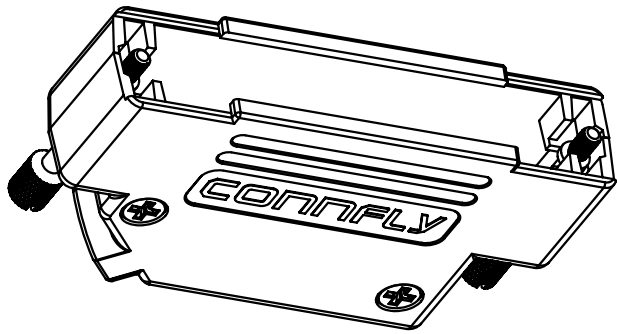
- PART NUMBER CODE: DS1047-04 - 25 X X
- Mix packing
- Separation packing
- Cover Material
- M: Metal(Znic alloy)
- Positions: 25: 25pin

GENERAL TOLERANCE		X. $\pm 0.60$	X. $\pm 0.38$	.XX $\pm 0.25$
ANGLE TOLERANCE		X. $\pm 5'$	X. $\pm 3'$	.XX $\pm 2'$
DRAWING TYPE		CUSTOMER		
SCALE		1:1 SHEET 1 OF 1		
DRAWING NO.		C-DS1047-04-25XX		

PROJECTION		UNITS		SHEET SIZE	
D-SUB 25pin Metal Hoods		mm		A4	
TITLE		SERIES		DS1047-04 SERIES	
LARGE ANGLED CABLE OUTLET		SERIES		DS1047-04 SERIES	

晨翔电子有限公司  
CONNPLY CONNPLY ELECTRONIC CO., LTD

REV.	DESCRIPTION	DRAWN	CHECKED	APPROVED
A	NEW RELEASE	YCH 12/31/09'		



BOM LIST

ITEM	PART NAME	Q'ty	NOTES
1	SCREW	2	M3
2	METAL HOOD-1	1	
3	BOLT	2	UNC#4-40
4	METAL HOOD-2	1	

NOTES:

1. PART NUMBER CODE: DS1047-04 - 37 X X

Packing type

1: Mix packing

2: Separation packing

Cover Material

M: Metal(Znic alloy)

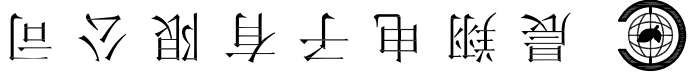
Positions

37: 37pin

REV.	DESCRIPTION	DRAWN	CHECKED	APPROVED
A	NEW RELEASE	YCH 12/31/09'		

GENERAL TOLERANCE		X. ±0.60
ANGLE TOLERANCE		X. ±5°
		X. ±3°
		.XX ±2°
DRAWING TYPE		CUSTOMER
SCALE		1:1 SHEET 1 OF 1
DRAWING NO.		C-DS1047-04-37XX

PROJECTION		UNIT	SHEET SIZE	SERIES	TITLE
D-SUB 37pin Metal Hoods		mm	A4	DS1047-04 SERIES	Large Angled Cable Outlet
CONFLY ELECTRONIC CO., LTD					



8

7

6

5

4

3

2

1

H

G

F

E

D

C

B

A

8

7

6

5

4

3

2

1

## X-ON Electronics

Largest Supplier of Electrical and Electronic Components

*Click to view similar products for [D-Sub Standard Connectors](#) category:*

*Click to view products by [Connfly](#) manufacturer:*

Other Similar products are found below :

[DCM37S732N](#) [DAM15P500](#) [DEV09S364GTLF](#) [DEM09P032N](#) [DDM50P732N](#) [DAM15S332N](#) [173109-2218](#) [173109-2466](#) [173109-2436](#)  
[173109-2435](#) [56F706-005-LI](#) [56F711-015](#) [015-0341-000](#) [015-0372-008](#) [015-8544-011](#) [017041-0005](#) [020419-0104](#) [012-0515-000](#) [012-9507-](#)  
[034](#) [012-9507-114](#) [012-9534-001](#) [020745-0008](#) [609-25P](#) [M24308/2-23Z](#) [M243082310F](#) [M243082410F](#) [M243082411F](#) [M24308/4-21](#)  
[CT1A18-11PSA206](#) [CT1N36-5SC](#) [CT2-16S-17PS](#) [CT2-20-15PCAU](#) [CT2-24-12PS](#) [CT2-24-28PSF127A206](#) [CT2-32-9PC](#) [CT6F9767-14-4-](#)  
[14S-5PC](#) [CT6FA10SL-4PS](#) [CT7-18-10SC](#) [CT7-18-10SCAU](#) [CT7-18-12SCAU](#) [CT7-18-1PC](#) [CT7-18-1PCAU](#) [CT7-18-21SCAU](#) [M83513/01-](#)  
[FC](#) [M83723/76W24619 L/C](#) [M85049/48-3-2F](#) [69001-865](#) [6STD09PCM99B70X](#) [6STD09SCM99B30X](#) [6STD09SCT99S40X](#)