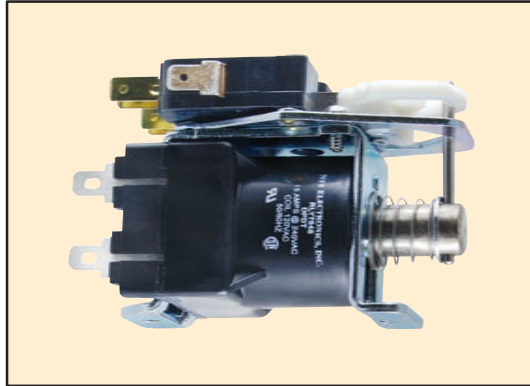
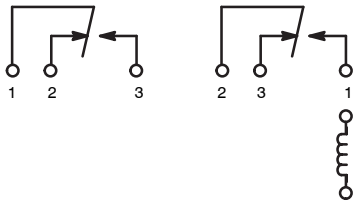


Features

- Quick Connect Terminals: .250" (6.35mm) or .187" (4.75mm)
Consult factory for actual stock (See Note under drawing)
- Multicontact
- Pulse Operation
- Power Saving



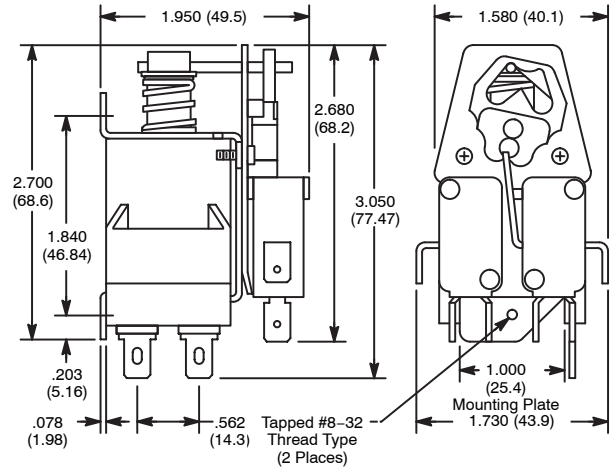
DPDT, 2 Form "C"



RLY76/77 Series

15 Amp, Bistable, DPDT, Impulse Relays.

D72



* Quick Connect Terminals May be either .250in or .187in.
Consult Factory for actual stock

Electrical Specifications

Contact

Rating: 15 Amp @ 125/250 VAC

Contact Horsepower Rating: 1/2 HP @ 125/250 VAC

Coil

Coil Voltages: See Chart

Resistance: See Chart

Operational Characteristics

Timing Value: . . . Operate Time: 75 mS min

Release Time: 75 mS min

Must Operate Voltage

AC Coil: 85% of nominal voltage @ +25°C

DC Coil: 75% of nominal voltage @ +25°C

Insulation Characteristics

Dielectric Strength

Initial Breakdown Voltage: 1500V RMS, 60Hz

Insulation Resistance: Class B (130°C)

Environmental Characteristics

Operating: -10°C to +60°C

Life

Mechanical: 100,000 operations

Electrical: 50,000 operations (under rated load)

Weight

Std: 7.75 oz (241 grams) approx.

AC OPERATED						
NTE Type No.	Nom. Volt.	Contact Arr.	Coil Res. Ohms (Typ)	Approx. Nom. Power	Max. Contact Cur. @ 28VDC 120VAC	Diag No.
RLY7643	24VAC	DPDT	9	9 VA	15A	D72
RLY7645	120VAC	DPDT	260	9 VA	15A	D72
DC OPERATED						
RLY7742	12VDC	DPDT	25	6.5W	15A	D72
RLY7743	24VDC	DPDT	90	6.5W	15A	D72

X-ON Electronics

Largest Supplier of Electrical and Electronic Components

Click to view similar products for NTE manufacturer:

Other Similar products are found below :

[747](#) [797](#) [868](#) [1724](#) [NEH680M50FE](#) [NEHH1.0M450CB](#) [NTE526A](#) [228A](#) [231](#) [954](#) [2023](#) [510](#) [WH20-04-25](#) [04-SLPE3750A](#) [5615](#) [591](#) [69-](#)
[36WW-WR-KIT](#) [7056](#) [7448](#) [NEH.10M50AA](#) [NEH2.2M63AA](#) [NEH330M35DD](#) [NEH33M10AA](#) [NEV.22M100AA](#) [NEV470M50FF](#)
[NTE133](#) [NTE542](#) [NTE74154](#) [R02-11A10-120H](#) [04-SCBW25L-BK](#) [04-SCBW6C-BK](#) [04-SCBW32L-BK](#) [04-SCW10C-BK](#) [04-SCBW19L-](#)
[GR](#) [04-SCW19L-WH](#) [04-SCW19L-OR](#) [04-SCW38L-WH](#) [04-SCBW50L-OR](#) [04-SCBW50L-GR](#) [04-SCW10C-GR](#) [04-SCW10C-OR](#) [04-](#)
[SCBW32L-GR](#) [04-SCBW32L-WH](#) [04-SCBW32L-OR](#) [04-SCBW6C-WH](#) [04-SCBW6C-GR](#) [04-SCBW6C-OR](#) [04-SCBW25L-GR](#) [04-](#)
[SCBW25L-WH](#) [04-ESNF-500L](#)