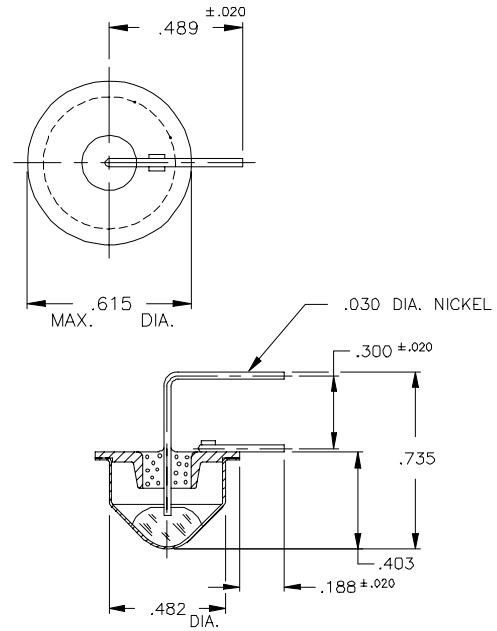


**Part No: T08-2010 – T08 Series
Tilt Switch - Mercury**



Features:

- * Un-Insulated
- * Form: NC/SPST/ Vertical Mount as shown
- * Angles Referenced from Vertical
- * Omni-Directional
- * Single Electrode
- * Hermetically Sealed
- * Small Package Size
- * High Current Capability
- * Low Contact Resistance
- * Long Life



Dimensions in inches

Tilt switches “make” when the electrode is tilted below horizontal and “break” when tilted above the horizontal. Total travel from “make” to “break” is the “Maximum included angle” shown below. The component to which the switch is attached must have a total tilt angle greater than the “Maximum included angle” for proper operation.

Must Make / Break Angle * :	55°
Maximum included Angle:	N/A
	* from vertical 0° reference
Switch Ratings:	
Max Switching Voltage	220V 60Hz
Max Switching Current	1.7A / 120V 60Hz; 0.75A / 220VAC ; 1A / 12VDC
Initial Contact Resistance (Max).	5 Ohms max (10mA at 5VDC)
Stand Off Voltage (contact to contact)	1240 V
Operating Temperature	-38° to 220° F / -38° to 105° C
Storage Temperature	-40° to 356° F / -40° to 180° C
Typical number of operations at specified load	10,000,000
G-Force Activation G-Level/Range	N/A
Dimensions:	
Weight per 100pcs. Lbs / Kgs:	0.77 / 0.35
Body Length (less leads). Inches / Millimeters:	0.403 / 10.2
Maximum Diameter. Inches / Millimeters:	0.615 / 15.6
Materials:	
Lead Wire Type	N/A
Lead wire length/skive/termination	N/A
Finish:	Tin



American Electronic Components Inc.,
 1101 Lafayette Street, Elkhart, Indiana. USA
 Tel: +1-574-295-6330 Fax: +1-574-293-8013
 Email: sales@aecsensors.com
<http://www.aecsensors.com>

© American Electronic Components Inc 2006

Specifications are subject to change without notice. E&OE.

T08-2010 210806

X-ON Electronics

Largest Supplier of Electrical and Electronic Components

Click to view similar products for [Durakool](#) manufacturer:

Other Similar products are found below :

[DG85B-8011-35-1012](#) [SDA3Z-30K-A](#) [4859](#) [DFC3-301](#) [DM84-2012-35-1012](#) [SDA1Z-40K-D](#) [DM85-2011-35-1012](#) [SRA3Z-60K-D](#) [DHS01](#)
[SDA1Z-15K-D](#) [SDA1Z-80K-A](#) [SDA1Z-80K-D](#) [SRA1Z-25K-D](#) [SDA3Z-30K-D](#) [DM84-2012-35-5012](#) [SRA3Z-80K-D](#) [DHS02](#) [SRA1Z-10K-](#)
[D](#) [SRA3Z-60K-A](#) [SRA1Z-40K-D](#) [A1/2-001](#) [SRA1Z-60K-A](#) [SRA1Z-40K-A](#) [SIM212-12VDC](#) [SRA1Z-10K-A](#) [A1B-003](#) [DG85B-](#)
[8021-96-1012-M1](#) [DM84-2012-35-1024](#) [DG85C-8021-75-1012](#) [SRA1Z-25K-A](#) [DG20-8011-35-1012](#) [SRA1Z-60K-D](#) [SRA1Z-100K-A](#) [5002](#)
[SRA2Z-40K-D](#) [SRA1Z-40L-A](#) [SRD-SGR2-M03](#) [DG85CM-5021-76-1012](#) [SRA1Z-15L-D](#) [DG85B-8011-96-1012-M1](#) [SIM112](#) [16VDC](#)
[SRA1Z-80K-A](#) [SRA1Z-25L-A](#) [DTP1](#) [SRA1Z-100K-D](#) [SRA1Z-15L-A](#) [SRA1Z-100L-D](#) [SRA1Z-25L-D](#) [SRA1Z-40L-D](#) [SRA1Z-60L-A](#)